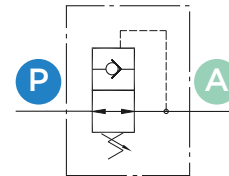
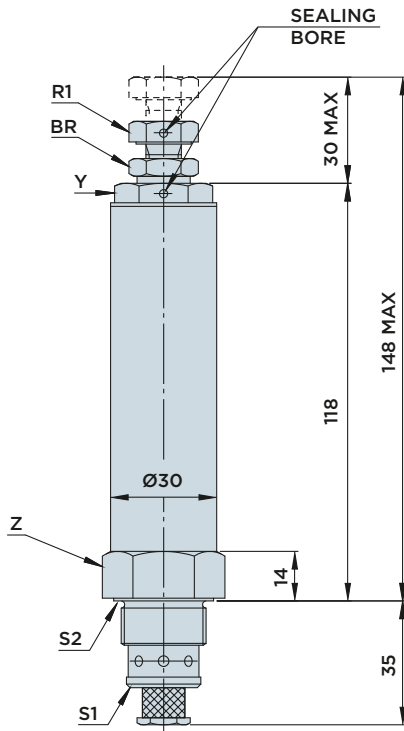


VRPC3-11

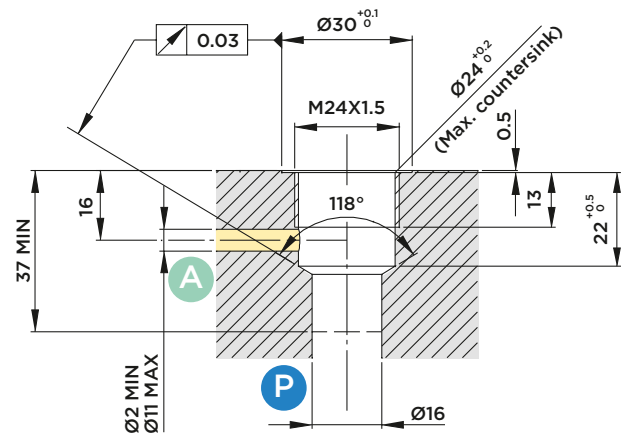
PRESSURE REDUCING VALVES

MAX. OPERATING PRESSURE = 500BAR - VALVE ADJUSTMENT RANGE = 30÷380 BAR

- Z:** Counter nut/valve block (SW 30)
- Y:** Key seat/valve body (SW 24)
- S1:** Sealing edge
- S2:** Sealing ring/counter nut
- R1:** Valve adjusting screw (SW 17)
- BR:** Counter nut/control (SW 17)

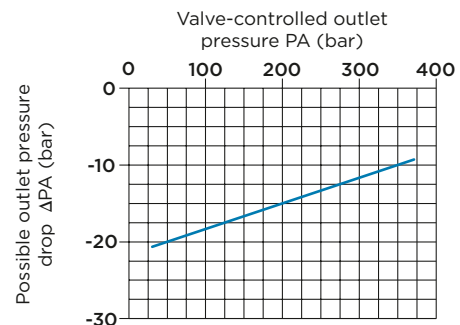


INSTALLATION DIMENSIONS



DIAGRAM

Possible PA pressure drop prior to pressure control



General instructions

This valve is used to provide a reduced constant outlet pressure at the “A” port as compared to the higher inlet pressure at the “P” port. If pressure increases are likely to occur at the “A” port, a pressure relief valve must be installed at this port.

Mounting instructions:

Before tightening the valve, unscrew the counter nut (AF=30 **Z**) completely. Tighten the valve body (AF=27 **Y**) with a torque of 70 Nm. Then tighten the counter nut (AF=30 **Z**) with a torque of 60 Nm. Proceed in reverse order for demounting.

ADJUSTMENT SEQUENCE

The pressure reducing valves of cartridge type VRP are designed as two way valves **WITHOUT DRAINAGE**. As soon as the set pressure is reached, the appropriate cone moves in closing position and with increasing pressure, stable closing is ensured as long as the pressure upstream from the valve is not released.

To adjust the set pressure, proceed as follows:

- 1) Loosen the BR counter nut in order to ensure free access to the R1 adjusting screw.

- 2) Pressurize the valve and check the set pressure downstream from the valve.
- 3) Release the pressure.
- 4) Turn the R1 adjusting screw clockwise or anticlockwise, i.e. turn it clockwise to reduce the set pressure and vice versa.
- 5) Pressurize the valve and check again the set pressure. Repeat the above steps until the desired pressure value is reached and tighten the BR counter nut.

NOTE HYDROBLOCK checks all products to 100% before shipment. If requested during order placement, HYDROBLOCK will deliver the valve with the pressure being set to the specified value.

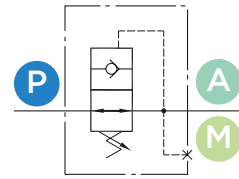


HYDROBLOCK

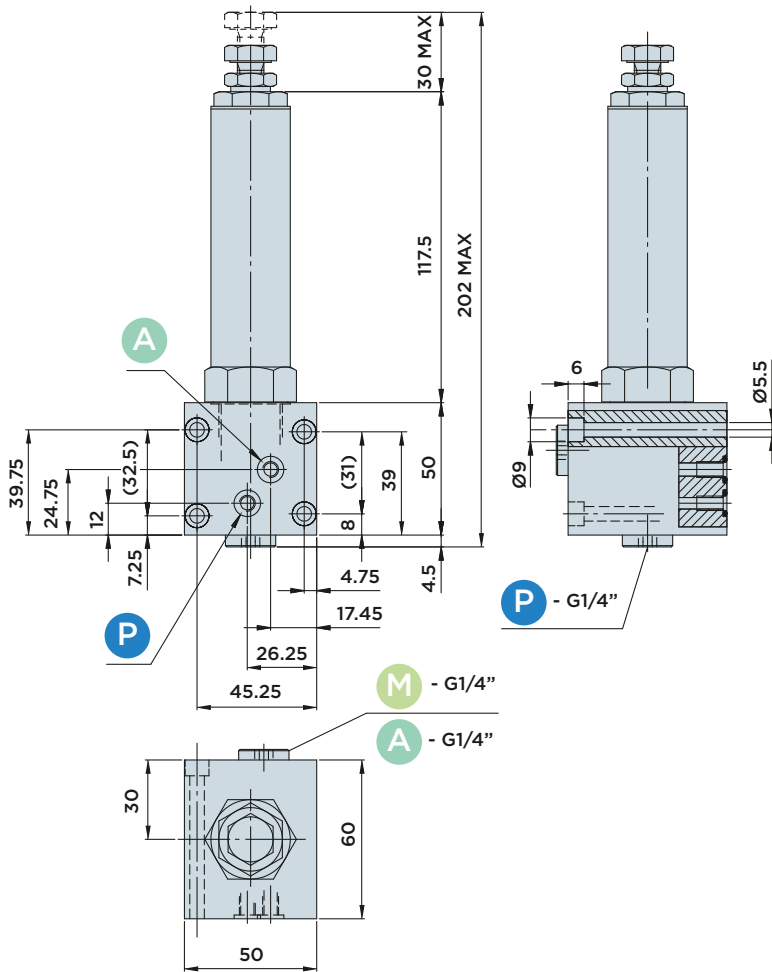
VRP3-11

PRESSURE REDUCING VALVES

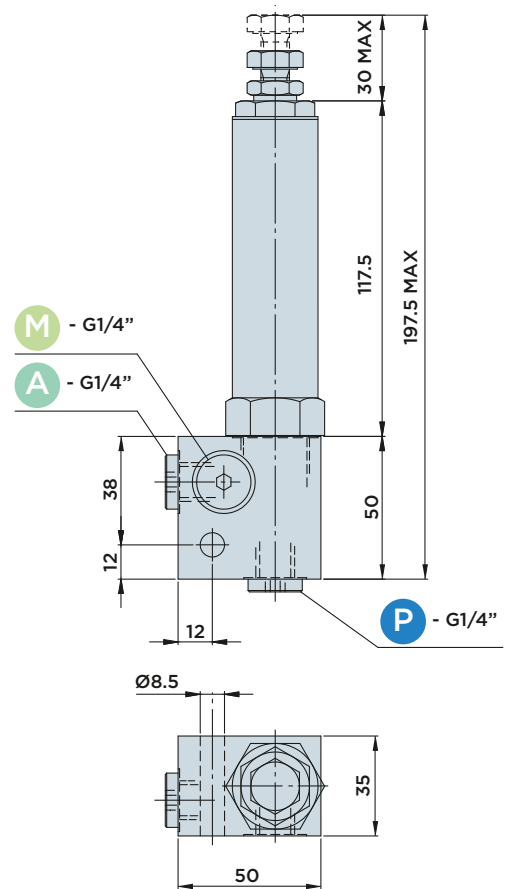
- A** : Reduced pressure outlet port
- P** : High pressure inlet port
- M** : Pressure gauge port



VRP3-11 M



VRP3-11 L



Included in the scope of supply:

- Mounting screws M5x65 DIN 912/12.9 grade
- O-rings Ø6.75x1.78
- G1/4" plug

Included in the scope of supply:

- Mounting screws M8x50 DIN 912/12.9 grade
- G1/4" plugs

VRPC3-11 M PRESSURE REDUCING VALVE

Mounting	In-line/flanged
Ports	Flanged with O-ring OR106 Ø6.75x1.78 or in-line with BSPP 1/4" ports
Maximum pressure	350 bar
Weight	1.6 Kg

VRPC3-11 L PRESSURE REDUCING VALVE

Mounting	In-line
Ports	In-line with BSPP 1/4" ports
Maximum pressure	350 bar
Weight	1.1 Kg



HYDROBLOCK