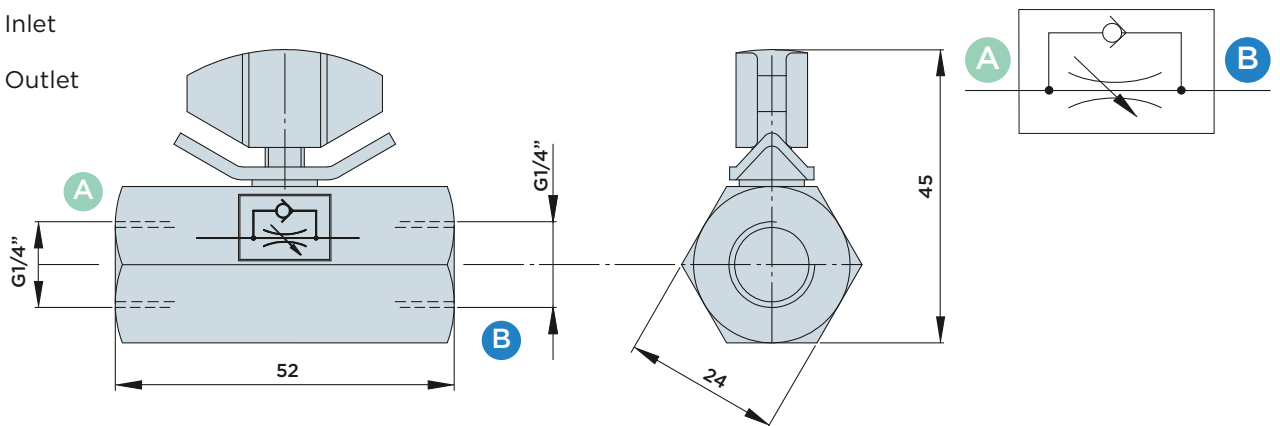


# HYDRAULIC COMPONENTS

## VRD11 THROTTLE CHECK VALVES - HAWE

A : Inlet

B : Outlet



### Technical description:

These valves are designed to control the oil supply flow rate from A to B to the application-specific requirements, while the oil return flow from B to A is free.

### Technical specifications:

- Max. flow rate: 12 l/min
- Max. pressure: 500 bar

