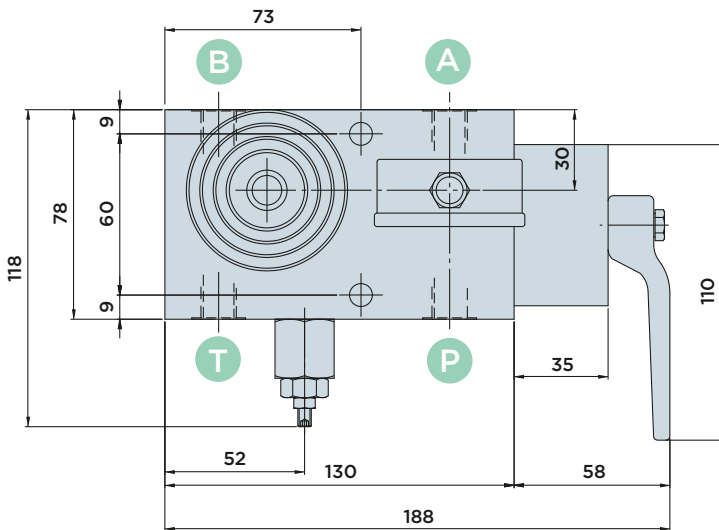
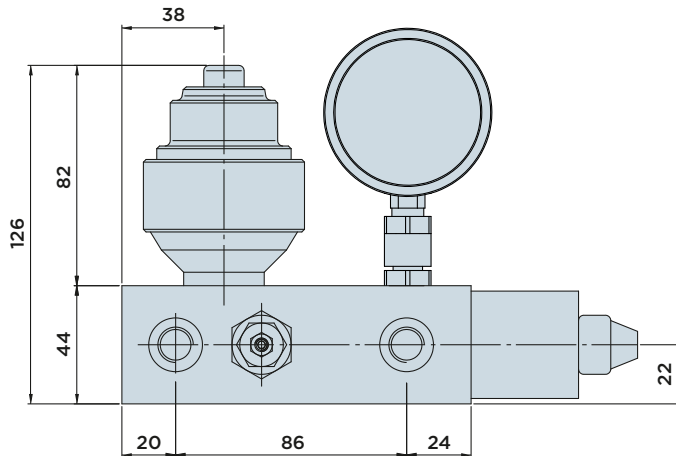


UAP100

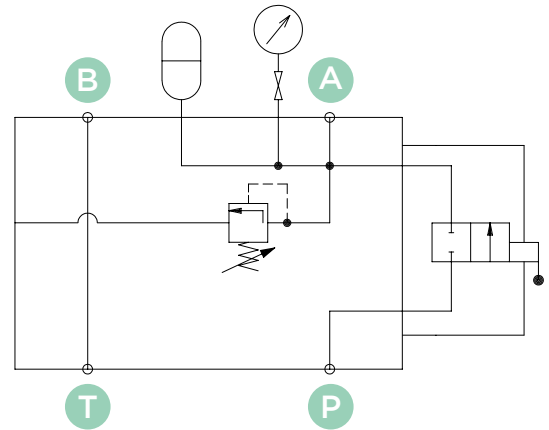
COUPLING UNIT, MANUAL OPERATION



Standard configuration of the UAP100 coupling unit:

- Pressure relief valve to protect the system against excess pressure
- Ball stop valve with manual lever operation
- Accumulator with a nominal volume of 0.040 litres and preloaded at 110 bar.
- Glycerine bath pressure gauge 0/250 bar.
- 1/4" BSPP ports

HYDRAULIC DIAGRAM



* Available with modular connections (O-Rings), order code: **UAP100-M**

Manually operated pressure coupling unit for single- and double acting cylinders. This unit is used when the clamping equipment is separated from the hydraulic pressure generator, i.e. for manufacturing systems with pallet change or when a single pressure generator is used for several clamping devices.

Material:

- Valve/cartridge body: Free machining steel, blued
- Internal parts: High-grade steel, tempered and ground
- Surface protection:
Valve body: Blued
Cartridge body: Zinc-plated

Note:

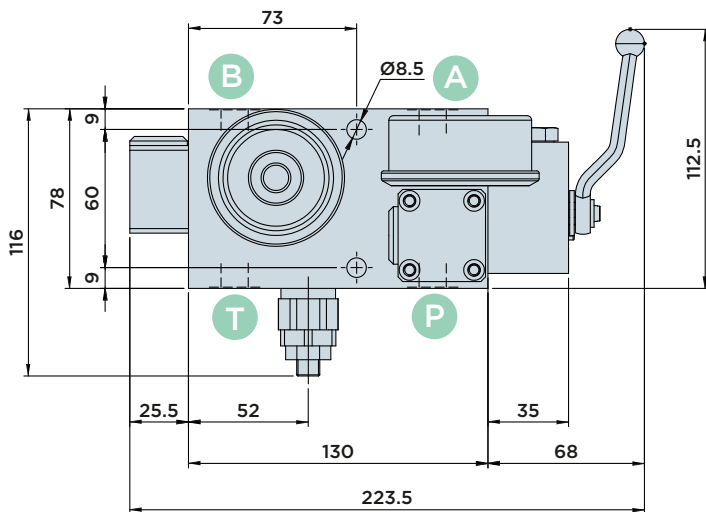
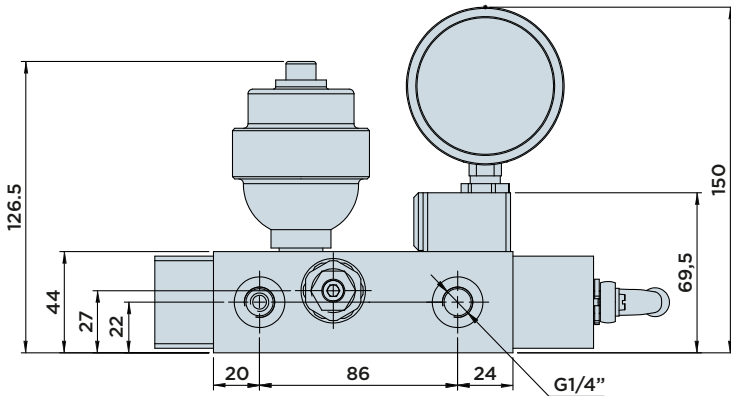
- Accumulators with larger volume are available upon request.
- Pressure gauges with different scale available upon request.



HYDROBLOCK

UAP100FM

COUPLING UNIT, MANUAL OPERATION



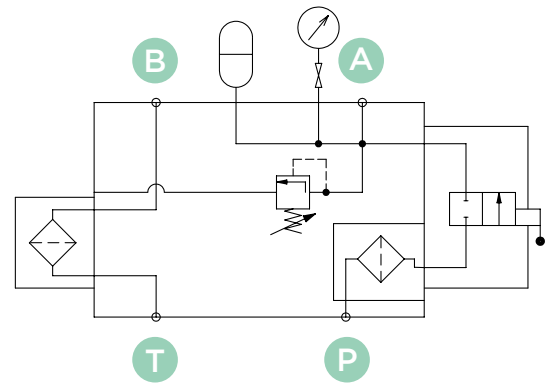
Standard configuration of the UAP100FM coupling unit:

- Pressure relief valve to protect the system against excess pressure
- Ball stop valve with manual lever operation
- Accumulator with a nominal volume of 0.040 litres and preloaded at 110 bar.
- Adjustable connection for pressure gauge
- Glycerine bath pressure gauge 0/250 bar.
- 1/4" BSPP ports
- 10 micron or 25 micron filters available on request

Ordering code:

- UAP100FM-10 (manually-operated coupling unit with 10 micron filter mesh size)
- UAP100FM-25 (manually-operated coupling unit with 25 micron filter mesh size)

HYDRAULIC DIAGRAM



The coupling unit UAP100FM evolves from the UAP100 unit and, with respect to the previous unit, there are 2 modular FIL14XXM filters installed; this ensures that the oil being sent to the users is clean, thus preventing any particles or shavings from being injected into the unit's clamping and unclamping lines.

Material:

- Valve/cartridge body: Free machining steel, blued
- Internal parts: High-grade steel, tempered and ground
- Surface protection:
Valve body: Blued
Cartridge body: Zinc-plated

Note:

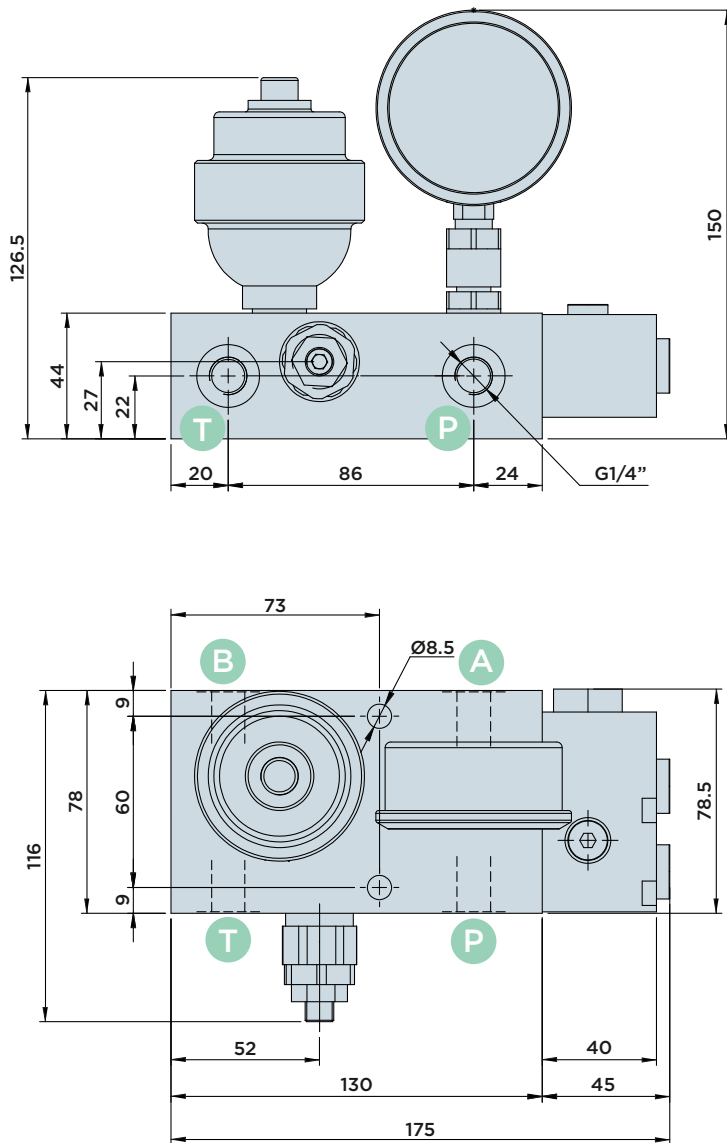
- Accumulators with larger volume are available upon request.
- Pressure gauges with different scale available upon request.



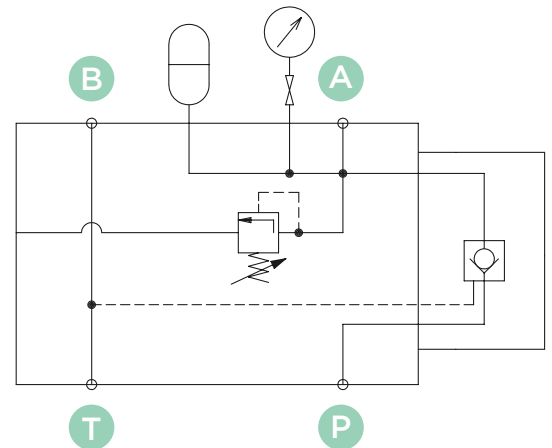
HYDROBLOCK

UAP100RPS

COUPLING UNIT WITH BUILT-IN HYDRAULICALLY PILOT-OPERATED CHECK VALVE



HYDRAULIC DIAGRAM



Standard configuration of the UAP100RPS coupling unit:

- Pressure relief valve to protect the system against excess pressure
- Hydraulically pilot-operated check valve with piloting ratio of 1:4
- Accumulator with a nominal volume of 0.040 litres and preloaded at 110 bar.
- Adjustable connection for pressure gauge
- Glycerine bath pressure gauge 0/250 bar.
- 1/4" BSPP ports

Thanks to the built-in hydraulically pilot-operated check valve, the operator needs not to perform any additional clamping/unclamping manoeuvres. Compared to unit UAP100, with this new unit, overpressures and water hammering - caused by the operator's failure to open the tap - are not possible and manual operations are faster.

Material:

- Valve/cartridge body: Free machining steel, blued
- Internal parts: High-grade steel, tempered and ground
- Surface protection:
Valve body: Blued
Cartridge body: Zinc-plated

Note:

- Accumulators with larger volume are available upon request.
- Pressure gauges with different scale available upon request.



HYDROBLOCK