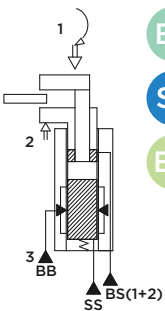


# SRA10.0 CD

DOUBLE-ACTING SWING CLAMP CYLINDER WITH **CARTRIDGE BODY**

MAX. OPERATING PRESSURE = 250BAR

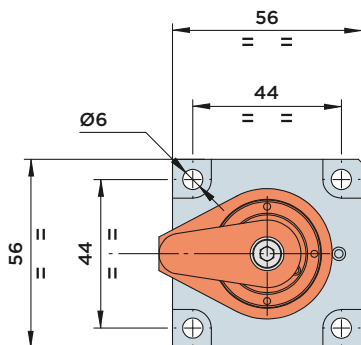
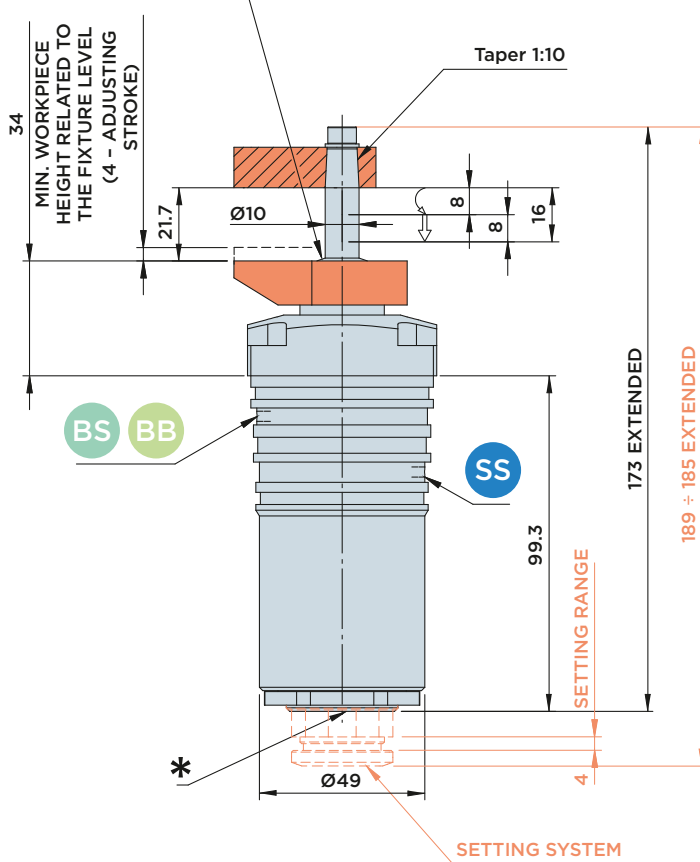


**BS** : Clamp arm clamping

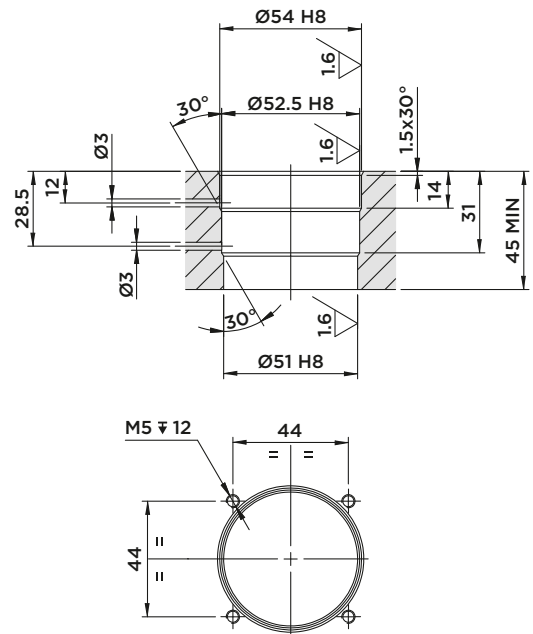
**SS** : Clamp arm unclamping

**BB** : Sleeve clamping

**METAL WIPER  
STANDARD EQUIPMENT**



## INSTALLATION DIMENSIONS WITH O-RING CONNECTION



\* Venting: We recommend installing a connection with a vent line leading into an area that is free from liquids and chips.

### Included in the scope of supply:

- Mounting screws M6x25 DIN 912/12.9 grade

### Material:

- Piston/rod: Case-hardened steel, ground
- Body: Free machining steel, nitrocarburized

### Note:

Max. admissible flow rate: 2,5 l/min  
Clamping force diagram, see page 217  
To adjust the setting system see page 211

STROKE mm		EFFECTIVE PISTON AREA		TOTAL OIL VOLUME	
		Cm <sup>2</sup>		Cm <sup>3</sup>	
<b>TOTAL</b>	16	CLAMP.	UNCLAMP.	CLAMP.	UNCLAMP.
SWINGING	8	0.75	1.54	1.2	2.5
CLAMPING	8				



**HYDROBLOCK**

