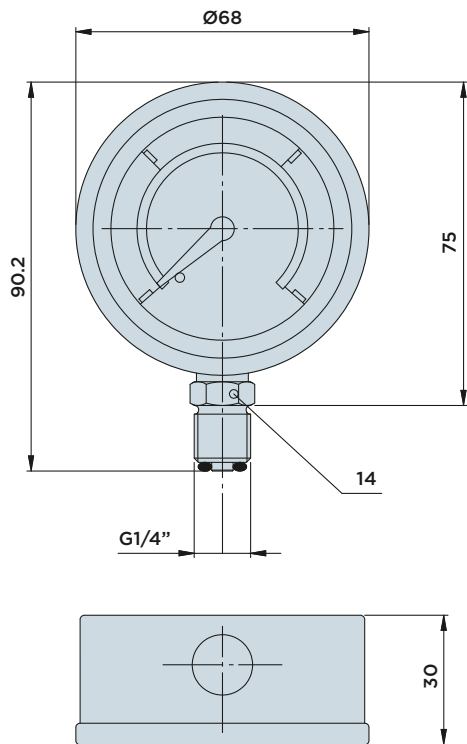


HYDRAULIC COMPONENTS

MAN-R PRESSURE GAUGES



Technical description:

Radial pressure gauges in glycerine bath. Stainless steel case.

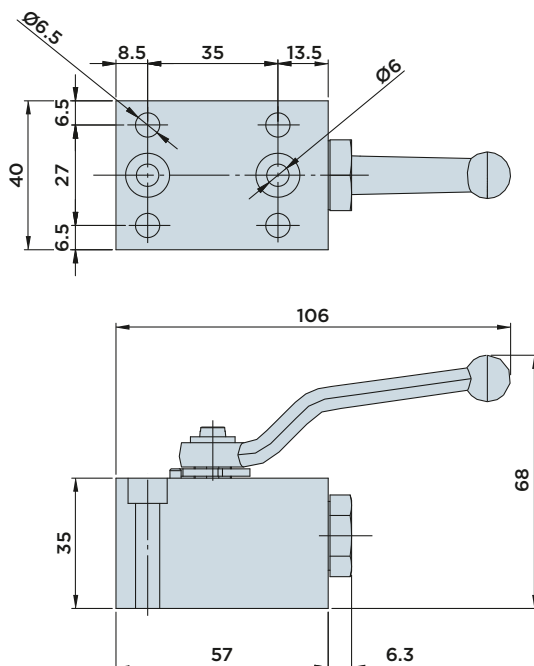
ATTENTION:

Make sure not to exceed the indicated pressure range in order to avoid irreparable damage to the pressure gauge.

We recommend using a pressure gauge with a pressure range that exceeds the maximum hydraulic pressure in the circuit by 25%.

TYPE	Pressure display (bar)
MANR 100	0 ÷ 100
MANR 160	0 ÷ 160
MANR 250	0 ÷ 250
MANR 400	0 ÷ 400

RUB-M-6S MODULAR VALVES MAX. OPERATING PRESSURE= 500 BAR



Technical description:

The precise execution of seats and slide ensure perfect tightness under pressure. These valves are designed for in-line mounting and can be installed in any position.

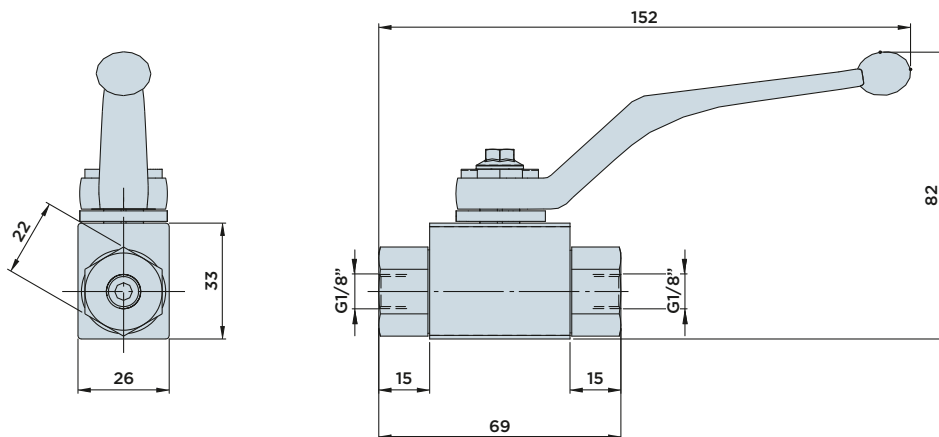
Material:

- Valve body: Free machining steel, nitrocarburized
- Slide: High-grade steel, tempered
- Hand lever: Light alloy



HYDRAULIC COMPONENTS

RUB-L 1/8 BALL VALVES MAX. OPERATING PRESSURE= 500 BAR



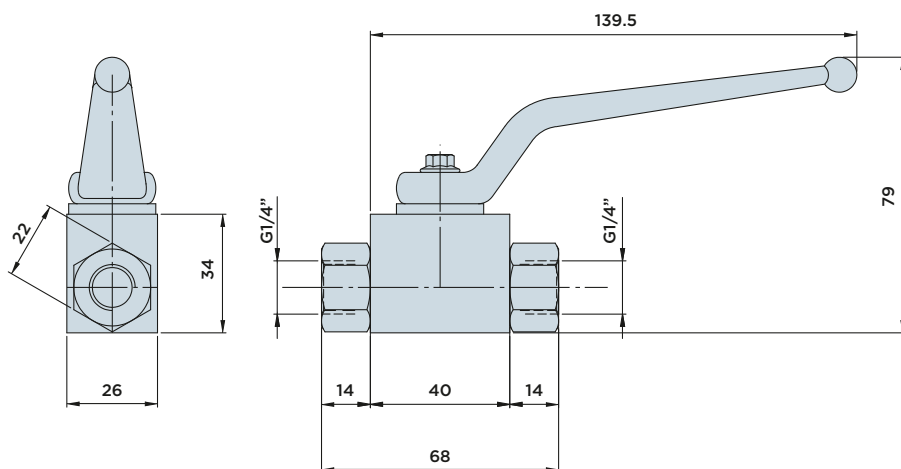
Technical description:

The precise execution of seats and slide ensure perfect tightness under pressure. These valves are designed for in-line mounting and can be installed in any position.

Material:

- Valve body: Free machining steel, nitrocarburized
- Slide: High-grade steel, tempered
- Hand lever: Light alloy

RUB-L 1/4 BALL VALVES MAX. OPERATING PRESSURE= 500 BAR



Technical description:

The precise execution of seats and slide ensure perfect tightness under pressure. These valves are designed for in-line mounting and can be installed in any position.

Material:

- Valve body: Free machining steel, nitrocarburized
- Slide: High-grade steel, tempered
- Hand lever: Light alloy

