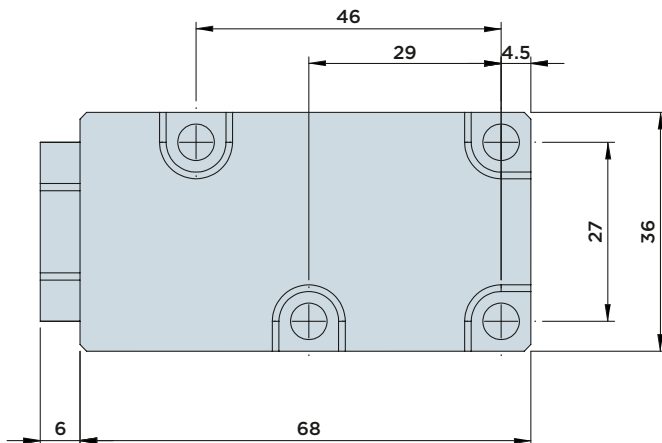
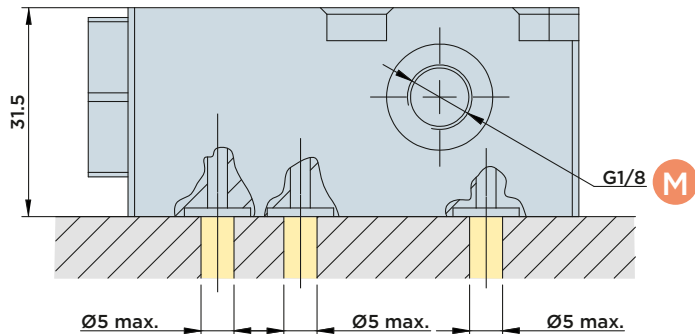
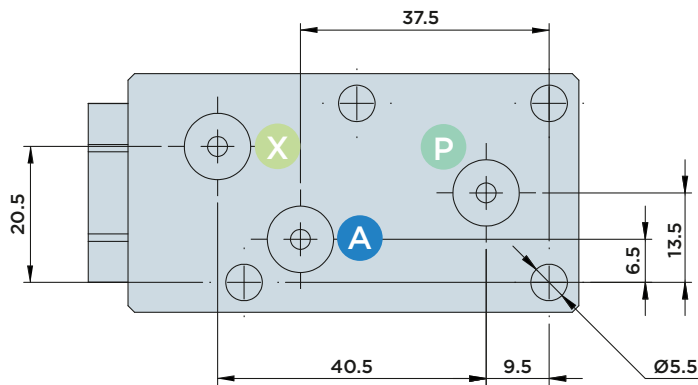
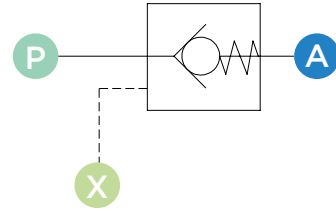


# RPS08-M

SIMPLE HYDRAULICALLY PILOT-OPERATED CHECK VALVE

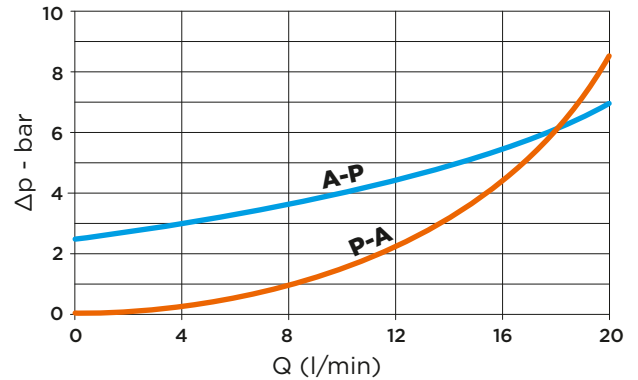
MAX. OPERATING PRESSURE = 350BAR

- P : Inlet
- A : Outlet
- X : Pilot
- M : Pressure gauge port



## PRESSURE DROP CURVE

Oil viscosity 24 mm<sup>2</sup>/sec. (3,5°E)  
Temperature 50°C



### General data:

Hydraulic release block valves have free flow from **P** to **A** e flow blocked in the opposite direction that can be unlocked by entering oil under pressure in pilot port **X**

### Included in the scope of supply:

- Mounting screws M5x35 DIN 912/12.9 grade
- Plug G1/4"
- O-Rings Ø6.75x1.78

### Material:

- Body: Free machining steel, nitrocarburized

## PILOT-OPERATED CHECK VALVE

<b>Fixing</b>	Flanged with O-Ring Ø6.75x1.78
<b>Max. Operating Pressure</b>	350 bar
<b>Weight</b>	0,5 Kg
<b>Rated flow</b>	20 l/min
<b>Pilot ratio</b>	1:4



HYDROBLOCK