

# MLP450

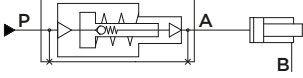
HYDRAULIC INTENSIFIER

MAX. OPERATING PRESSURE = 500BAR

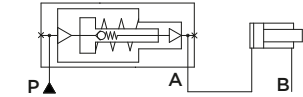
**A** : Outlet port

**P** : Inlet port

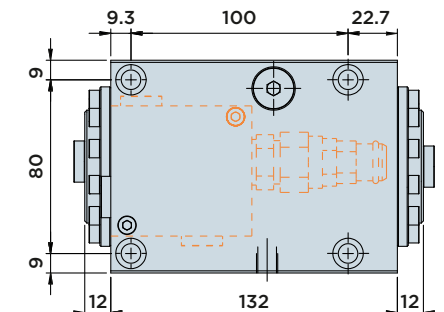
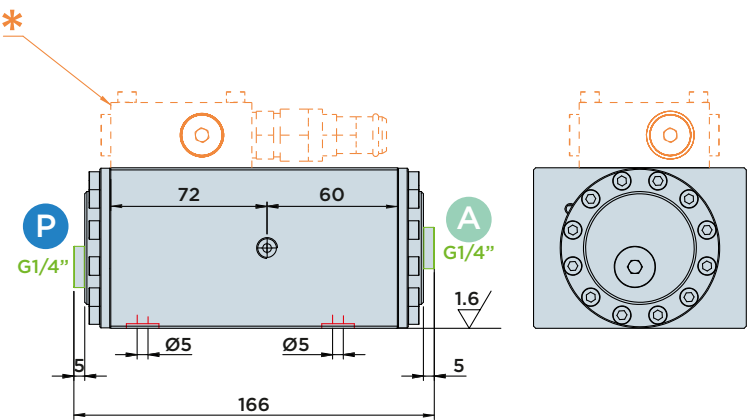
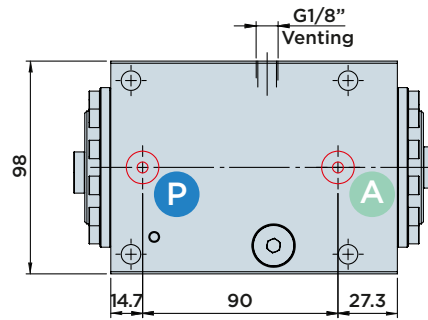
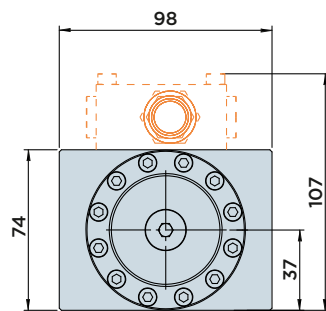
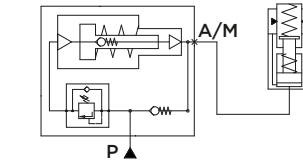
MLP450L



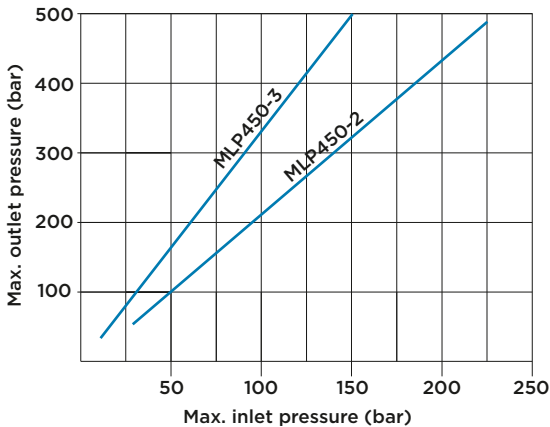
MLP450M



MLP450MS



\*: VSQM30-20 (50-220 BAR)  
Cartridges with other settings are available upon request (see page 426).  
Order no. MLP450MS-xx (05, 10 or 35).



The MLP hydraulic intensifier converts the low working pressure of the hydraulic power unit into the higher pressure to satisfy the application requirements. The compact hydraulic intensifier is easy to mount and available with two different multiplication ratios and a maximum outlet pressure of 500 bar. Single-acting operation with spring return. Equipped with an appropriate directional control valve, the MLP intensifier is suitable for single or double-acting hydraulic cylinders.

**Note:**

The MLP intensifier supplies a constant nominal flow capacity. Please contact HYDROBLOCK for complex hydraulic circuits or applications with high cylinder capacity.

TYPE OF PRESSURE INTENSIFIER	MLP 450-2	MLP 450-3
Multiplication ratio	1:2.1	1:3.3
Effective oil volume (cm <sup>3</sup> )	40	25.4
Max. inlet pressure (bar)	238	151.5
Max. flow rate	2 lt/min	
Max. operating pressure (bar)	500	
Temperature range (°C)	10÷60	
Filter mesh	25 micron (o or better)	



HYDROBLOCK