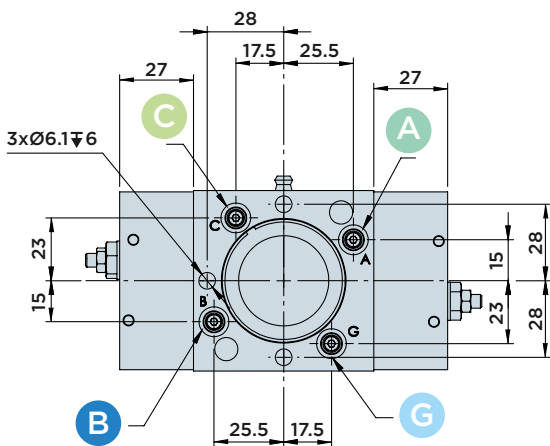


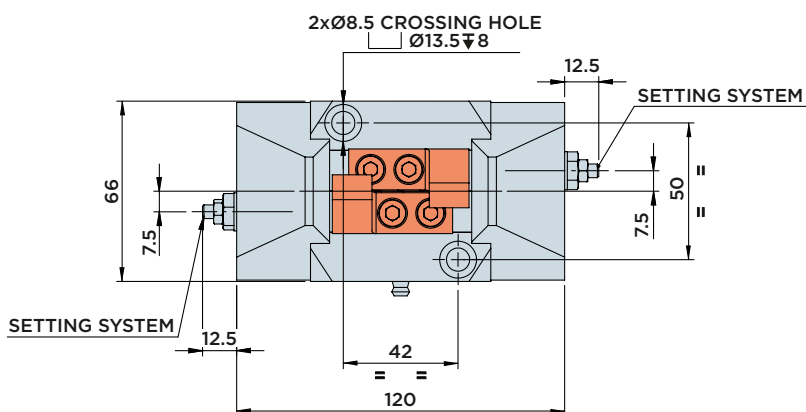
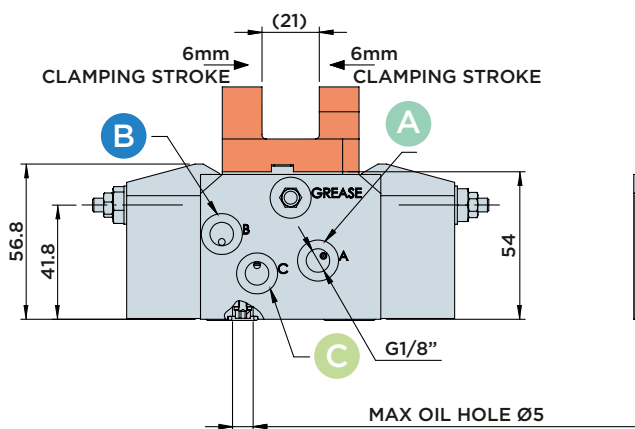
MA120-7S

FLANGED SELF-ADJUSTING DOUBLE ACTING PRECISION CLAMP WITH **TWO INDEPENDENT MOVABLE JAWS EQUIPPED WITH SETTING SYSTEM** MAX. OPERATING PRESSURE = 250BAR

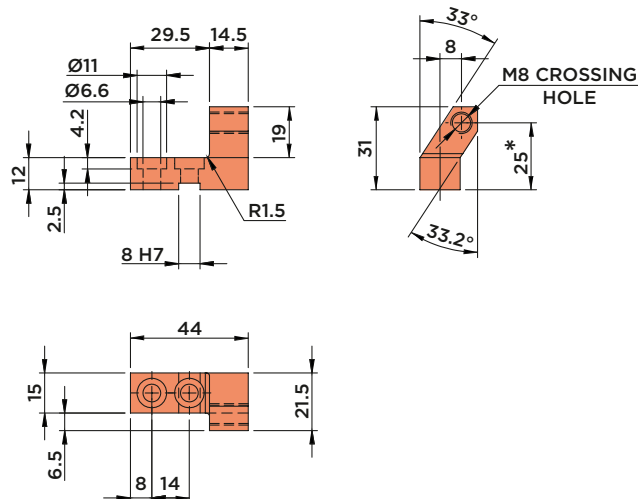
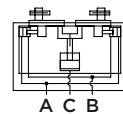
- A** : Clamping
- B** : Unclamping
- C** : Position lock
- G** : Pneumatic pressurization greasing port



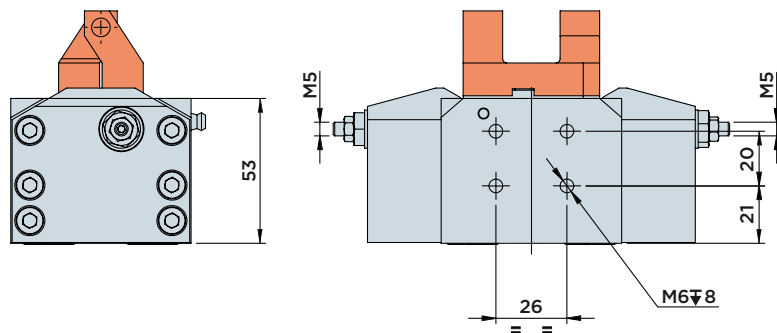
The clamping force is developed only in the represented stroke direction



CLAMP ARMS (OPTIONAL) ORDER NO.: 01.MA120



* In case special clamp arms are need, please don't exceed 31 mm MAX dimension



Note:

Max. admissible flow rate: 2,5 l/min
To adjust the setting system see page 230

Included in the scope of supply:

- Mounting screws M8x60 DIN 912/12.9 grade

STROKE mm (Per clamping jaw)	TOTAL OIL VOLUME		
	Cm ³		
TOTAL	CLAMP.	UNCLAMP.	POSITION LOCK AFTER CLAMPING
12 (6+6)	1.9	0.7	5



HYDROBLOCK