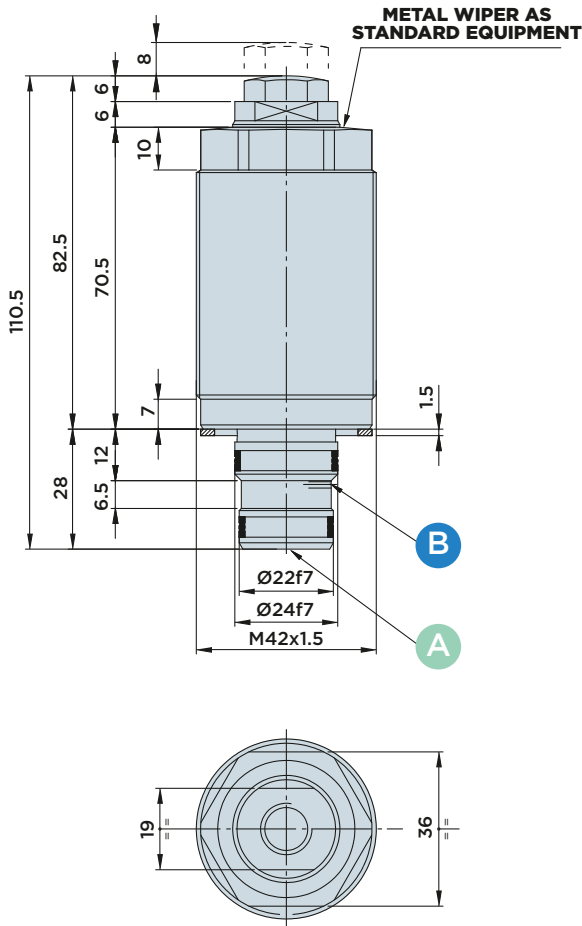
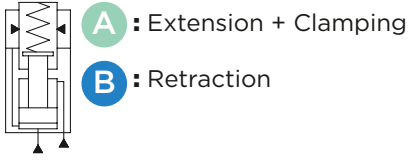


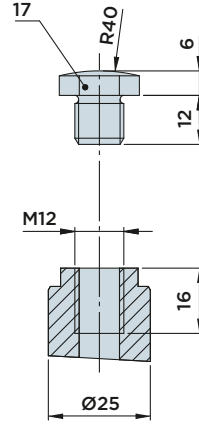
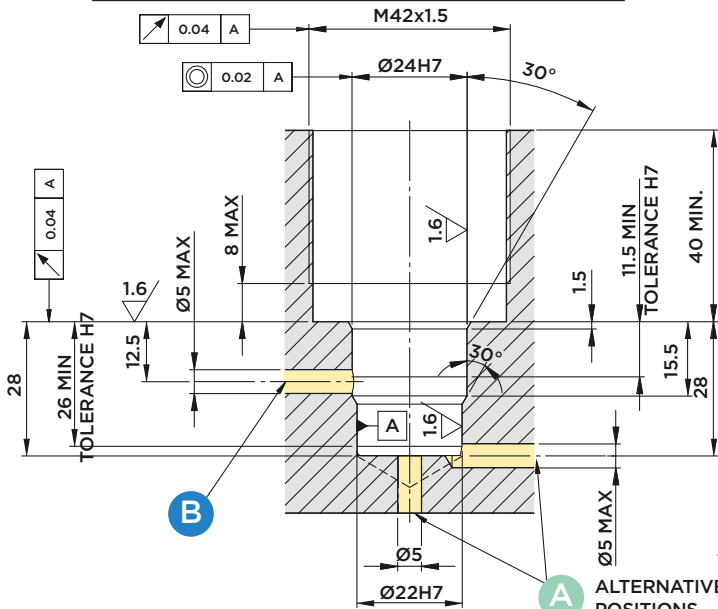
IRFP 25.8 D

HYDRAULIC WORK SUPPORT WITH **UPPER FLANGE DOUBLE-ACTING**

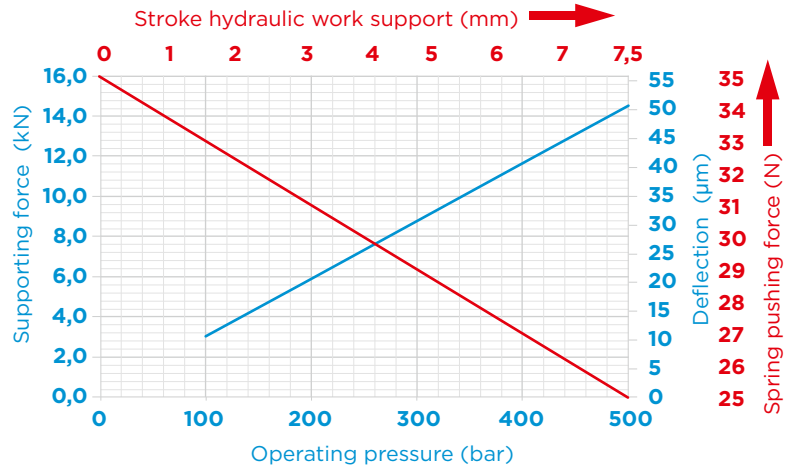
MAX. OPERATING PRESSURE = **500BAR** - MIN. OPERATING PRESSURE = **100BAR**



INSTALLATION DIMENSIONS



FORCE/PRESSURE/DEFLECTION DIAGRAM



Note:

Cylinder capacity 0.63 cm³
The maximum admissible flow rate amounts to 1.5 l/min
For example of the graph, see Pag.344

Contact force:

- Standard 25÷35 N
- Upon request 10÷20 N (order no. IRFP25.8DL)

Included in the scope of supply:

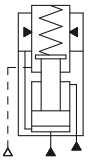
- Sealing ring Ø33.5xØ40x1.5

Material:

- Piston/rod: Case-hardened steel, ground.
- Body: Free machining steel, nitrocarburized.

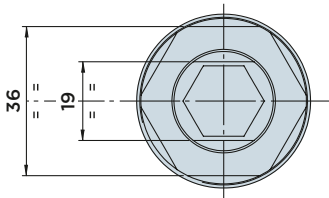
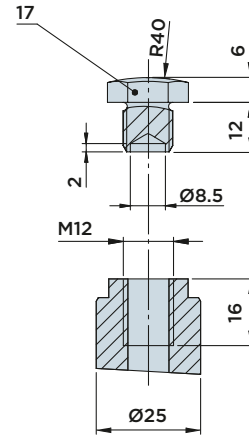
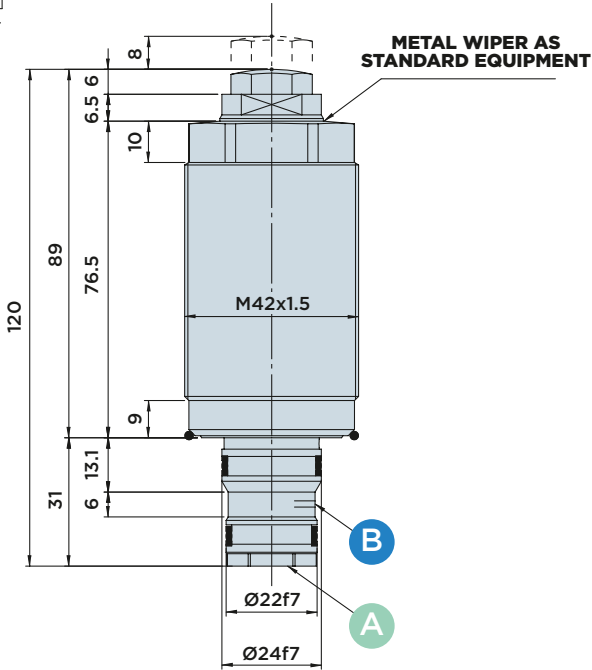
IRFP 25.8 DV

WORK SUPPORT WITH PNEUMATIC SEALING PRESSURE AND **THREADED BODY, DOUBLE-ACTING**
 MAX. OPERATING PRESSURE = **500BAR** - MIN. OPERATING PRESSURE = **100BAR**

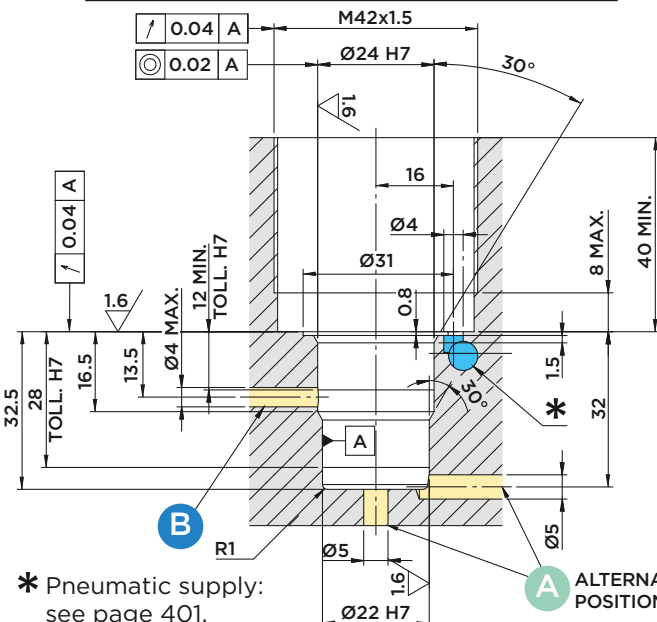


A : Extension + Clamping

B : Retraction



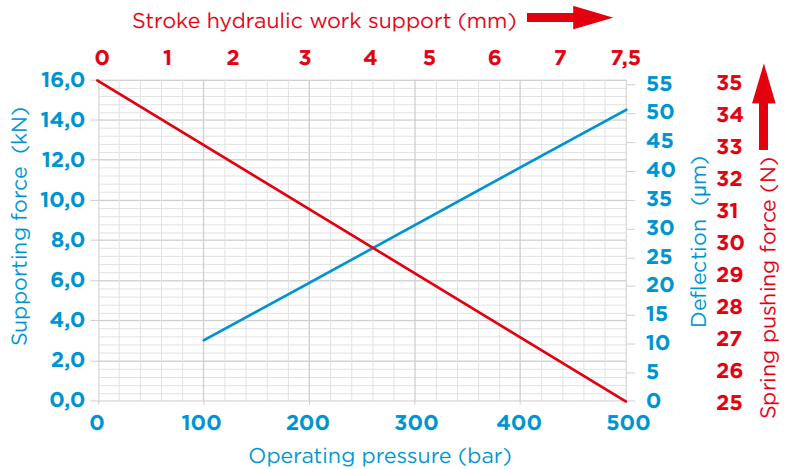
INSTALLATION DIMENSIONS



* Pneumatic supply: see page 401.

ALTERNATIVE POSITIONS

FORCE/PRESSURE/DEFLECTION DIAGRAM



Note:

Cylinder capacity 0.63 cm³
 The maximum admissible flow rate amounts to 1.5 l/min.
 For example of the graph, see Pag.344

Contact force:

- Standard 25÷35 N
- Upon request 10÷20 N (order no. IRFP25.8DVL)

Included in the scope of supply:

- O-Rings Ø38x1.5

Material:

- Piston/rod: Case-hardened steel, ground.
- Body: Free machining steel, nitrocarburized.