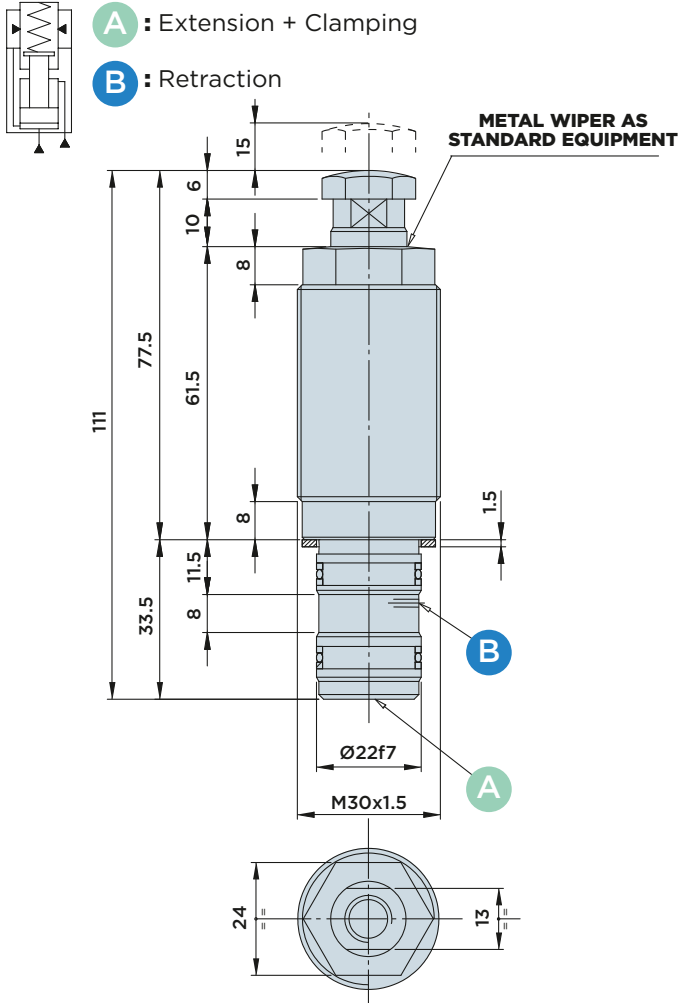


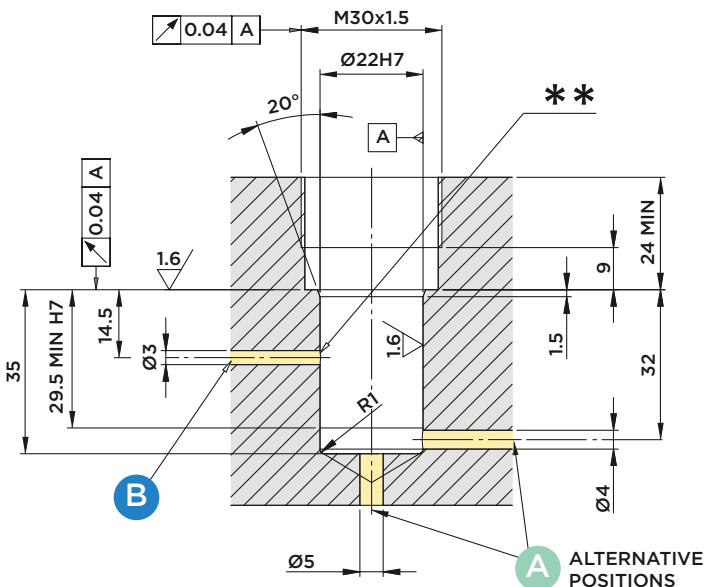
# IRFP 16.15 D

HYDRAULIC WORK SUPPORT WITH **UPPER FLANGE DOUBLE-ACTING**

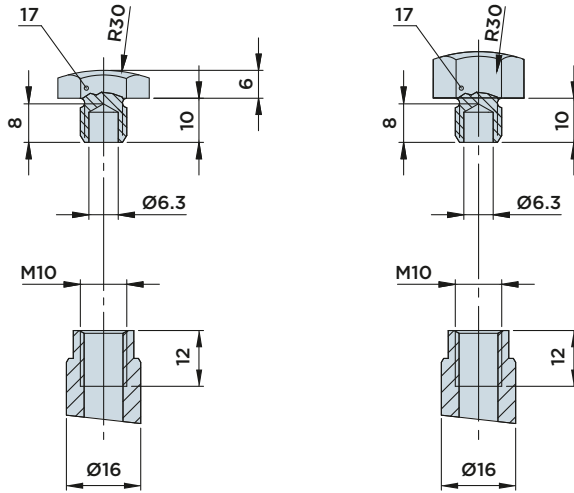
MAX. OPERATING PRESSURE = **500BAR** - MIN. OPERATING PRESSURE = **100BAR**



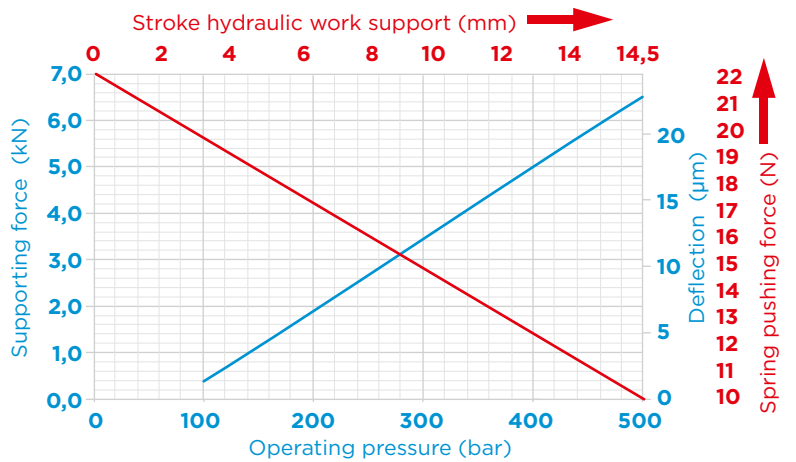
## INSTALLATION DIMENSIONS



\*\* Deburr and round off any edges



## FORCE/PRESSURE/DEFLECTION DIAGRAM



### Note:

Cylinder capacity 1.18 cm<sup>3</sup>  
 The maximum admissible flow rate amounts to 1.5 l/min.  
 For example of the graph, see Pag.344

### Contact force:

- Standard 10÷22 N

### Included in the scope of supply:

- Sealing ring Ø22xØ28x1.5

### Material:

- Piston/rod: Case-hardened steel, ground.
- Body: Free machining steel, nitrocarburized.



HYDROBLOCK