

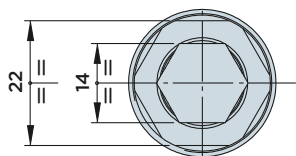
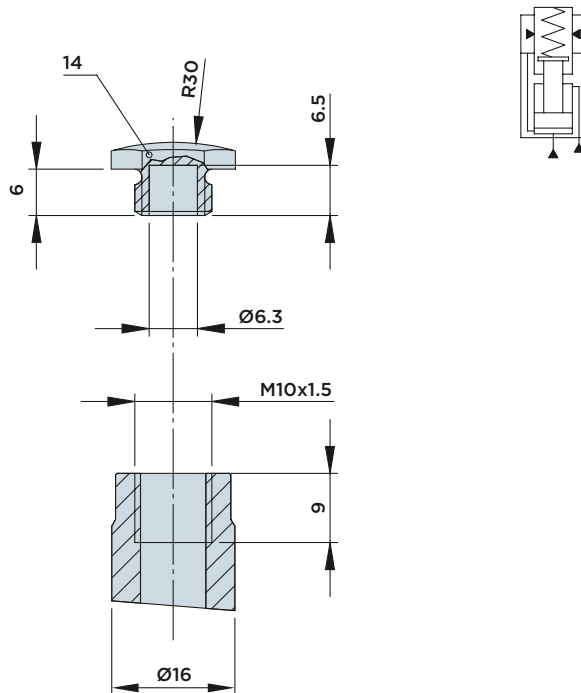
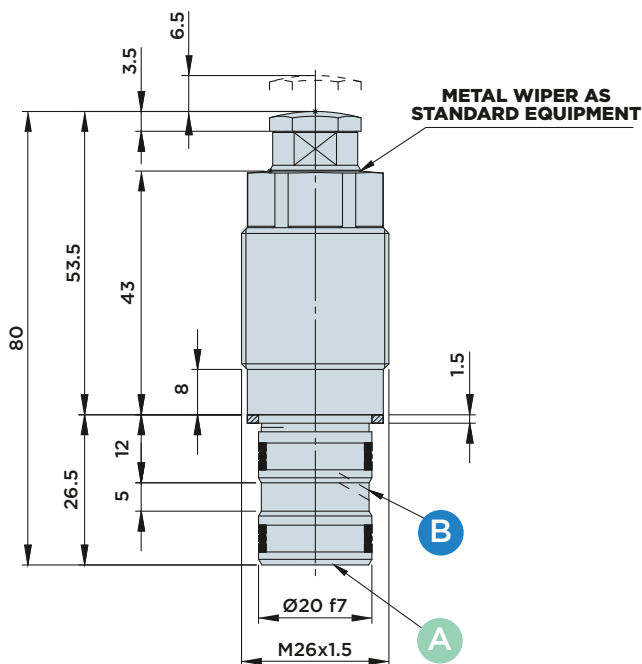
IRFP 16S D

HYDRAULIC WORK SUPPORT WITH **UPPER FLANGE DOUBLE-ACTING**

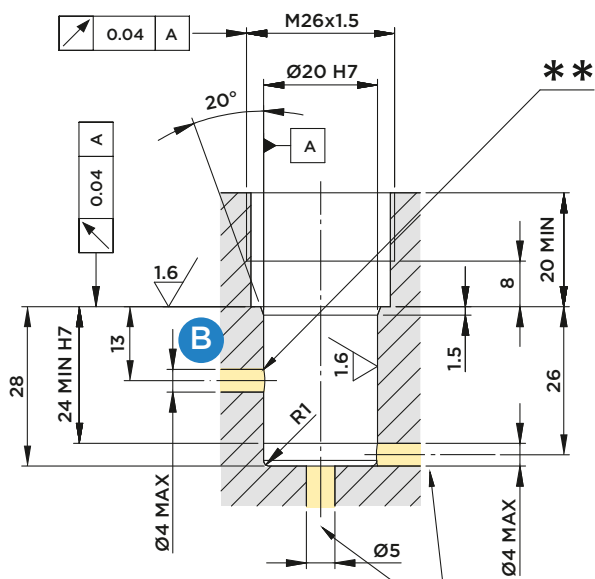
MAX. OPERATING PRESSURE = **350BAR** - MIN. OPERATING PRESSURE = **100BAR**

A : Extension + Clamping

B : Retraction



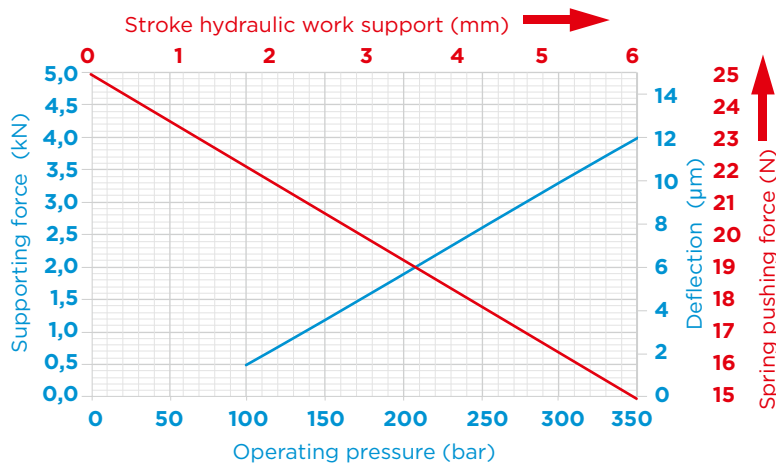
INSTALLATION DIMENSIONS



** Debur and round off any edges

A ALTERNATIVE POSITIONS

FORCE/PRESSURE/DEFLECTION DIAGRAM



Note:

Cylinder capacity 0.32 cm³
The maximum admissible flow rate amounts to 1.5 l/min.
For example of the graph, see Pag.344

Contact force:

- Standard 15÷35 N

Included in the scope of supply:

- Sealing ring Ø20.5xØ24x1.5

Material:

- Piston/rod: Case-hardened steel, ground.
- Body: Free machining steel, nitrocarburized.