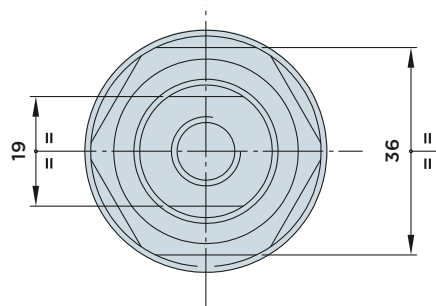
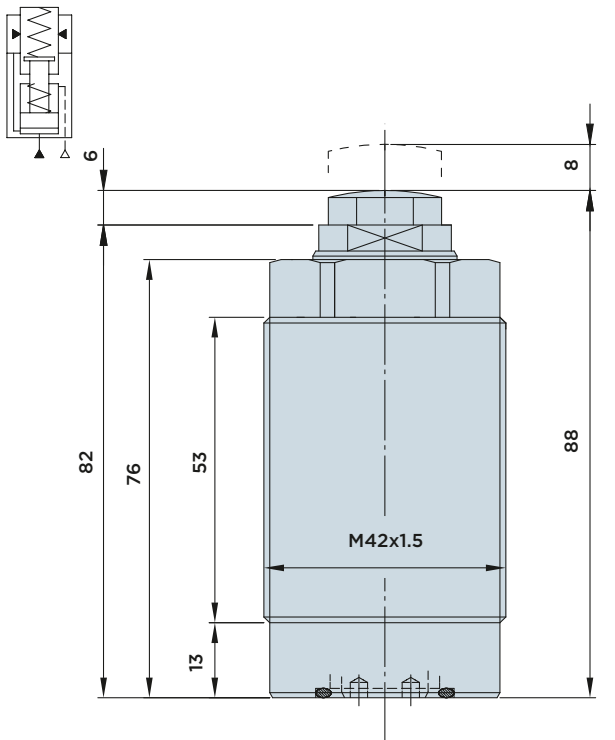


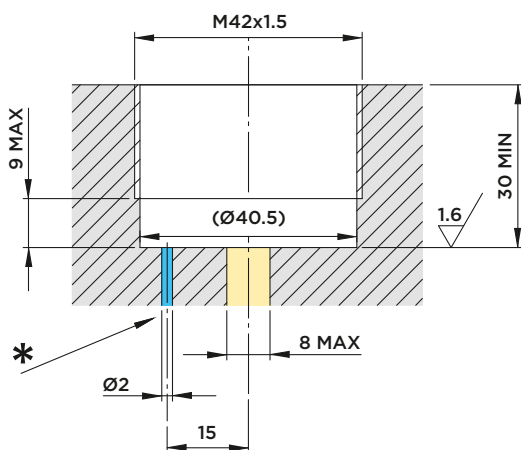
IRFP 25.8 A

HYDRAULIC WORK SUPPORT WITH **THREADED BODY**

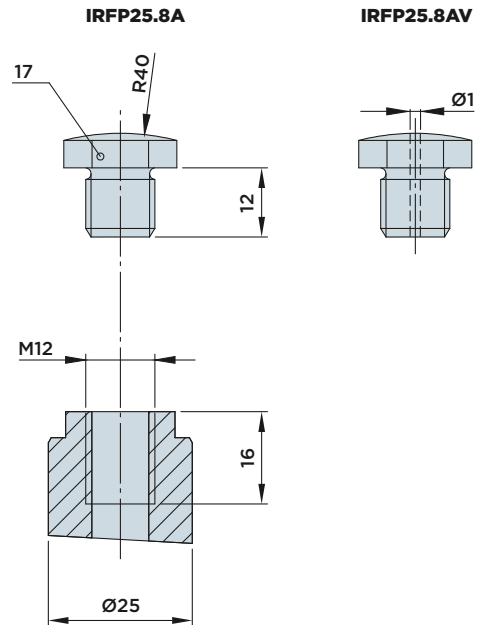
MAX. OPERATING PRESSURE = **500BAR** - MIN. OPERATING PRESSURE = **100BAR**



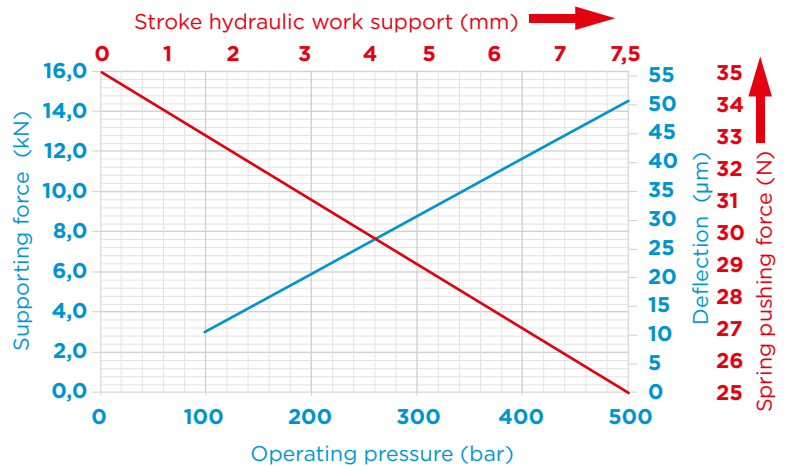
INSTALLATION DIMENSIONS



* Pneumatic supply: see page 401.



FORCE/PRESSURE/DEFLECTION DIAGRAM



Note:

Cylinder capacity 1.4 cm³
The maximum admissible flow rate amounts to 1.5 l/min.
For example of the graph, see Pag.344

Contact force:

- Standard 25÷35 N
- Upon request 10÷20 N (order no. IRFP25.8AL)

Included in the scope of supply:

- O-Ring Ø18x3

Material:

- Piston/rod: Case-hardened steel, ground.
- Body: Free machining steel, nitrocarburized.

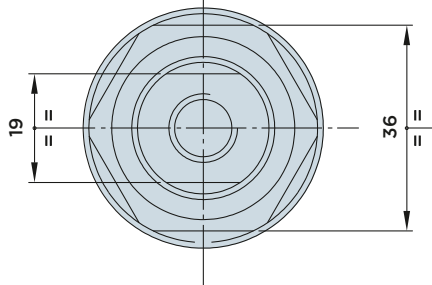
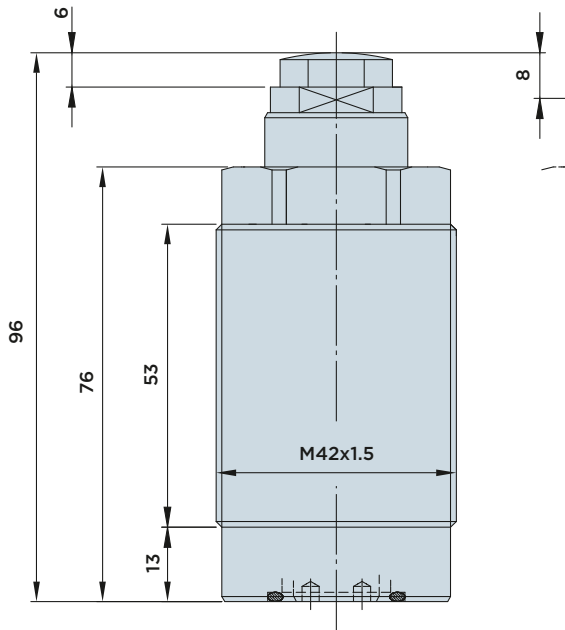


HYDROBLOCK

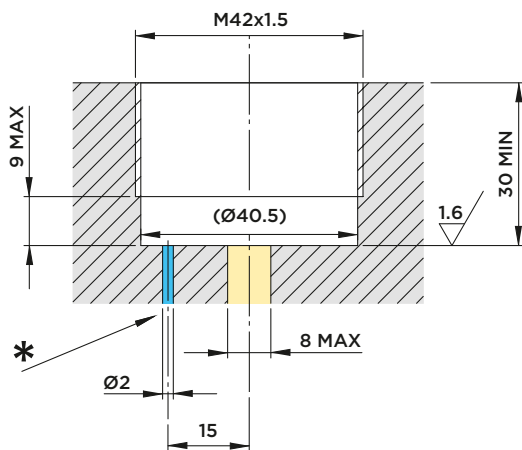
IRFM 25.8 A

HYDRAULIC WORK SUPPORT WITH **THREADED BODY**

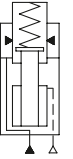
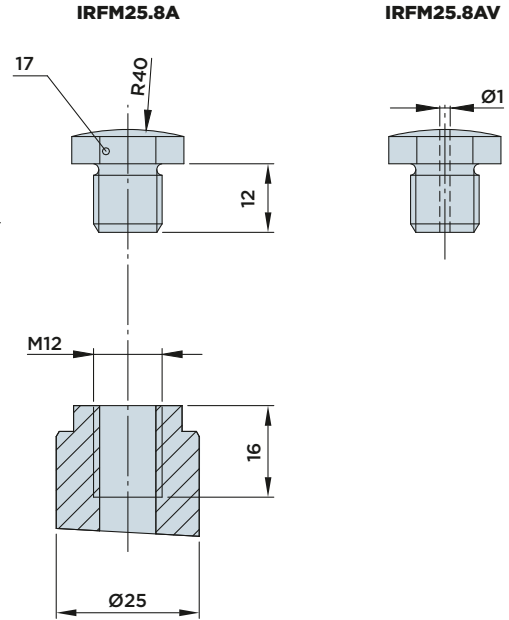
MAX. OPERATING PRESSURE = **500BAR** - MIN. OPERATING PRESSURE = **100BAR**



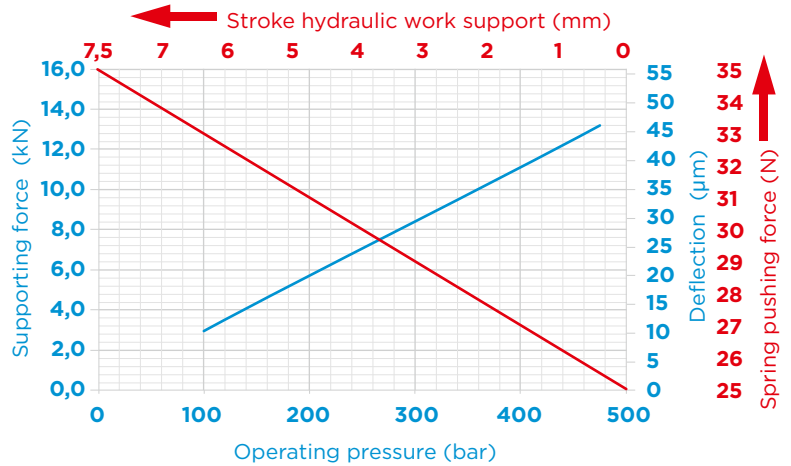
INSTALLATION DIMENSIONS



* Pneumatic supply: see page 401.



FORCE/PRESSURE/DEFLECTION DIAGRAM



Note:

The maximum admissible flow rate amounts to 1.5 l/min. For example of the graph, see Pag.344

Contact force:

- Standard 25÷35 N
- Upon request 10÷20 N (order no. IRFM25.8AL)

Included in the scope of supply:

- O-Ring Ø9.92x2.62

Material:

- Piston/rod: Case-hardened steel, ground.
- Body: Free machining steel, nitrocarburized.



HYDROBLOCK