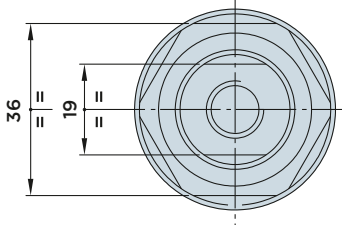
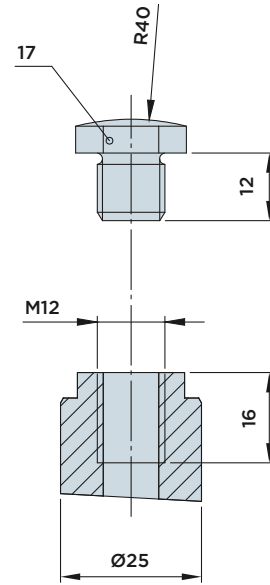
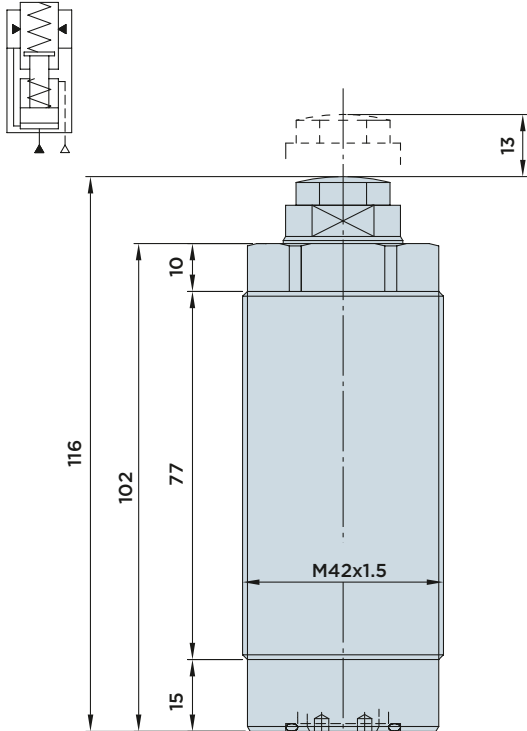


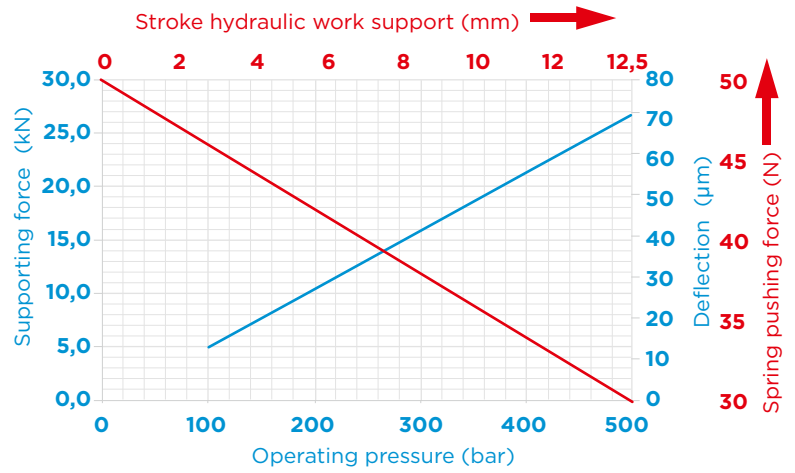
# IRFP 25.13

HYDRAULIC WORK SUPPORT WITH **THREADED BODY**

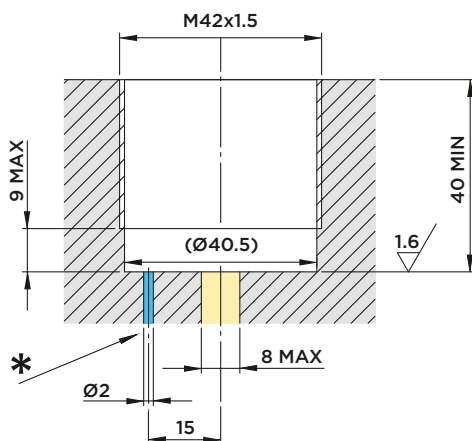
MAX. OPERATING PRESSURE = **500BAR** - MIN. OPERATING PRESSURE = **100BAR**



## FORCE/PRESSURE/DEFLECTION DIAGRAM



## INSTALLATION DIMENSIONS



\* Venting: We recommend installing a connection with a vent line leading into an area that is free from liquids and chips.

### Note:

Cylinder capacity 2.3 cm<sup>3</sup>  
The maximum admissible flow rate amounts to 1.5 l/min.  
For example of the graph, see Pag.344

### Contact force:

• Standard 30÷50 N

### Included in the scope of supply:

• O-Ring Ø18x3 mm

### Material:

• Piston/rod: Case-hardened steel, ground.  
• Body: Free machining steel, nitrocarburized.

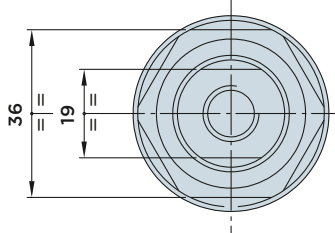
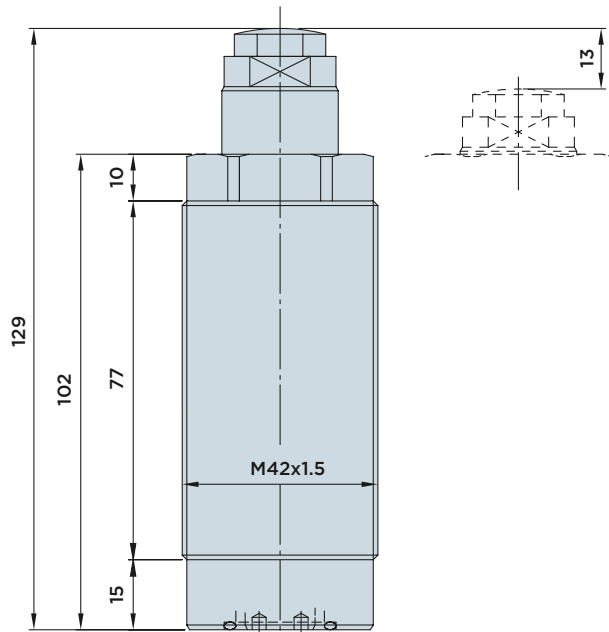


HYDROBLOCK

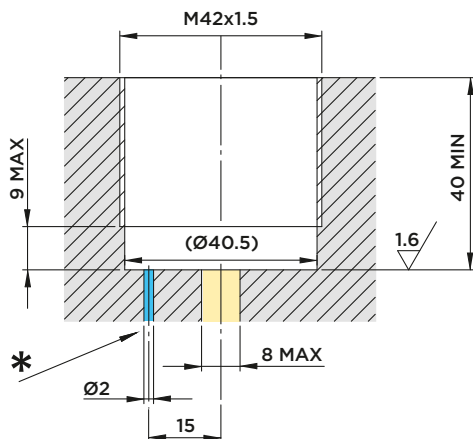
# IRFM 25.13

HYDRAULIC WORK SUPPORT WITH **THREADED BODY**

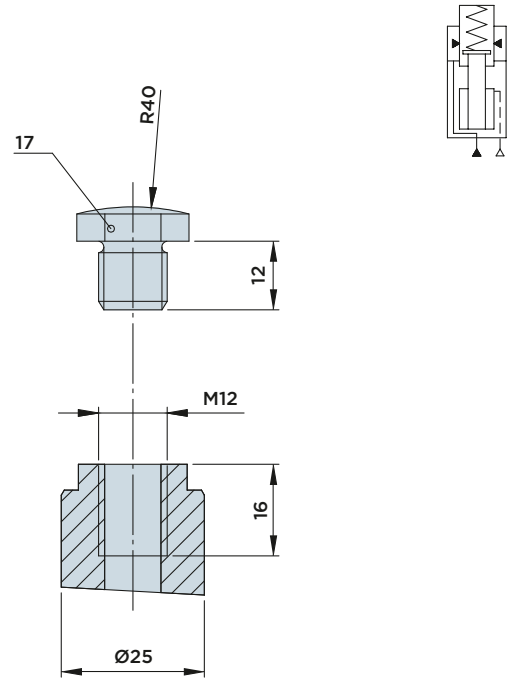
MAX. OPERATING PRESSURE = **500BAR** - MIN. OPERATING PRESSURE = **100BAR**



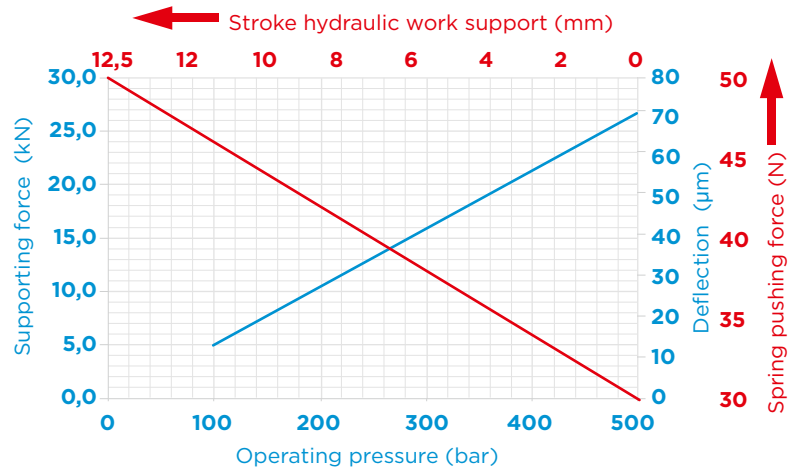
## INSTALLATION DIMENSIONS



\* Venting: We recommend installing a connection with a vent line leading into an area that is free from liquids and chips.



## FORCE/PRESSURE/DEFLECTION DIAGRAM



### Note:

The maximum admissible flow rate amounts to 1.5 l/min. For example of the graph, see Pag.344

### Contact force:

- Standard 30÷50 N

### Included in the scope of supply:

- O-Ring Ø9.92x2.62

### Material:

- Piston/rod: Case-hardened steel, ground.
- Body: Free machining steel, nitrocarburized.



HYDROBLOCK