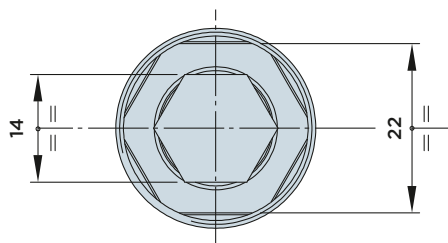
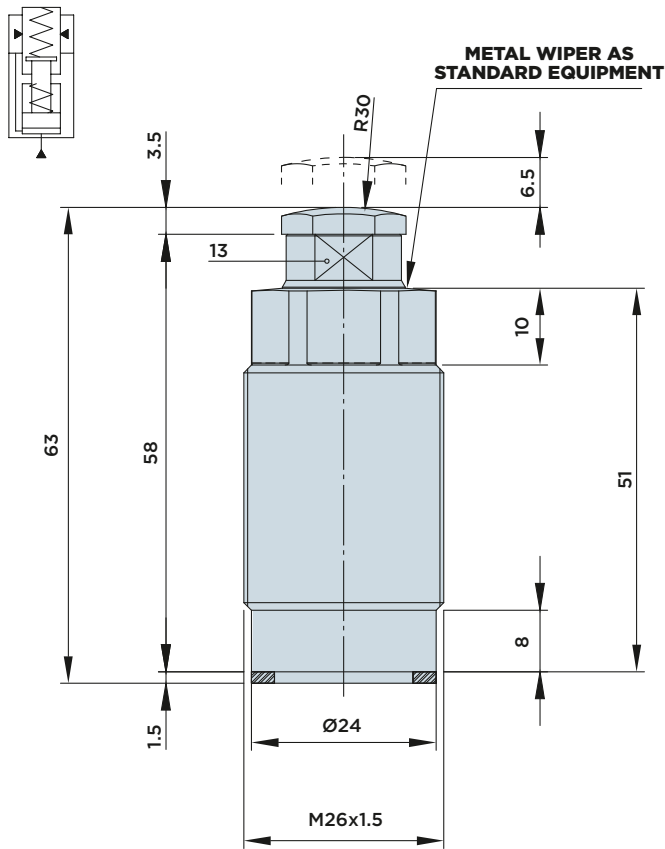


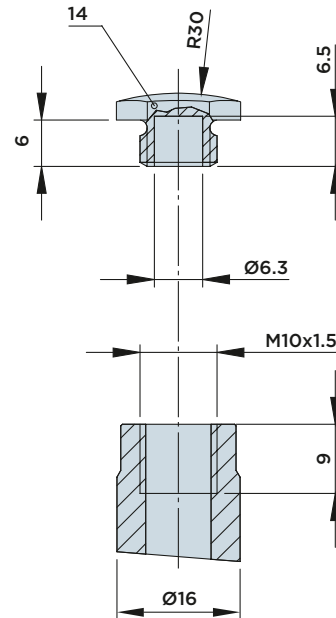
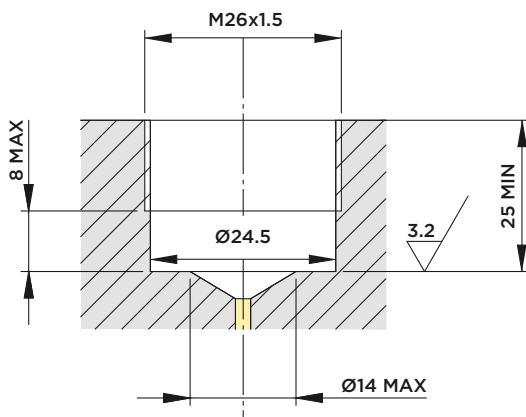
IRFP 16S.1

HYDRAULIC WORK SUPPORT WITH **THREADED BODY**

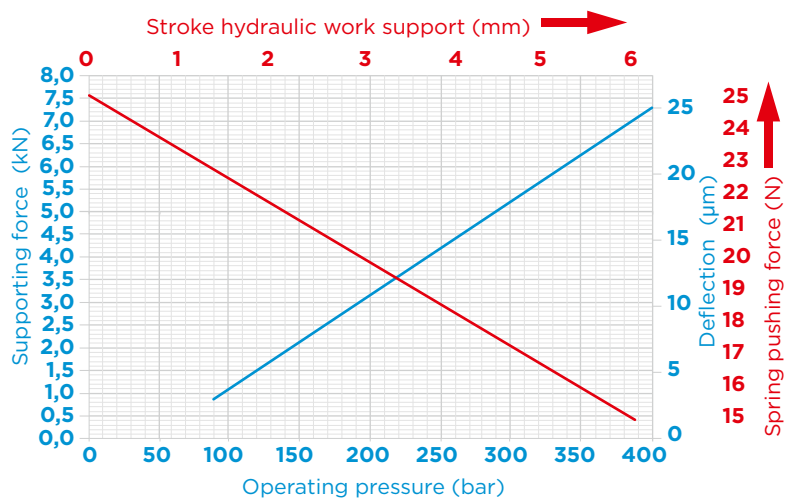
MAX. OPERATING PRESSURE = **400BAR** - MIN. OPERATING PRESSURE = **100BAR**



INSTALLATION DIMENSIONS



FORCE/PRESSURE/DEFLECTION DIAGRAM



Note:

Cylinder capacity 0.51 cm³
The maximum admissible flow rate amounts to 1.5 l/min.
For example of the graph, see Pag.344

Contact force:

- Standard 15÷25 N
- Upon request 9÷18 N (order no IRFP16S.1L)

Included in the scope of supply:

- Sealing ring Ø18xØ24x1.5

Material:

- Piston/rod: Case-hardened steel, ground.
- Body: Free machining steel, nitrocarburized.

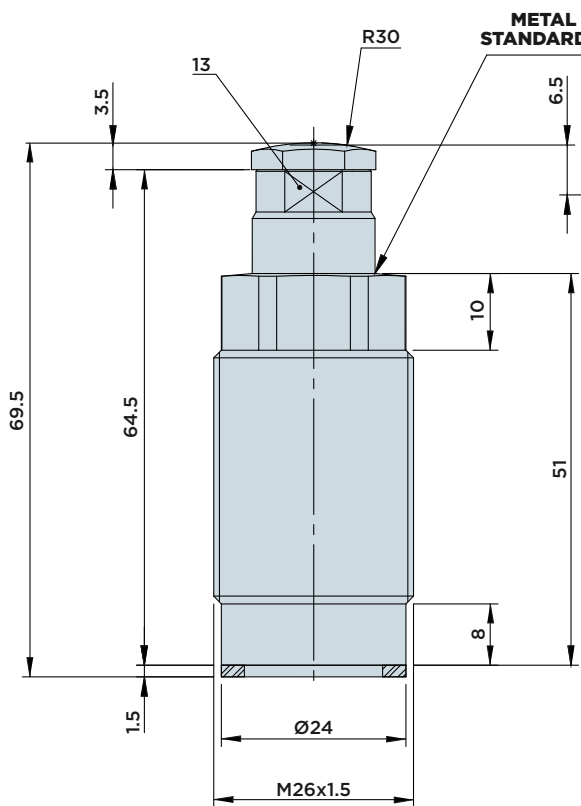


HYDROBLOCK

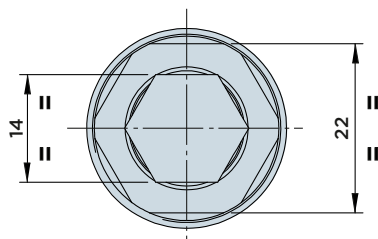
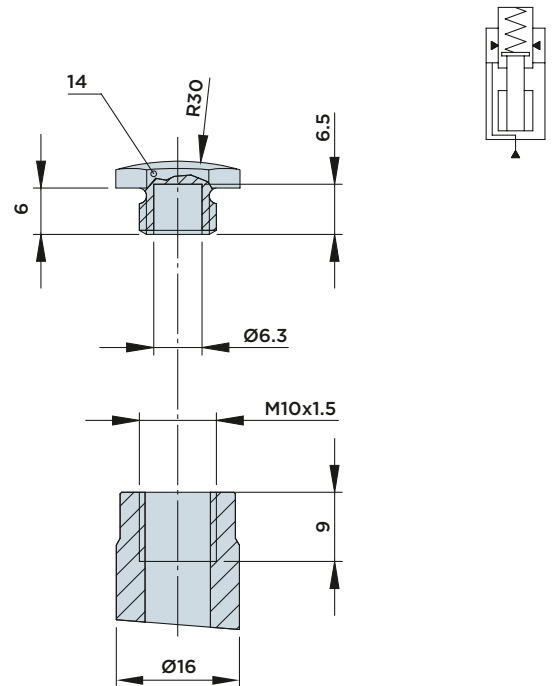
IRFM 16S.1

HYDRAULIC WORK SUPPORT WITH **THREADED BODY**

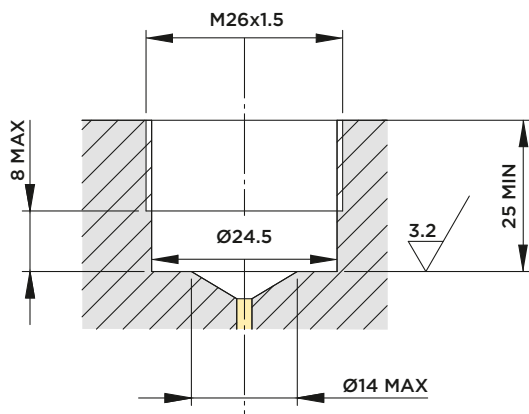
MAX. OPERATING PRESSURE = **400BAR** - MIN. OPERATING PRESSURE = **100BAR**



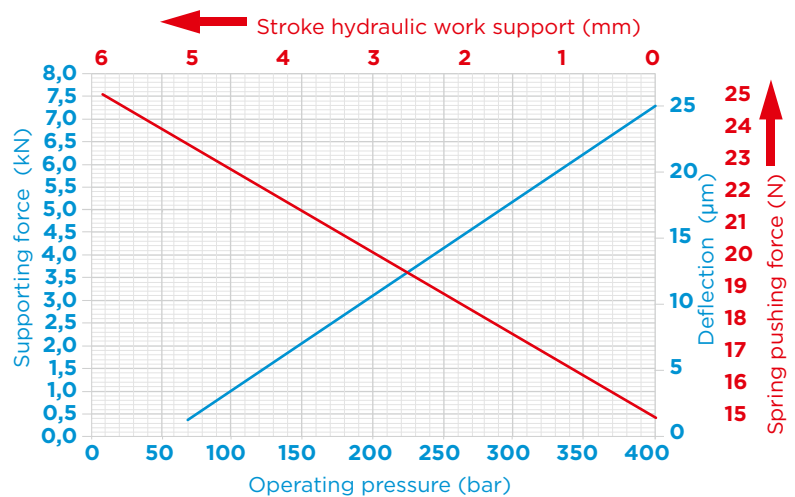
METAL WIPER AS STANDARD EQUIPMENT



INSTALLATION DIMENSIONS



FORCE/PRESSURE/DEFLECTION DIAGRAM



Note:

The maximum admissible flow rate amounts to 1.5 l/min. For example of the graph, see Pag.344

Contact force:

- Standard 15÷25 N
- Upon request 9÷18 N (order no IRFM16S.1L)

Included in the scope of supply:

- Sealing ring Ø18xØ24x1.5

Material:

- Piston/rod: Case-hardened steel, ground.
- Body: Free machining steel, nitrocarburized.



HYDROBLOCK