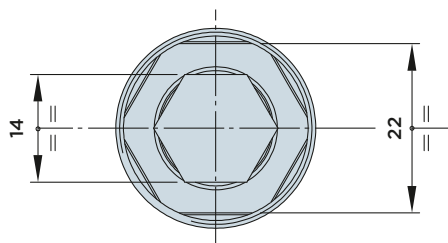
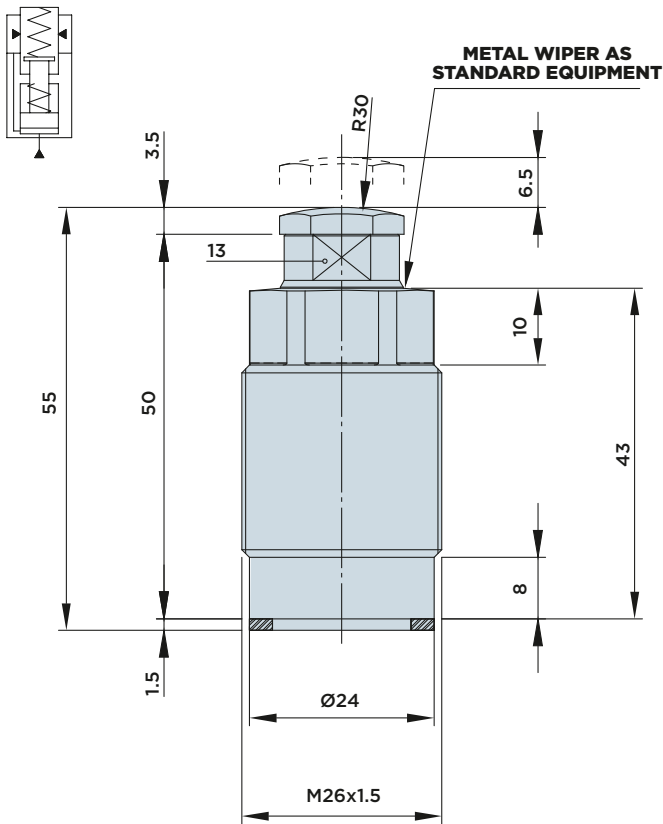


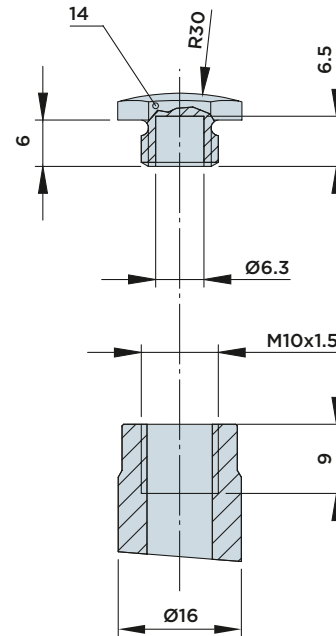
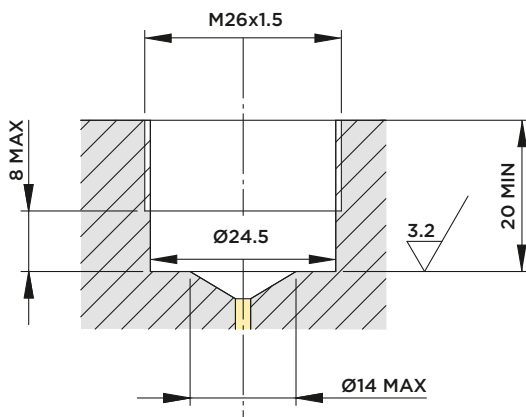
IRFP 16S

HYDRAULIC WORK SUPPORT WITH **THREADED BODY**

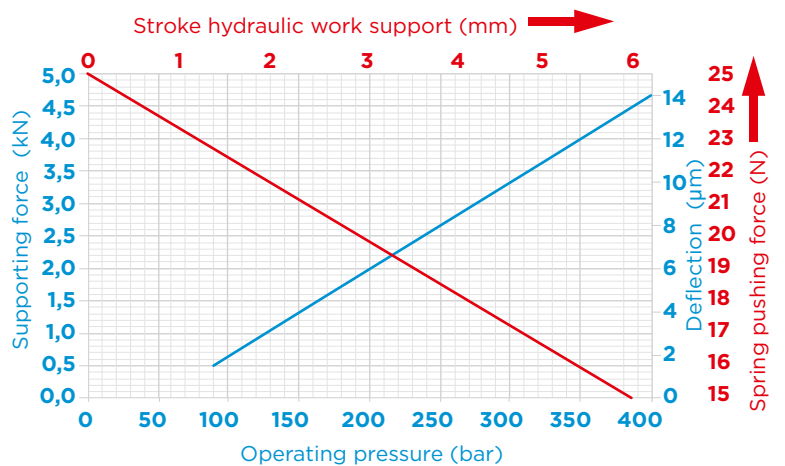
MAX. OPERATING PRESSURE = **400BAR** - MIN. OPERATING PRESSURE = **100BAR**



INSTALLATION DIMENSIONS



FORCE/PRESSURE/DEFLECTION DIAGRAM



Note:

Cylinder capacity 0.51 cm³
The maximum admissible flow rate amounts to 1.5 l/min.
For example of the graph, see Pag.344

Contact force:

- Standard 15÷25 N
- Upon request 8÷11 N (order no. IRFP16SL)

Included in the scope of supply:

- Sealing ring $\varnothing 18 \times \varnothing 24 \times 1.5$

Material:

- Piston/rod: Case-hardened steel, ground.
- Body: Free machining steel, nitrocarburized.



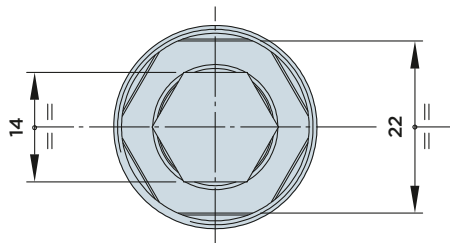
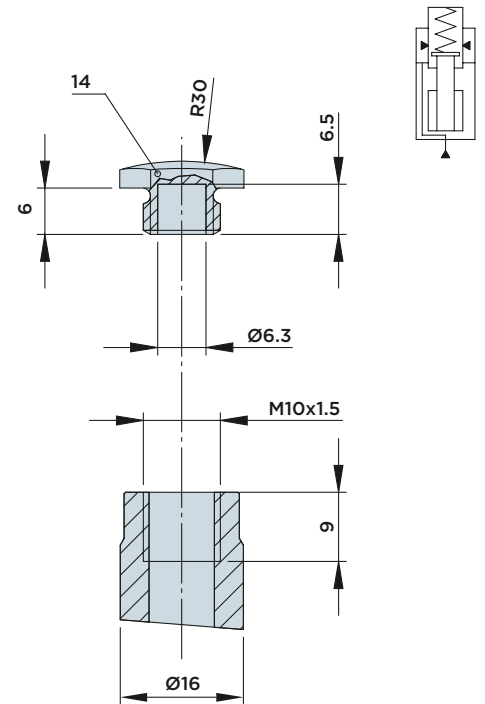
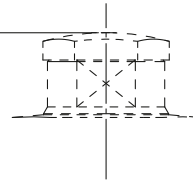
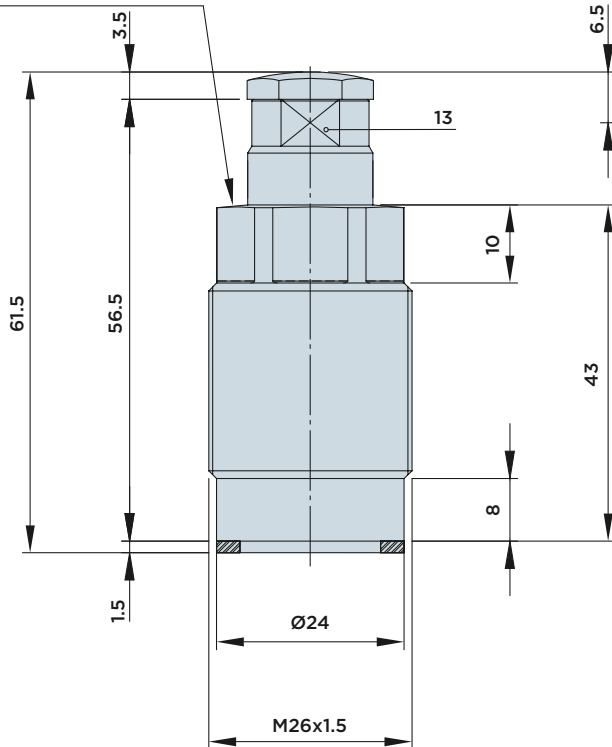
HYDROBLOCK

IRFM 16S

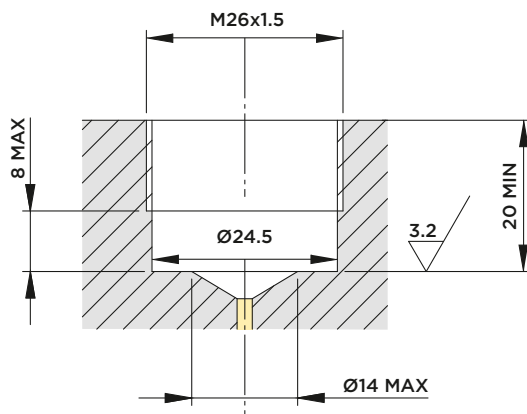
HYDRAULIC WORK SUPPORT WITH **THREADED BODY**

MAX. OPERATING PRESSURE = **400BAR** - MIN. OPERATING PRESSURE = **100BAR**

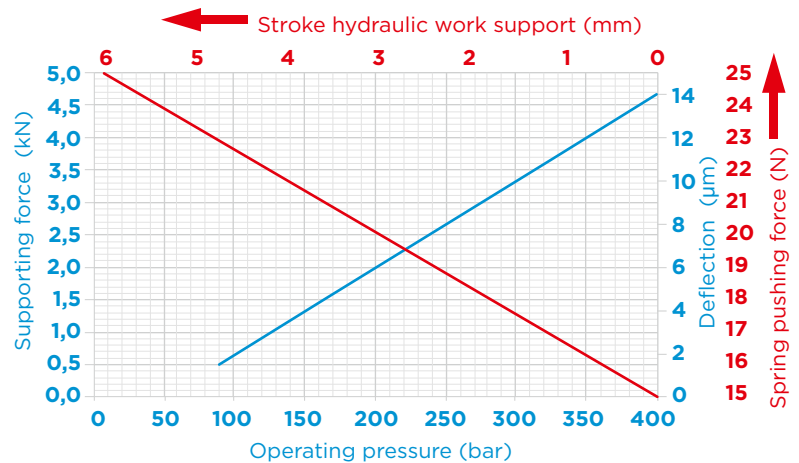
METAL WIPER AS STANDARD EQUIPMENT



INSTALLATION DIMENSIONS



FORCE/PRESSURE/DEFLECTION DIAGRAM



Note:

The maximum admissible flow rate amounts to 1.5 l/min. For example of the graph, see Pag.344

Contact force:

- Standard 15÷25 N
- Upon request 8÷11 N (order no. IRFM16SL)

Included in the scope of supply:

- Sealing ring Ø18xØ24x1.5

Material:

- Piston/rod: Case-hardened steel, ground.
- Body: Free machining steel, nitrocarburized.



HYDROBLOCK