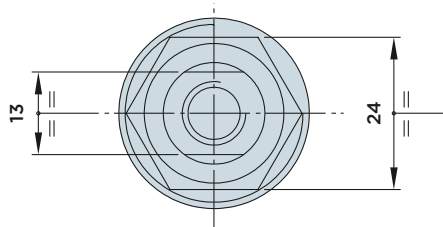
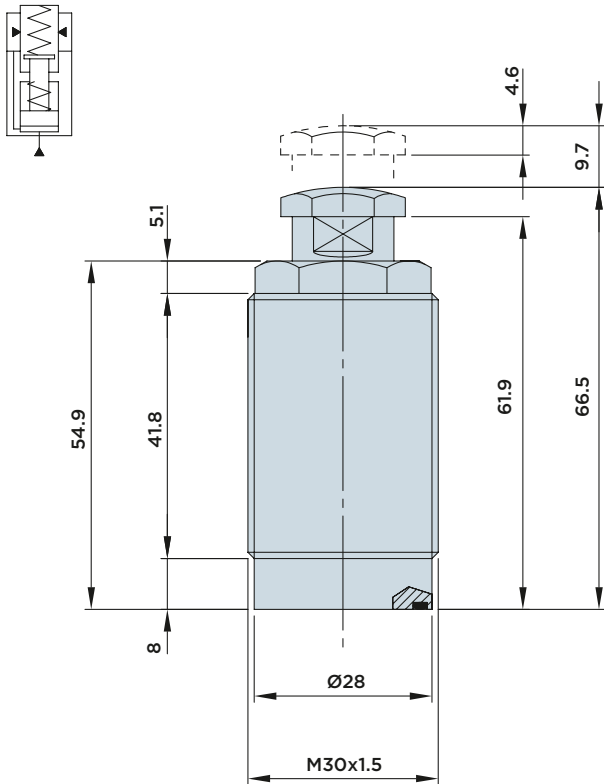


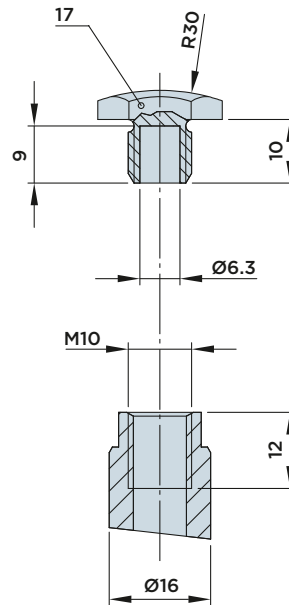
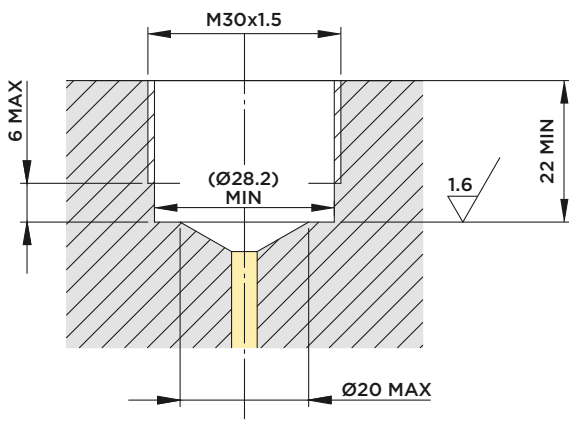
# IRFP 16.2

HYDRAULIC WORK SUPPORT WITH **THREADED BODY**

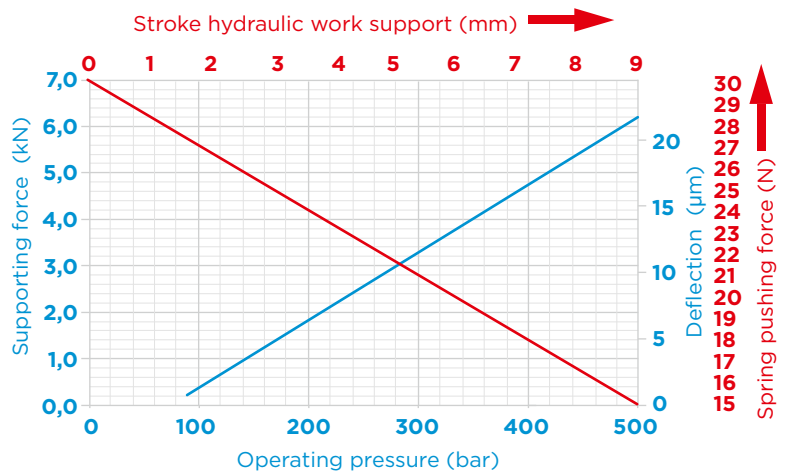
MAX. OPERATING PRESSURE = **500BAR** - MIN. OPERATING PRESSURE = **100BAR**



## INSTALLATION DIMENSIONS



## FORCE/PRESSURE/DEFLECTION DIAGRAM



### Note:

Cylinder capacity 0.76 cm<sup>3</sup>  
The maximum admissible flow rate amounts to 1.5 l/min.  
For example of the graph, see Pag.344

### Contact force:

- Standard 15÷30 N
- Upon request 8÷20 N (order no. IRFP16.2L)

### Included in the scope of supply:

- Metric O-rings  $\varnothing 23.5 \times 1.5$

### Material:

- Piston/rod: Case-hardened steel, ground.
- Body: Free machining steel, nitrocarburized.

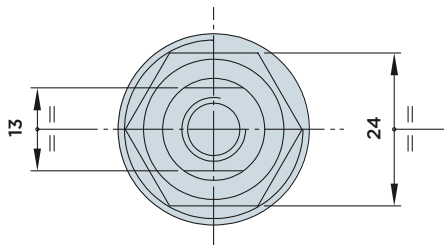
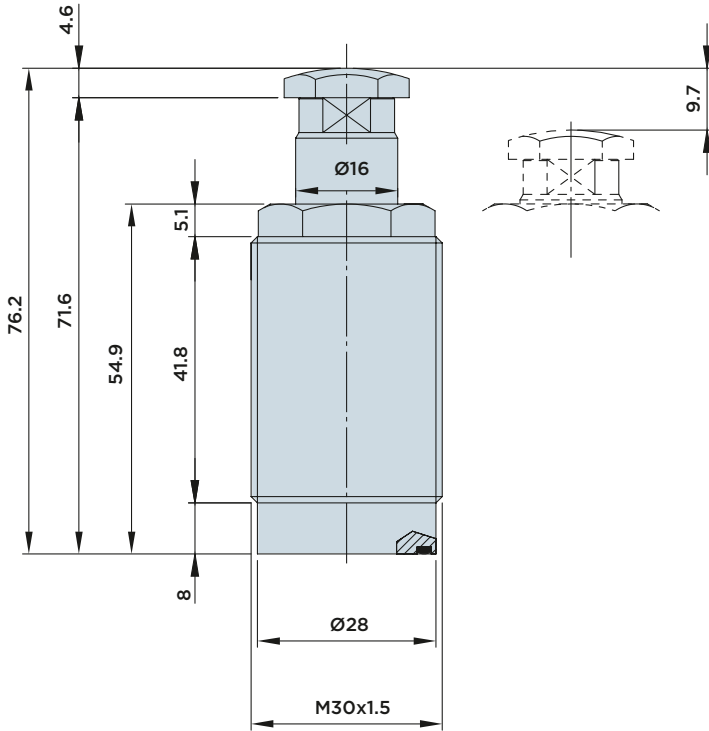


HYDROBLOCK

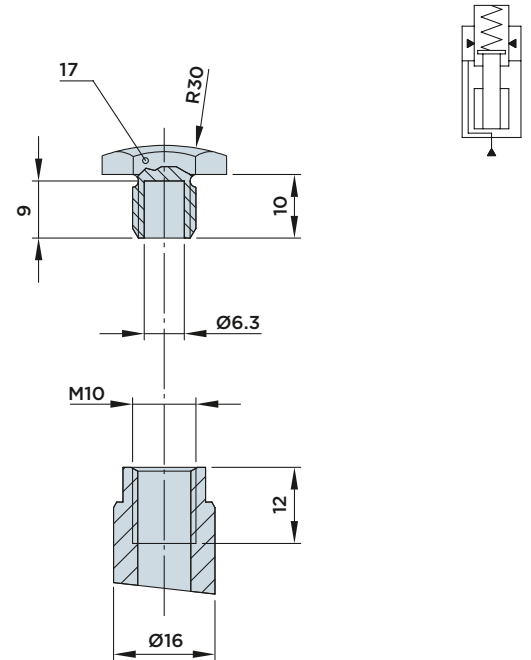
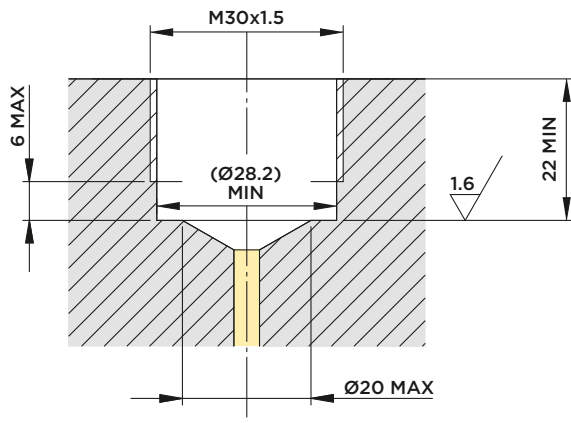
# IRFM 16.2

HYDRAULIC WORK SUPPORT WITH **THREADED BODY**

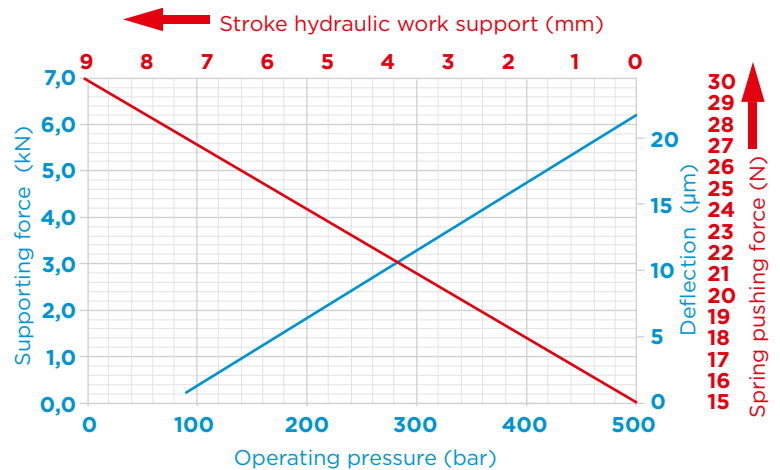
MAX. OPERATING PRESSURE = **500BAR** - MIN. OPERATING PRESSURE = **100BAR**



## INSTALLATION DIMENSIONS



## FORCE/PRESSURE/DEFLECTION DIAGRAM



### Note:

The maximum admissible flow rate amounts to 1.5 l/min. For example of the graph, see Pag.344

### Contact force:

- Standard 15÷30 N
- Upon request 8÷20 N (order no. IRFM16.2L)

### Included in the scope of supply:

- O-ring Ø 23.5x1.5

### Material:

- Piston/rod: Case-hardened steel, ground.
- Body: Free machining steel, nitrocarburized.



HYDROBLOCK