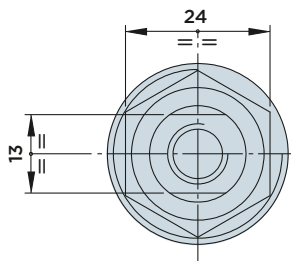
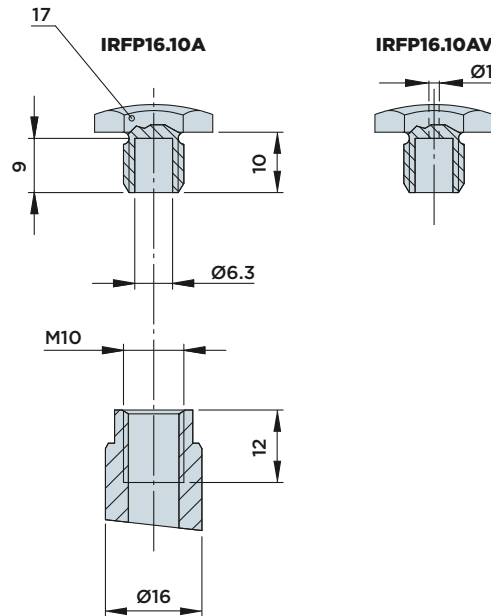
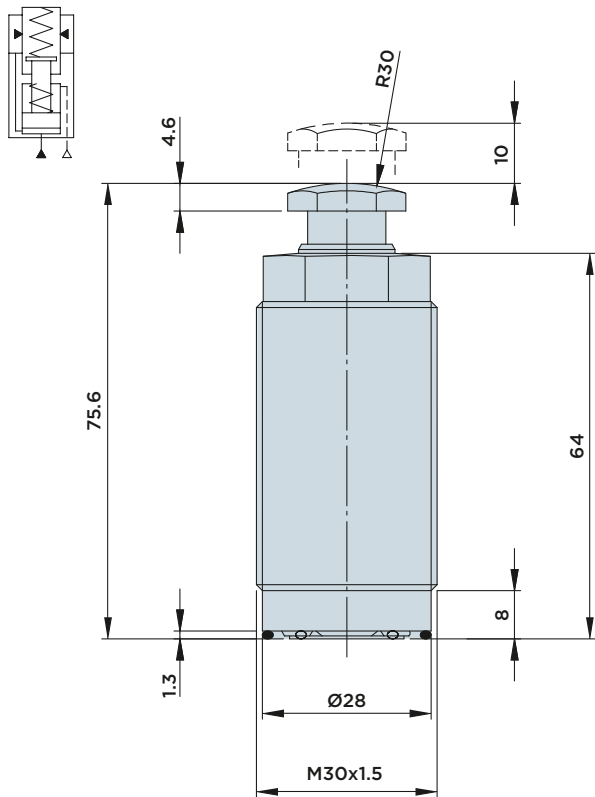


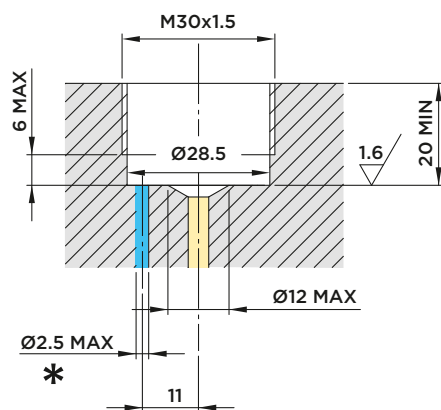
IRFP 16.10 A

PRESSURIZED WORK SUPPORTS WITH THREADED BODY

MAX. OPERATING PRESSURE = **500BAR** - MIN. OPERATING PRESSURE = **100BAR**

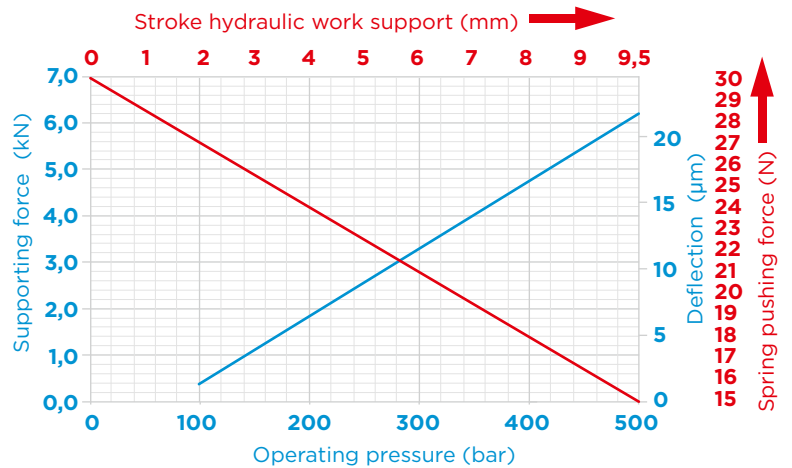


INSTALLATION DIMENSIONS



* Pneumatic supply: see page 401.

FORCE/PRESSURE/DEFLECTION DIAGRAM



Note:

Cylinder capacity 0.5 cm³
The maximum admissible flow rate amounts to 1.5 l/min.
For example of the graph, see Pag.344

Contact force:

- Standard 15÷30 N
- Upon request 8÷20 N (order no. IRFM16.10AL)

Included in the scope of supply:

- O-ring Ø14x1.78
- O-ring Ø23.52x1.78

Material:

- Piston/rod: Case-hardened steel, ground.
- Body: Free machining steel, nitrocarburized.

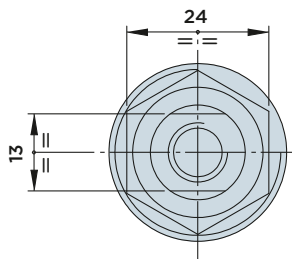
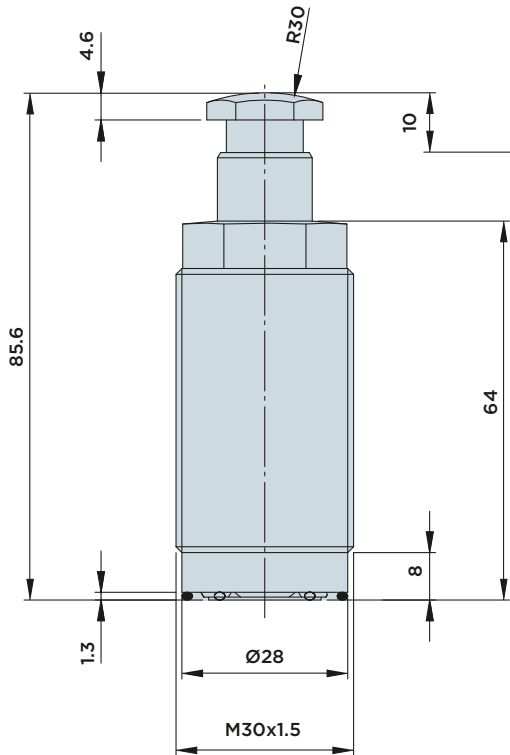


HYDROBLOCK

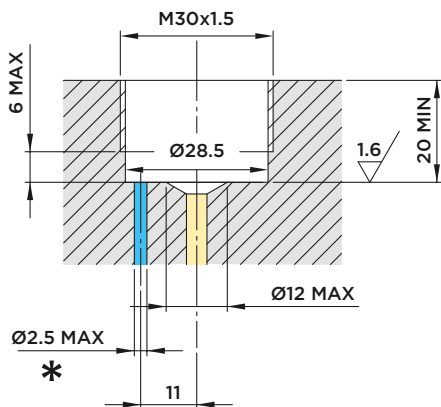
IRFM 16.10 A

PRESSURIZED WORK SUPPORTS WITH THREADED BODY

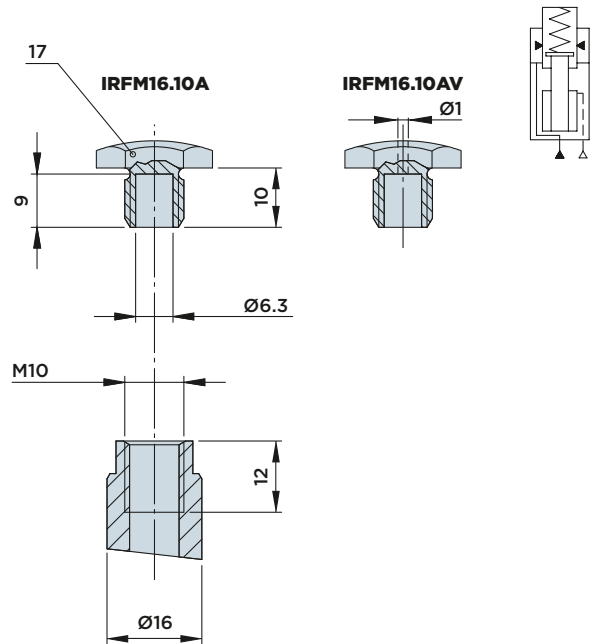
MAX. OPERATING PRESSURE = **500BAR** - MIN. OPERATING PRESSURE = **100BAR**



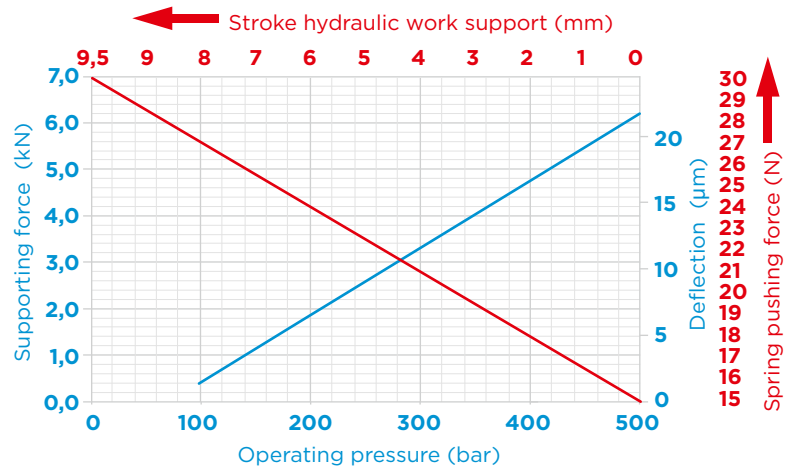
INSTALLATION DIMENSIONS



* Pneumatic supply: see page 401.



FORCE/PRESSURE/DEFLECTION DIAGRAM



Note:

The maximum admissible flow rate amounts to 1.5 l/min. For example of the graph, see Pag.344

Contact force:

- Standard 15÷30 N
- Upon request 8÷20 N (order no. IRFM16.10AL)

Included in the scope of supply:

- O-ring Ø14x1.78
- O-ring Ø23.52x1.78

Material:

- Piston/rod: Case-hardened steel, ground.
- Body: Free machining steel, nitrocarburized.



HYDROBLOCK