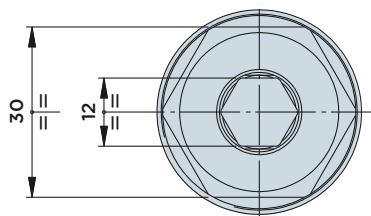
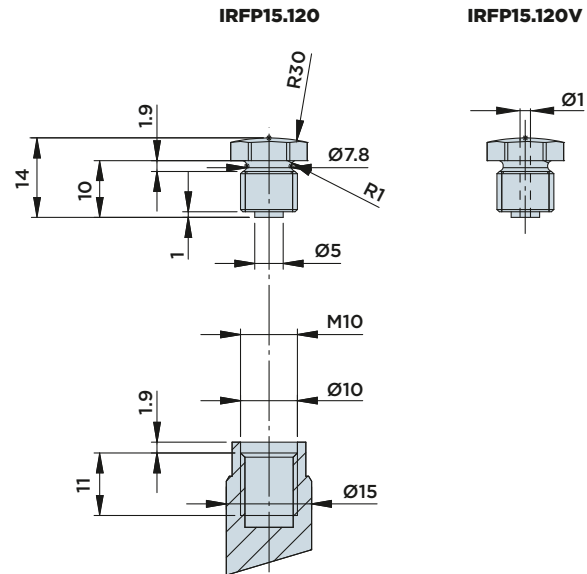
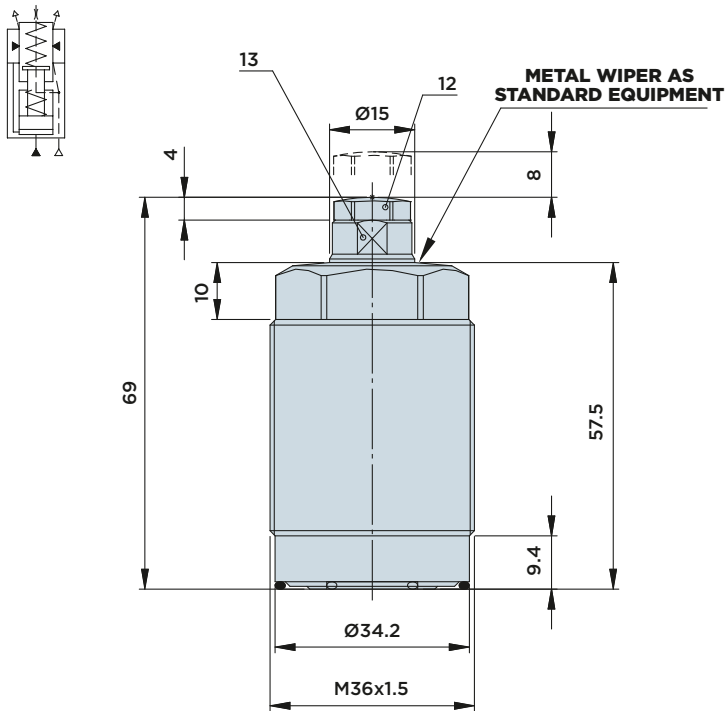


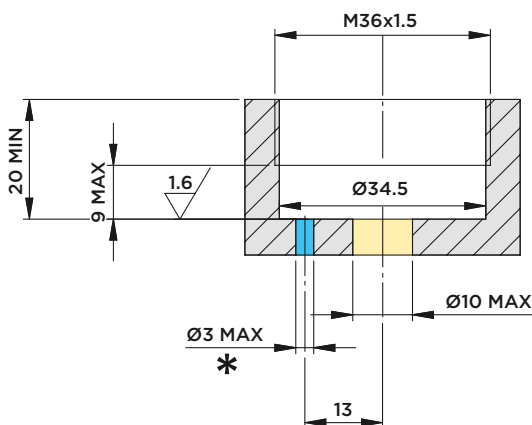
IRFP 15.120

HYDRAULIC WORK SUPPORT WITH **THREADED BODY**

MAX. OPERATING PRESSURE = **120BAR** - MIN. OPERATING PRESSURE = **40BAR**

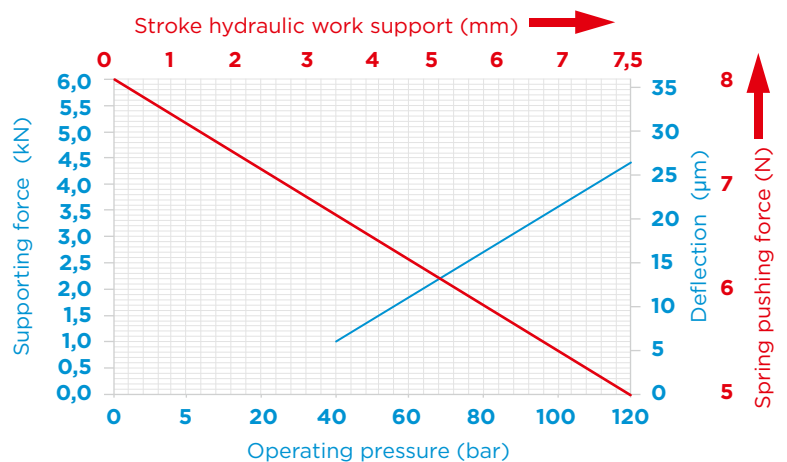


INSTALLATION DIMENSIONS



* Pneumatic supply: see page 401.

FORCE/PRESSURE/DEFLECTION DIAGRAM



Note:

Cylinder capacity 0.5 cm³
The maximum admissible flow rate amounts to 1.5 l/min.
For example of the graph, see Pag.344

Contact force:

- Standard 5÷8 N
- Upon request 6÷11 (order no. IRFP15.120H)

Included in the scope of supply:

- O-Ring Ø12.42x1.78
- O-Ring Ø31.42x1.78

Material:

- Piston/rod: Case-hardened steel, ground.
- Body: Free machining steel, nitrocarburized.

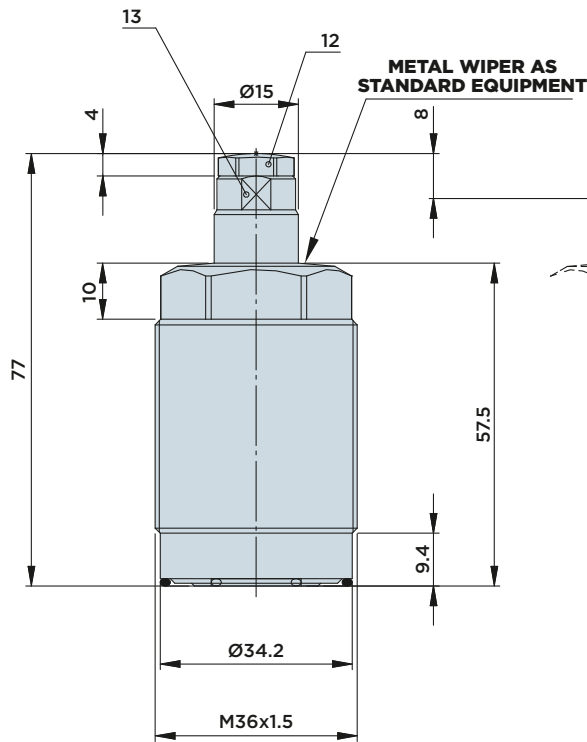


HYDROBLOCK

IRFM 15.120

HYDRAULIC WORK SUPPORT WITH **THREADED BODY**

MAX. OPERATING PRESSURE = **120BAR** - MIN. OPERATING PRESSURE = **40BAR**

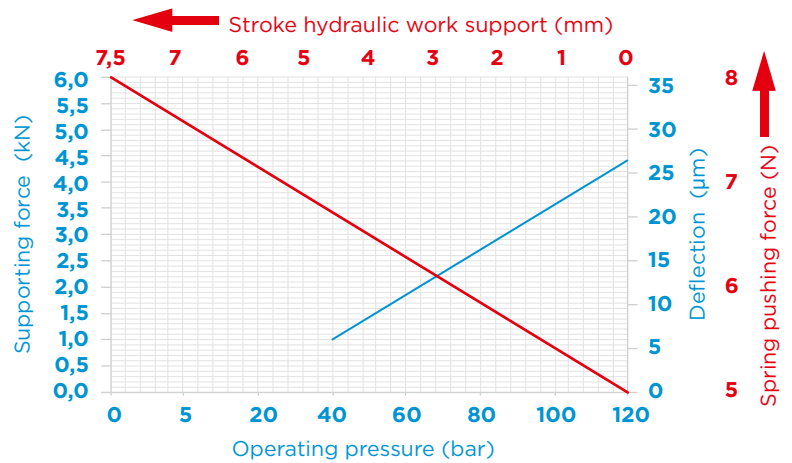


IRFM15.120

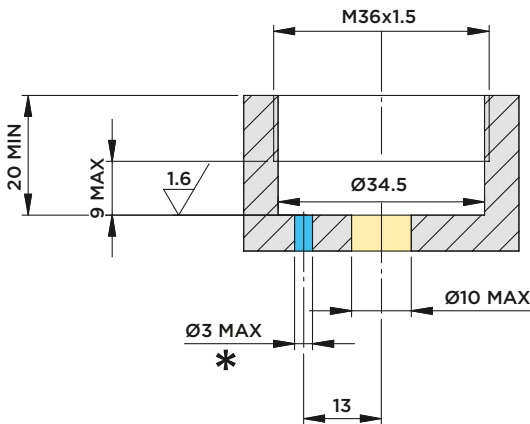
IRFP15.120V



FORCE/PRESSURE/DEFLECTION DIAGRAM



INSTALLATION DIMENSIONS



* Pneumatic supply: see page 401.

Note:

The maximum admissible flow rate amounts to 1.5 l/min. For example of the graph, see Pag.344

Contact force:

- Standard 5÷8 N
- Upon request 6÷11 (order no. IRFM15.120H)

Included in the scope of supply:

- O-Ring Ø12.42x1.78
- O-Ring Ø31.42x1.78

Material:

- Piston/rod: Case-hardened steel, ground.
- Body: Free machining steel, nitrocarburized.



HYDROBLOCK