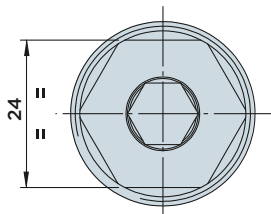
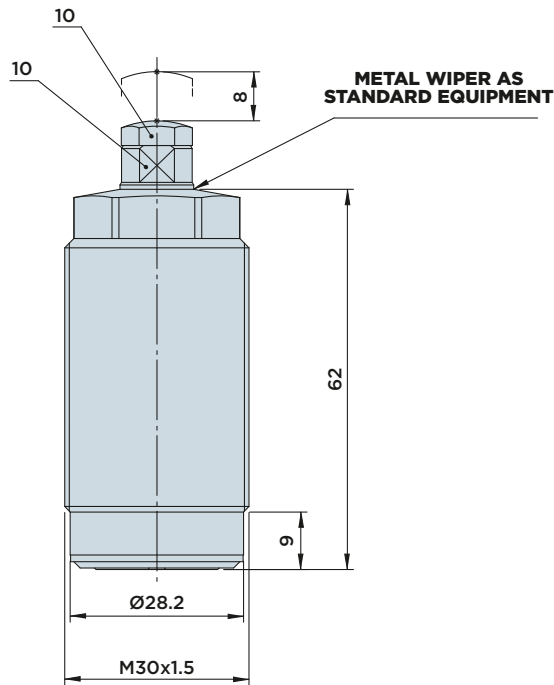
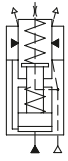


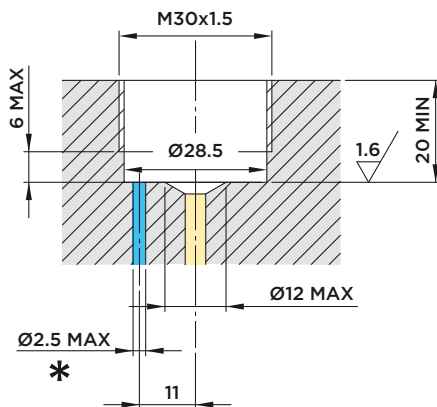
# IRFP 12.70

HYDRAULIC WORK SUPPORT WITH **THREADED BODY**

MAX. OPERATING PRESSURE = **70BAR** - MIN. OPERATING PRESSURE = **25BAR**



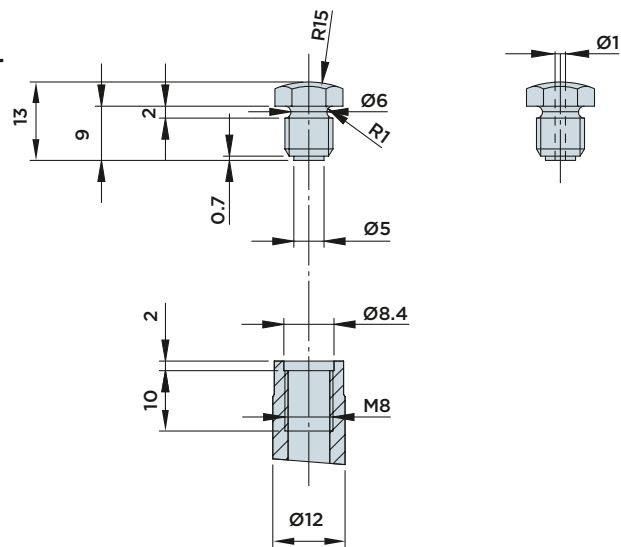
## INSTALLATION DIMENSIONS



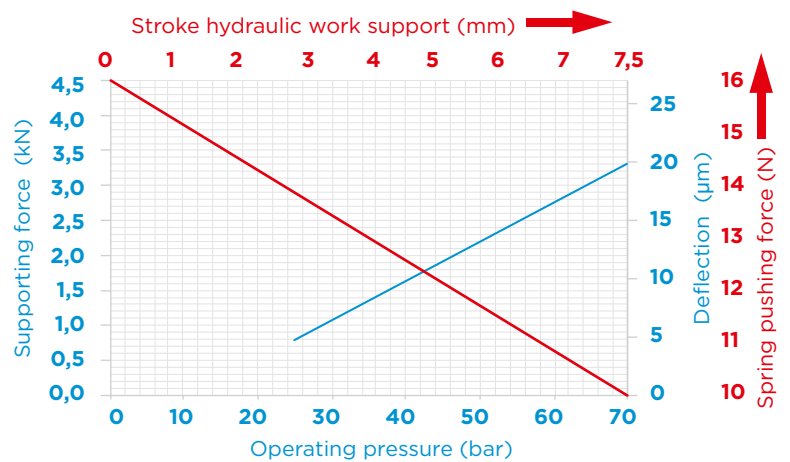
\* Pneumatic supply: see page 401.

IRFP12.70

IRFP12.70V



## FORCE/PRESSURE/DEFLECTION DIAGRAM



### Note:

Cylinder capacity 0.4 cm<sup>3</sup>  
The maximum admissible flow rate amounts to 1.5 l/min.  
For example of the graph, see Pag.344

### Contact force:

- Standard 10÷16 N
- Upon request 14÷20 (order no. IRFP12.70S)
- Upon request 20÷40 (order no. IRFP12.70H)

### Included in the scope of supply:

- O-Ring Ø14x1.78
- O-Ring Ø25.12x1.78

### Material:

- Piston/rod: Case-hardened steel, ground.
- Body: Free machining steel, nitrocarburized.

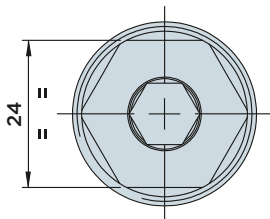
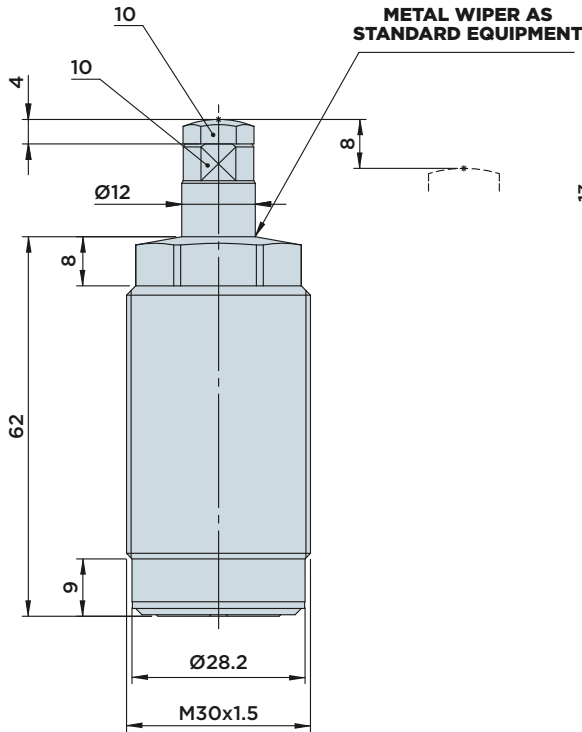


HYDROBLOCK

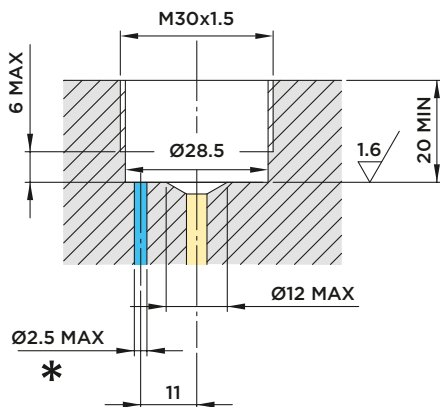
# IRFM 12.70

HYDRAULIC WORK SUPPORT WITH **THREADED BODY**

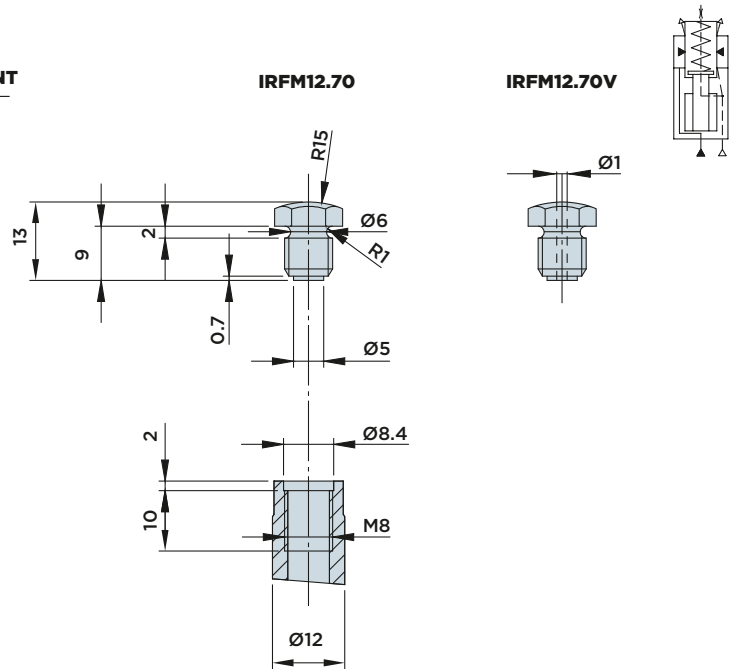
MAX. OPERATING PRESSURE = **70BAR** - MIN. OPERATING PRESSURE = **25BAR**



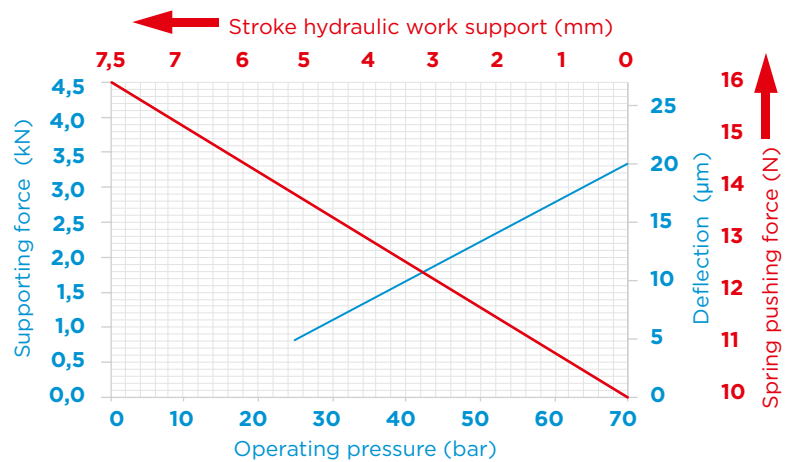
## INSTALLATION DIMENSIONS



\* Pneumatic supply: see page 401.



## FORCE/PRESSURE/DEFLECTION DIAGRAM



### Note:

The maximum admissible flow rate amounts to 1.5 l/min. For example of the graph, see Pag.344

### Contact force:

- Standard 10÷16 N
- Upon request 14÷20 (order no. IRFM12.70S)
- Upon request 20÷40 (order no. IRFM12.70H)

### Included in the scope of supply:

- O-Ring Ø14x1.78
- O-Ring Ø25.12x1.78

### Material:

- Piston/rod: Case-hardened steel, ground.
- Body: Free machining steel, nitrocarburized.



HYDROBLOCK