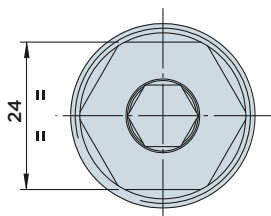
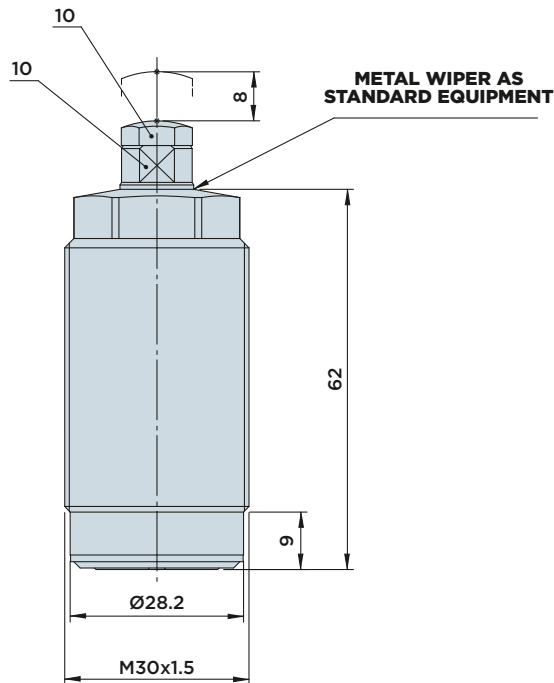
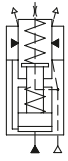


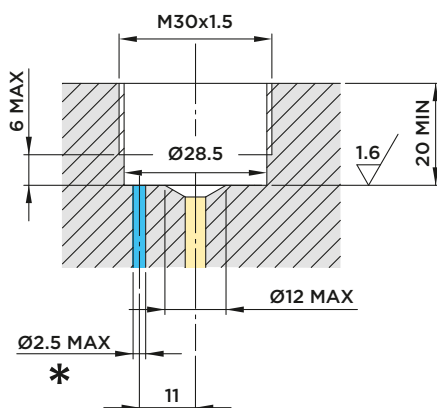
IRFP 12.120

HYDRAULIC WORK SUPPORT WITH **THREADED BODY**

MAX. OPERATING PRESSURE = **120BAR** - MIN. OPERATING PRESSURE = **40BAR**



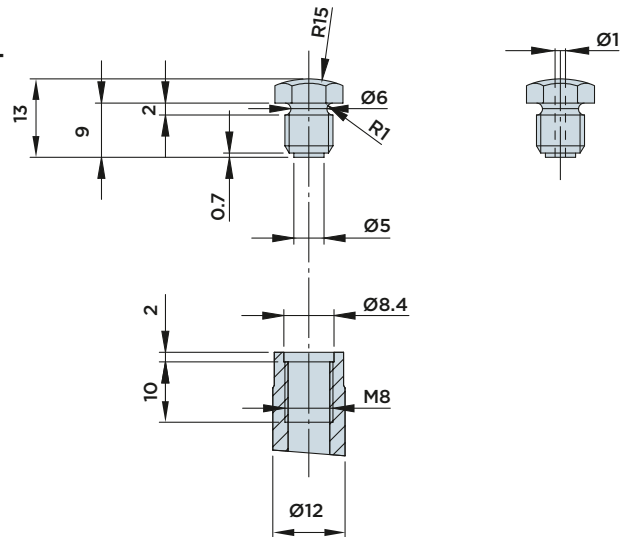
INSTALLATION DIMENSIONS



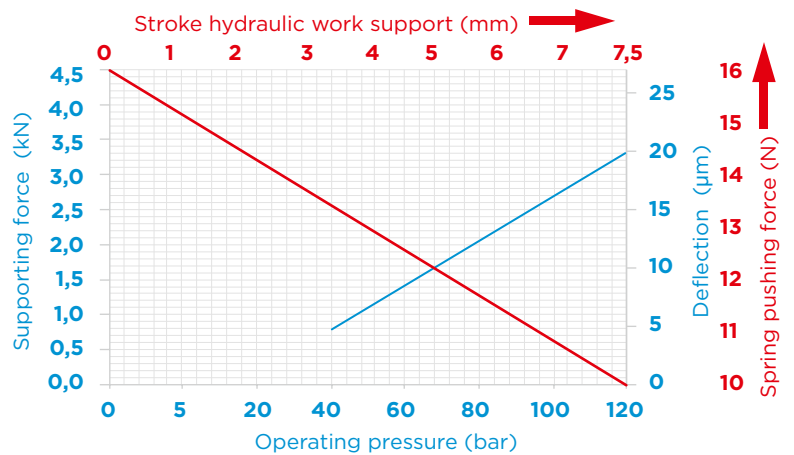
* Pneumatic supply: see page 401.

IRFP12.120

IRFP12.120V



FORCE/PRESSURE/DEFLECTION DIAGRAM



Note:

Cylinder capacity 0.4 cm³
The maximum admissible flow rate amounts to 1.5 l/min.
For example of the graph, see Pag.344

Contact force:

- Standard 10÷16 N
- Upon request 14÷20 (order no. IRFP12.120S)
- Upon request 20÷40 (order no. IRFP12.120H)

Included in the scope of supply:

- O-Ring Ø14x1.78
- O-Ring Ø25.12x1.78

Material:

- Piston/rod: Case-hardened steel, ground.
- Body: Free machining steel, nitrocarburized.

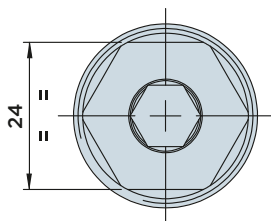
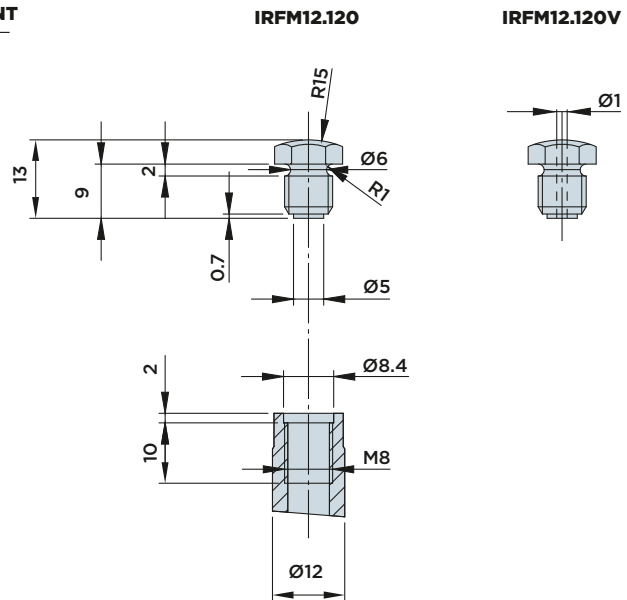
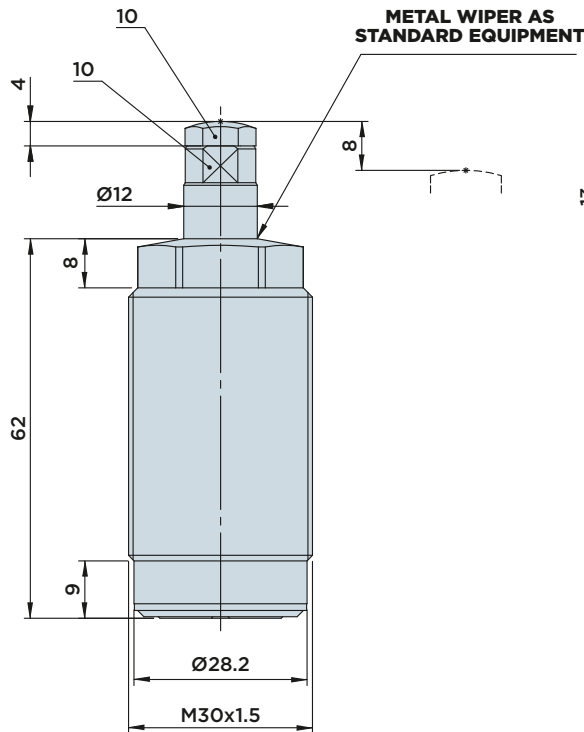


HYDROBLOCK

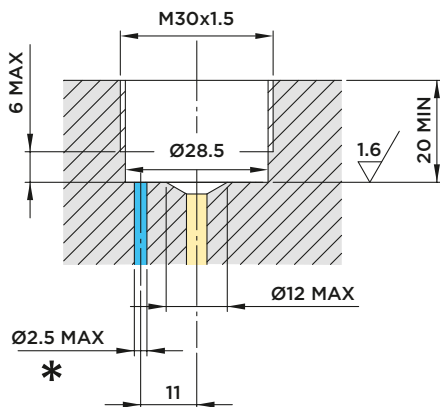
IRFM 12.120

HYDRAULIC WORK SUPPORT WITH **THREADED BODY**

MAX. OPERATING PRESSURE = **120BAR** - MIN. OPERATING PRESSURE = **40BAR**

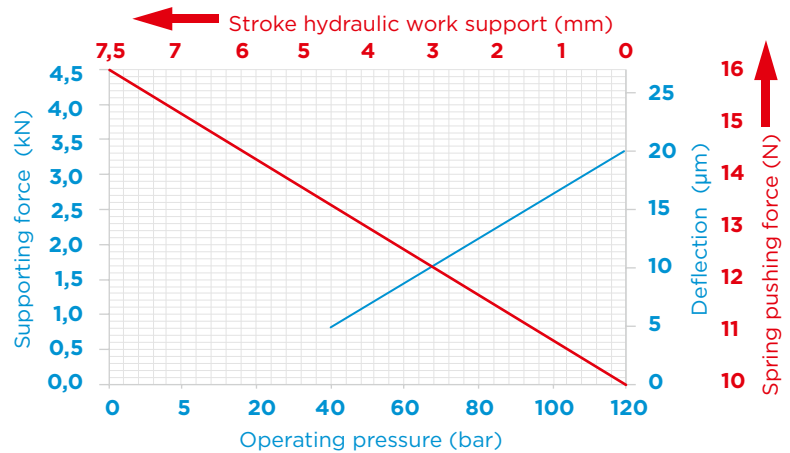


INSTALLATION DIMENSIONS



* Pneumatic supply: see page 401.

FORCE/PRESSURE/DEFLECTION DIAGRAM



Note:

The maximum admissible flow rate amounts to 1.5 l/min. For example of the graph, see Pag.344

Contact force:

- Standard 10÷16 N
- Upon request 14÷20 (order no. IRFM12.120S)
- Upon request 20÷40 (order no. IRFM12.120H)

Included in the scope of supply:

- O-Ring Ø14x1.78
- O-Ring Ø25.12x1.78

Material:

- Piston/rod: Case-hardened steel, ground.
- Body: Free machining steel, nitrocarburized.



HYDROBLOCK