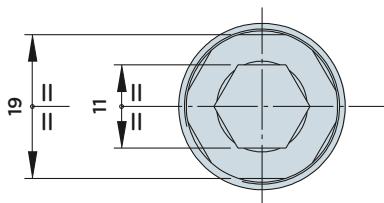
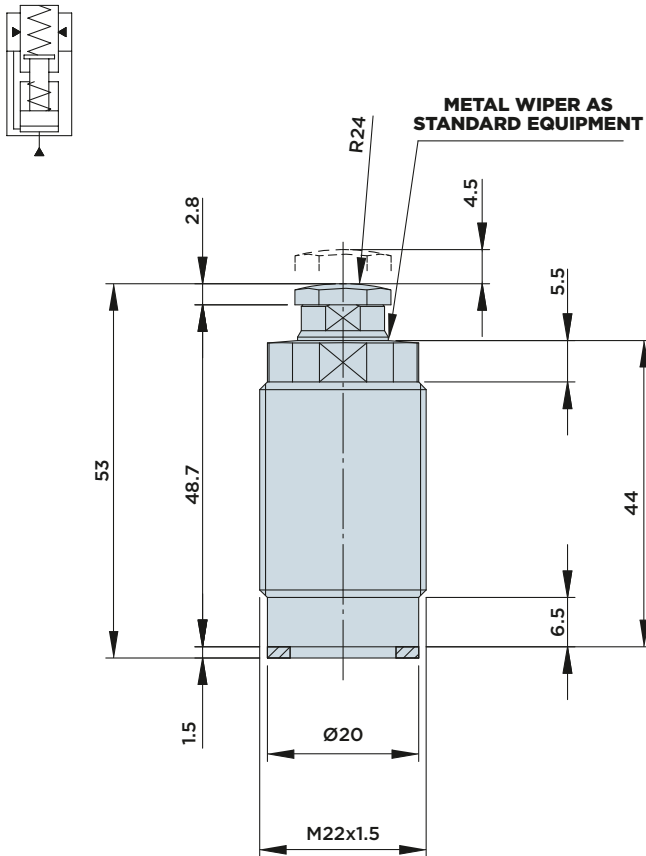


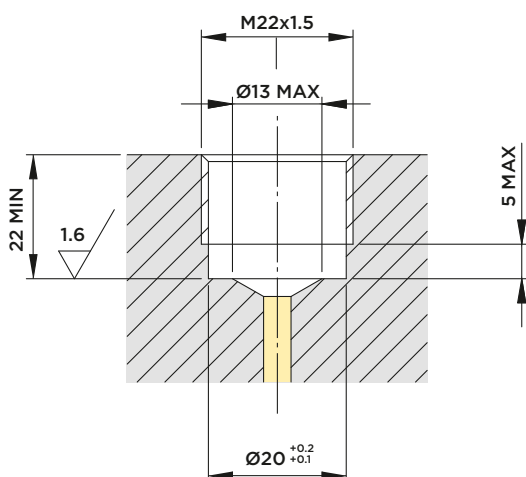
IRFP 12.1

HYDRAULIC WORK SUPPORT WITH **THREADED BODY**

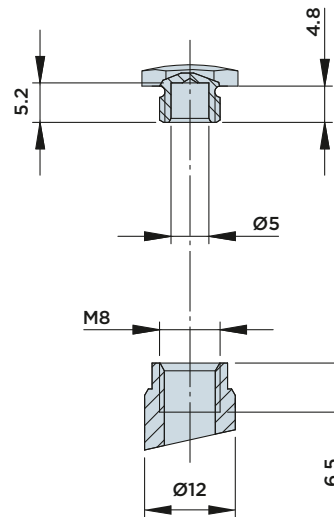
MAX. OPERATING PRESSURE = **350BAR** - MIN. OPERATING PRESSURE = **100BAR**



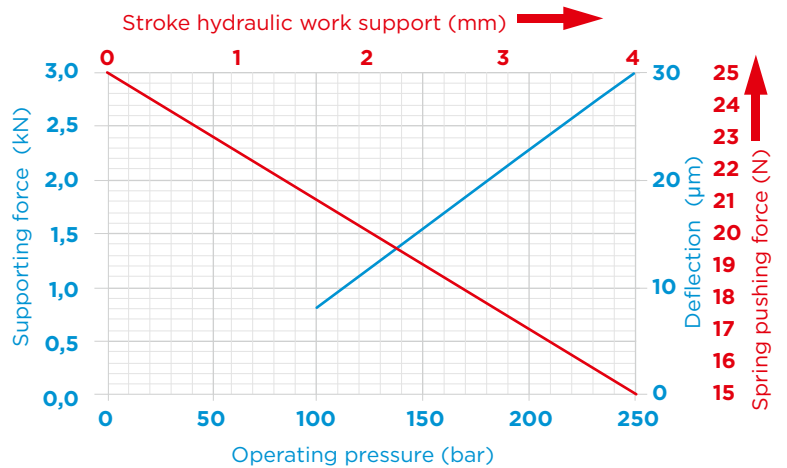
INSTALLATION DIMENSIONS



ATTENTION! This work support is designed to dampen vibrations, the use as fourth clamping point below the clamp arm must be thoroughly examined.



FORCE/PRESSURE/DEFLECTION DIAGRAM



Note:

Cylinder capacity 0.23 cm³
The maximum admissible flow rate amounts to 1.5 l/min.
For example of the graph, see Pag.344

Contact force:

- Standard 15÷25 N
- Upon request 8÷11 N (order no. IRFP12.350L)

Included in the scope of supply:

- Sealing ring Ø14xØ20x1.5

Material:

- Piston/rod: Case-hardened steel, ground.
- Body: Free machining steel, nitrocarburized.



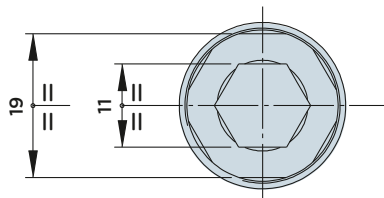
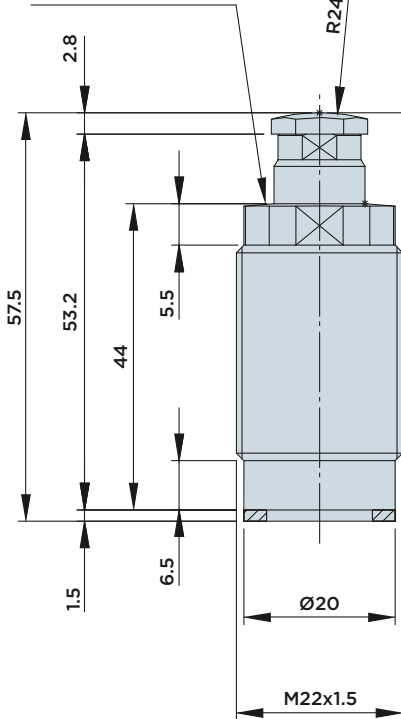
HYDROBLOCK

IRFM 12.1

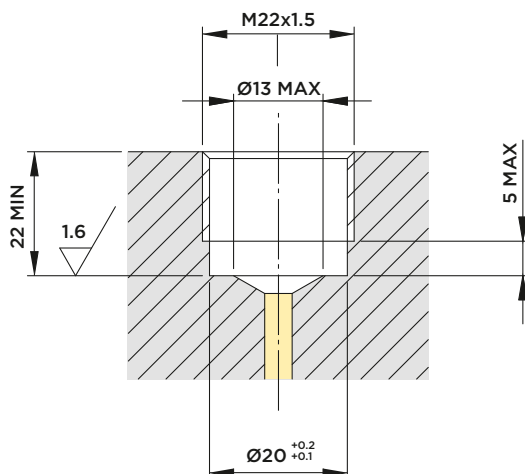
HYDRAULIC WORK SUPPORT WITH **THREADED BODY**

MAX. OPERATING PRESSURE = **350BAR** - MIN. OPERATING PRESSURE = **100BAR**

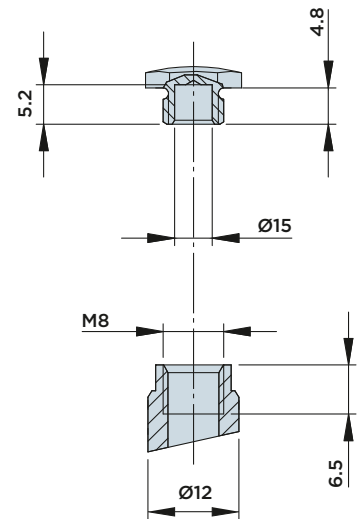
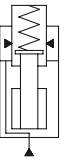
METAL WIPER AS STANDARD EQUIPMENT



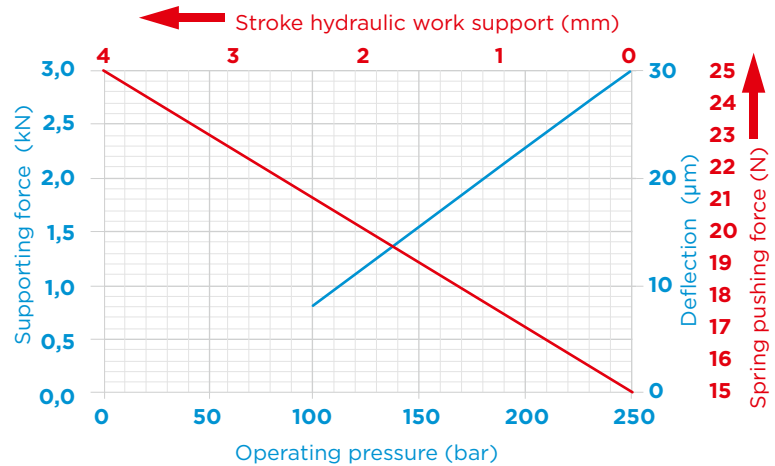
INSTALLATION DIMENSIONS



ATTENTION! This work support is designed to dampen vibrations, the use as fourth clamping point below the clamp arm must be thoroughly examined.



FORCE/PRESSURE/DEFLECTION DIAGRAM



Note:

The maximum admissible flow rate amounts to 1.5 l/min. For example of the graph, see Pag.344

Contact force:

- Standard 15÷25 N
- Upon request 8÷11 N (order no. IRFM12.350L)

Included in the scope of supply:

- Sealing ring Ø14xØ20x1.5

Material:

- Piston/rod: Case-hardened steel, ground.
- Body: Free machining steel, nitrocarburized.



HYDROBLOCK