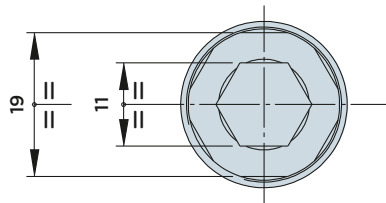
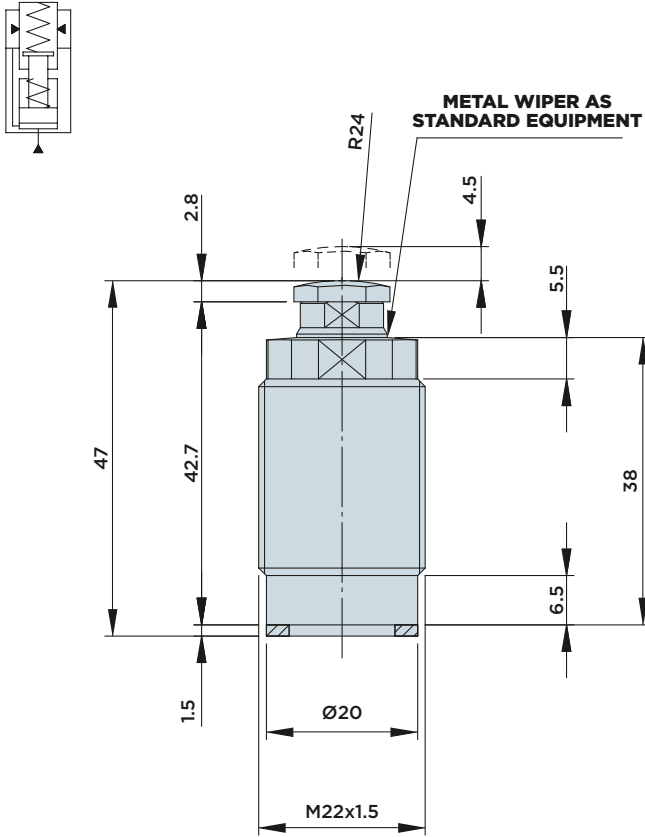


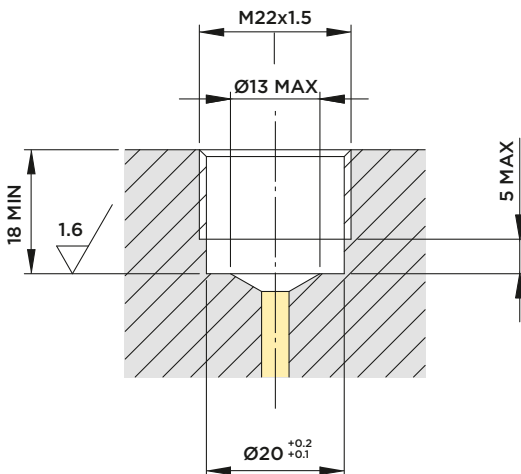
# IRFP 12.0

HYDRAULIC WORK SUPPORT WITH **THREADED BODY**

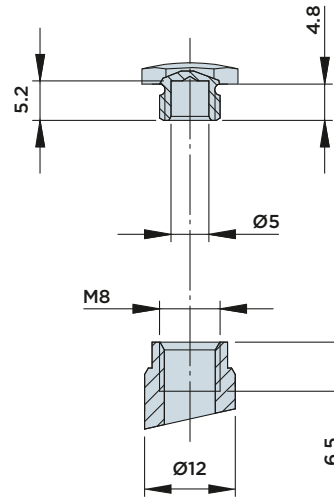
MAX. OPERATING PRESSURE = **350BAR** - MIN. OPERATING PRESSURE = **100BAR**



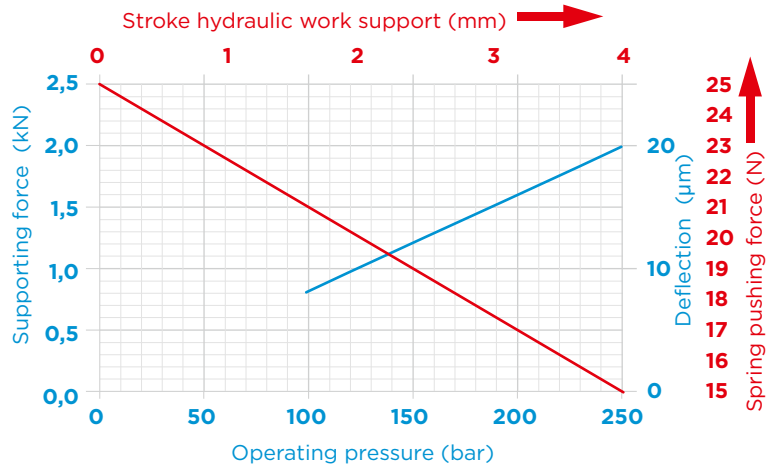
## INSTALLATION DIMENSIONS



**ATTENTION!** This work support is designed to dampen vibrations, the use as fourth clamping point below the clamp arm must be thoroughly examined.



## FORCE/PRESSURE/DEFLECTION DIAGRAM



### Note:

Cylinder capacity 0.23 cm<sup>3</sup>  
The maximum admissible flow rate amounts to 1.5 l/min.  
For example of the graph, see Pag.344

### Contact force:

- Standard 15÷25 N
- Upon request 8÷11 N (order no. IRFP12.350L)

### Included in the scope of supply:

- Sealing ring Ø14xØ20x1.5

### Material:

- Piston/rod: Case-hardened steel, ground.
- Body: Free machining steel, nitrocarburized.



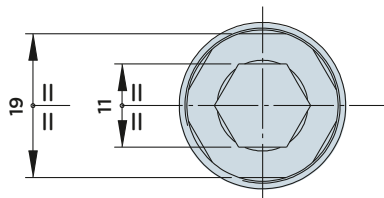
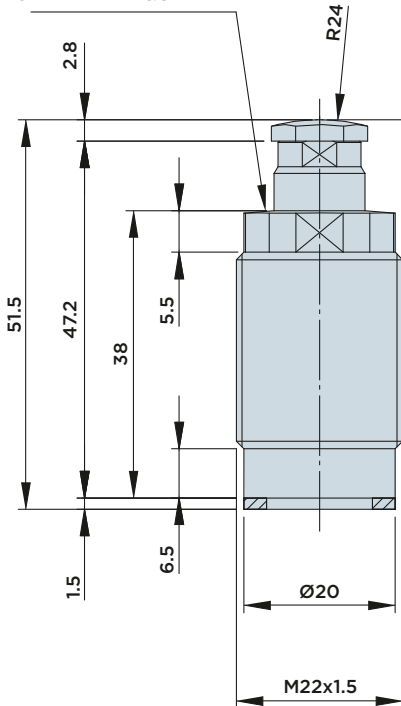
HYDROBLOCK

# IRFM 12.0

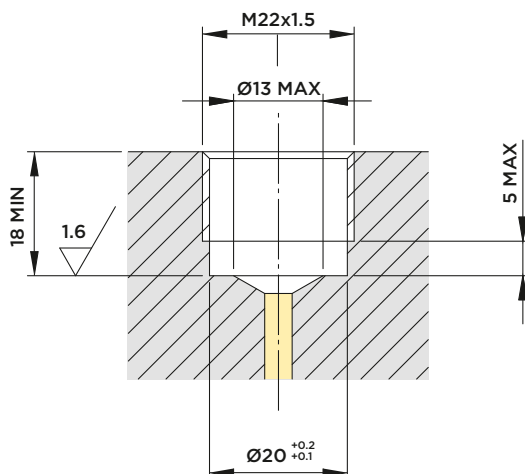
HYDRAULIC WORK SUPPORT WITH **THREADED BODY**

MAX. OPERATING PRESSURE = **350BAR** - MIN. OPERATING PRESSURE = **100BAR**

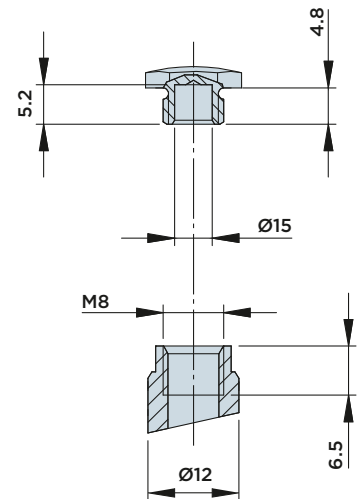
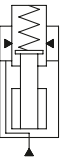
**METAL WIPER AS STANDARD EQUIPMENT**



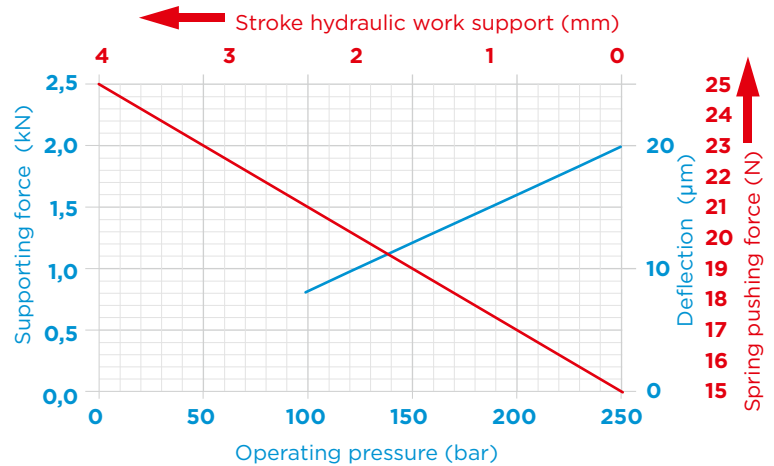
## INSTALLATION DIMENSIONS



**ATTENTION!** This work support is designed to dampen vibrations, the use as fourth clamping point below the clamp arm must be thoroughly examined.



## FORCE/PRESSURE/DEFLECTION DIAGRAM



### Note:

The maximum admissible flow rate amounts to 1.5 l/min. For example of the graph, see Pag.344

### Contact force:

- Standard 15÷25 N
- Upon request 8÷11 N (order no. IRFM12.350L)

### Included in the scope of supply:

- Sealing ring Ø14xØ20x1.5

### Material:

- Piston/rod: Case-hardened steel, ground.
- Body: Free machining steel, nitrocarburized.



HYDROBLOCK