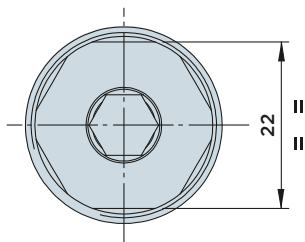
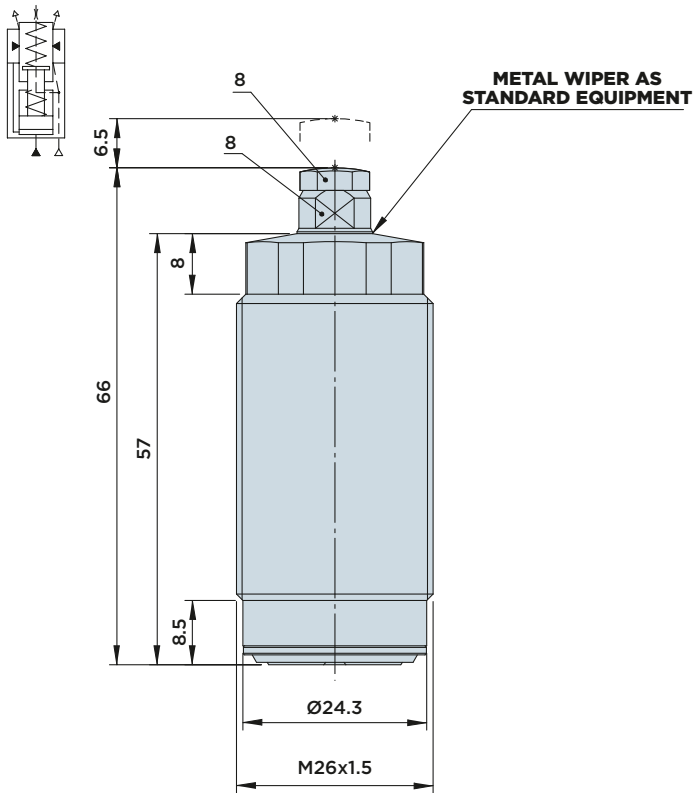


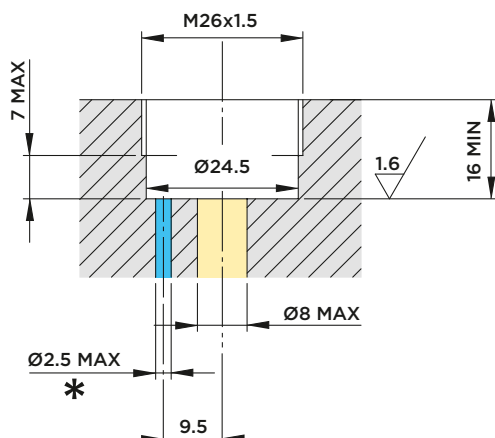
IRFP 10.70

HYDRAULIC WORK SUPPORT WITH **THREADED BODY**

MAX. OPERATING PRESSURE = **70BAR** - MIN. OPERATING PRESSURE = **25BAR**



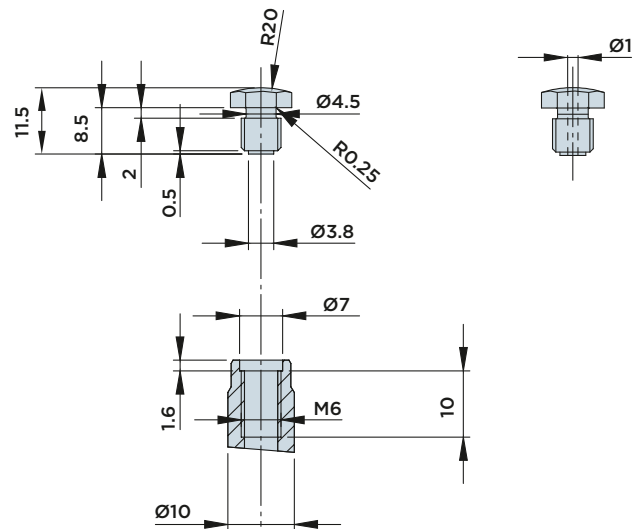
INSTALLATION DIMENSIONS



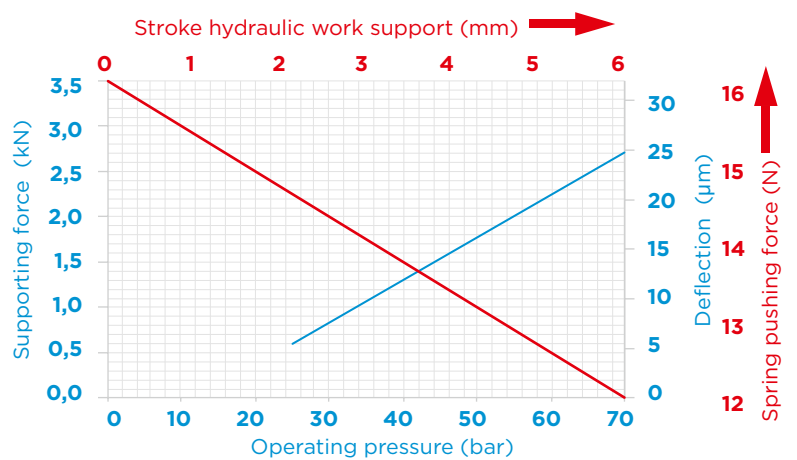
* Pneumatic supply: see page 401.

IRFP10.70

IRFP10.70V



FORCE/PRESSURE/DEFLECTION DIAGRAM



Note:

Cylinder capacity 0.32 cm³
The maximum admissible flow rate amounts to 1.5 l/min.
For example of the graph, see Pag.344

Contact force:

- Standard 12÷16 N
- Upon request 10÷15 (order no. IRFP10.70S)
- Upon request 14÷25 (order no. IRFP10.70H)

Included in the scope of supply:

- O-Ring Ø12.42x1.78
- O-Ring Ø21.95x1.78

Material:

- Piston/rod: Case-hardened steel, ground.
- Body: Free machining steel, nitrocarburized.

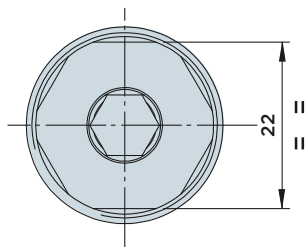
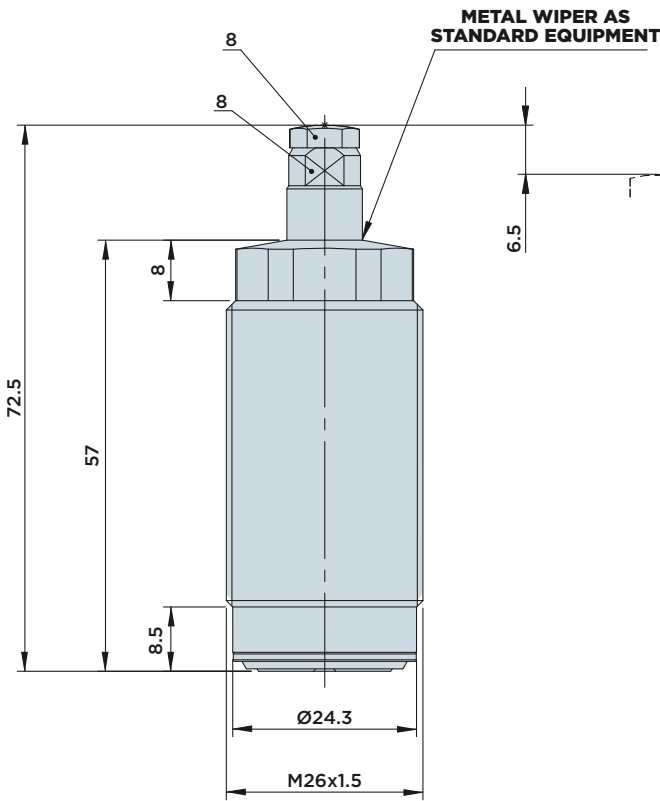


HYDROBLOCK

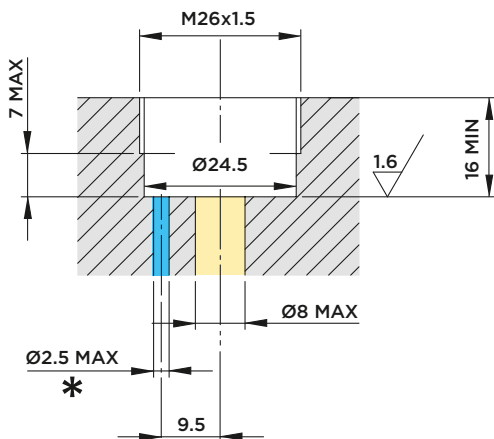
IRFM 10.70

HYDRAULIC WORK SUPPORT WITH **THREADED BODY**

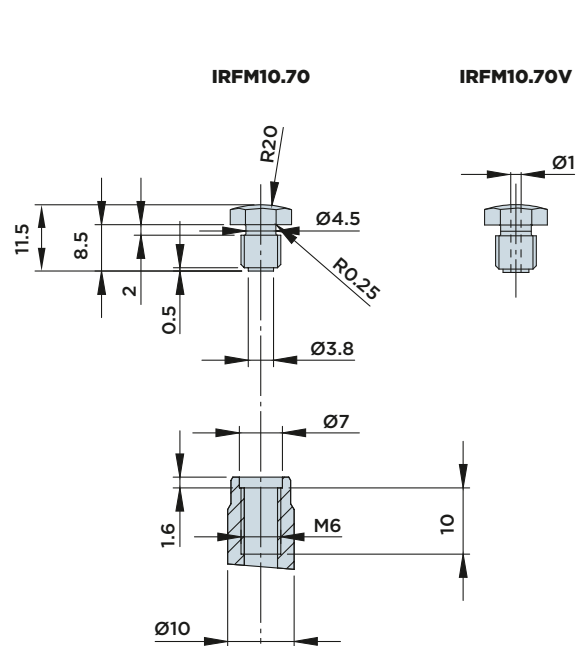
MAX. OPERATING PRESSURE = **70BAR** - MIN. OPERATING PRESSURE = **25BAR**



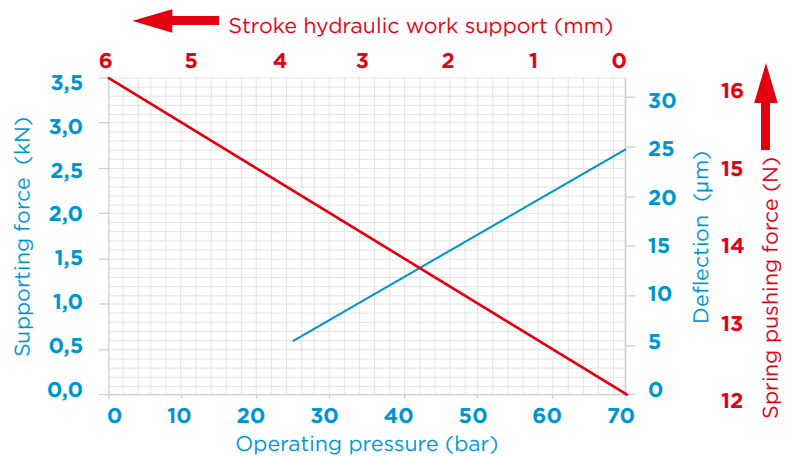
INSTALLATION DIMENSIONS



* Pneumatic supply: see page 401.



FORCE/PRESSURE/DEFLECTION DIAGRAM



Note:

The maximum admissible flow rate amounts to 1.5 l/min. For example of the graph, see Pag.344

Contact force:

- Standard 12÷16 N
- Upon request 10÷15 (order no. IRFM10.70S)
- Upon request 14÷25 (order no. IRFM10.70H)

Included in the scope of supply:

- O-Ring Ø12.42x1.78
- O-Ring Ø21.95x1.78

Material:

- Piston/rod: Case-hardened steel, ground.
- Body: Free machining steel, nitrocarburized.



HYDROBLOCK