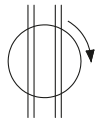


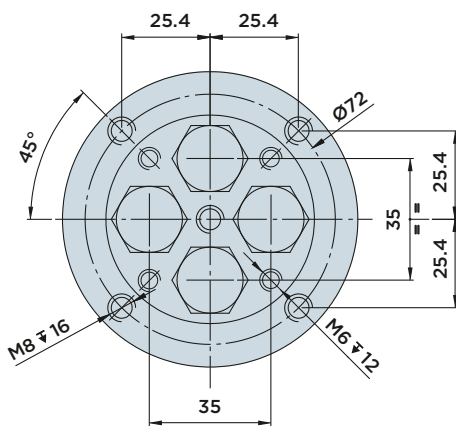
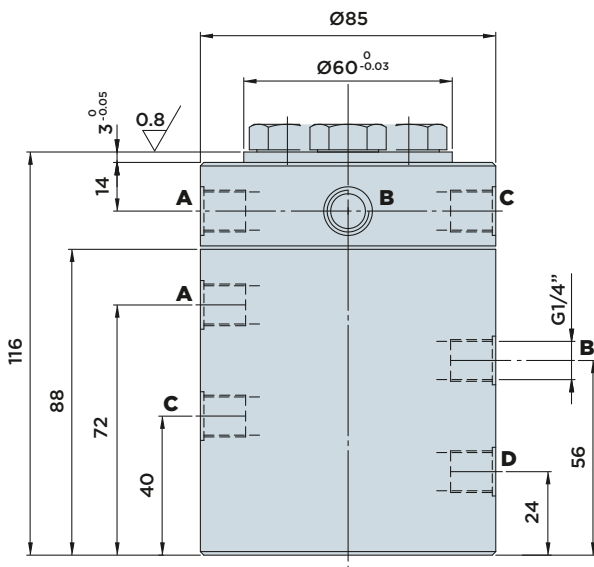
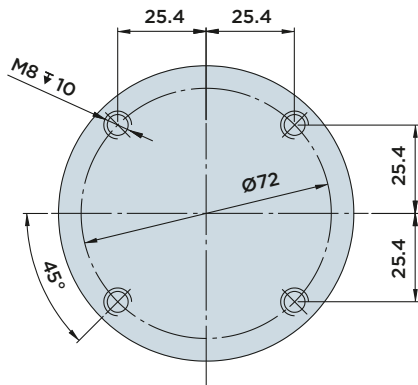
# GV ROTARY JOINTS

MULTI-PASSAGE ROTARY JOINTS WITHOUT LEAKAGE RECIRCULATION

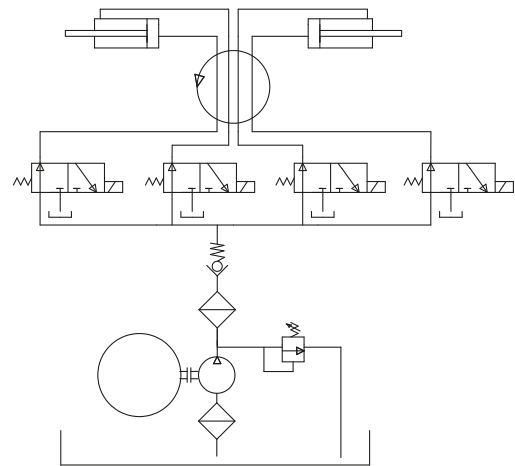
MAX. OPERATING PRESSURE = 400BAR



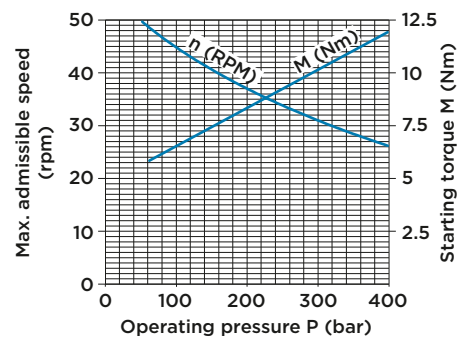
## GV4 FOUR-PASSAGE ROTARY JOINT



### HYDRAULIC DIAGRAM



Max. admissible speed  $n$  and corresponding starting torque  $M$  as a function of the operating pressure  $P$



### GV4 four-passage rotary joint

Fixing	Flanged, 4 bores, M8 $\nabla$ 16
Ports	1/4" BSPP
Angular speed	Max. 50 rpm
Weight (kg)	4.6



HYDROBLOCK