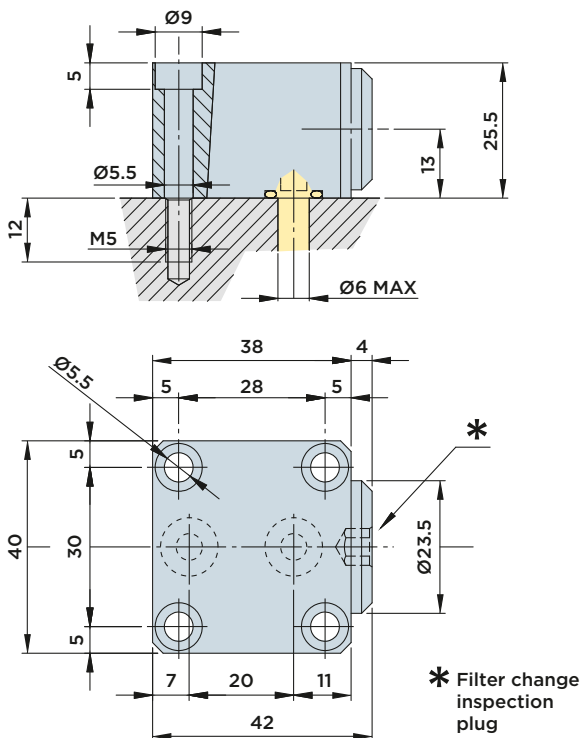


FILTER ELEMENTS



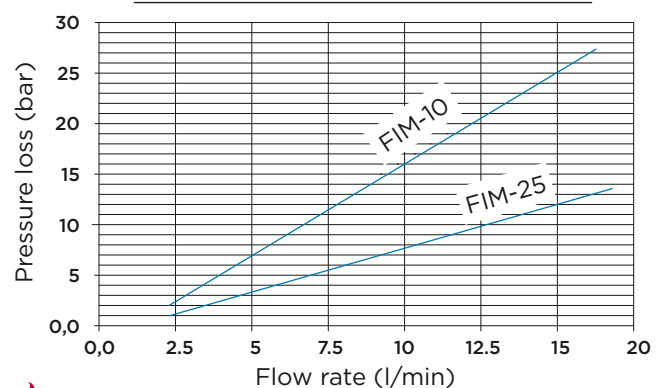
FIM-XX MODULAR FILTER



The **FIM-10** is a modular filter of particularly compact design. The complex filtering system with two flow directions is made of special steel; the nominal mesh size is 10/25 micron. The filter insert can be easily checked and replaced. The zinc-plated metal body is particularly suitable for installation in state-of-the-art machine tools and offers optimum protection for hydraulic clamping systems, valves and pressure intensifiers. These filters are also indispensable for systems equipped with manual or automatic quick-action couplings, where a contamination of the hydraulic circuit by chips and metal particles can hardly be avoided during coupling and uncoupling.

Filter mesh size: 10µm - Order number: FIM-10
Filter mesh size: 25µm - Order number: FIM-25

DIAGRAM



Technical specifications:

- Max. operating pressure: 350bar
- Temperature range: 5-60°C
- Medium: Hydraulic fluid on mineral oil basis 32Cst

Included in the scope of supply:

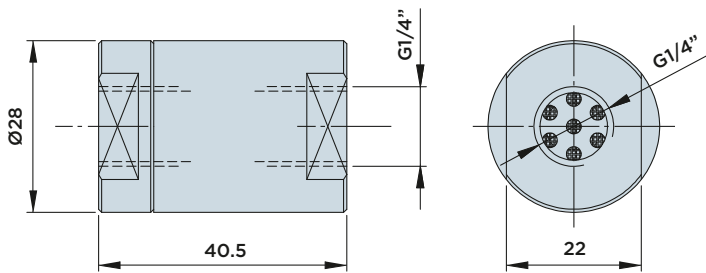
- Mounting screws M5x30 DIN 912/12.9 grade
- O-Rings Ø7.65x1.78



HYDROBLOCK

FILTER ELEMENTS

FIL14-XX IN-LINE FILTER



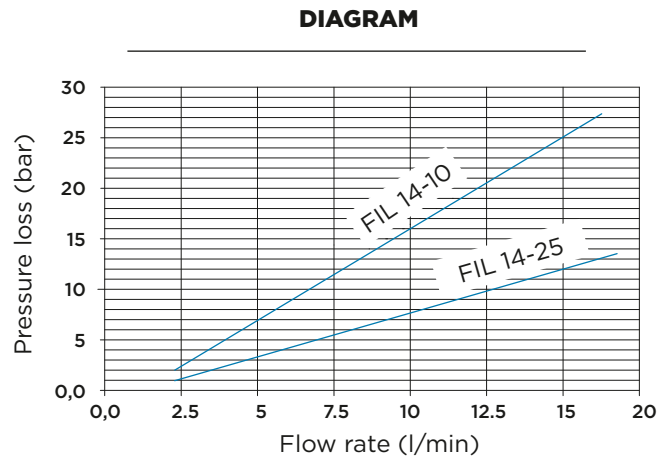
Technical specifications:

- Max. operating pressure: 350bar
- Temperature range: 5-60°C
- Medium: Hydraulic fluid on mineral oil basis 32Cst

The FIL14-10 filter was especially developed for the requirements in machine tool manufacturing.

Space-saving: With a length of 40.5 mm and a diameter of 28 mm, this filter offers optimum protection while requiring a minimum of space.

Reliable: Perfect protection of all hydraulic components, in particular sensitive coupling units, valves, cylinders, pressure intensifiers, etc.



Filter mesh size: 10µm - Order number: FIL14-10
Filter mesh size: 25µm - Order number: FIL14-25

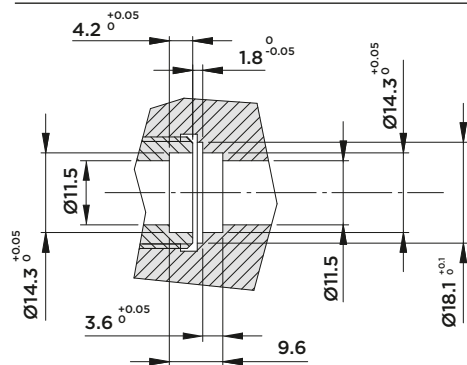
Safe: Even when clogged, the filter will not collapse.

Universal: Filter with two flow directions, upon request it is also available with 25 µm. The filter cartridges can also separately be used, e.g. be integrated into bored channels.

Low-maintenance: All internal components are corrosion resistant and easy to clean or replace.

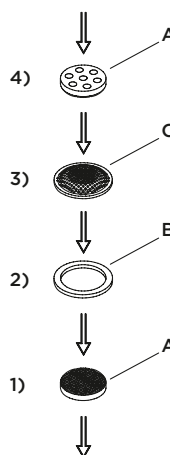
FIC-XX MOUNTING OF THE BUILT-IN FILTER

INSTALLATION DIMENSIONS OF THE FILTER UNIT

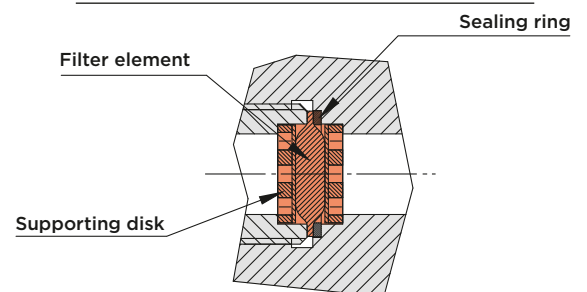


NOTE Before installing the individual components in the cavity, make sure that the seats are perfectly clean.

- 1) Insert the supporting disk "A" into the $\varnothing 14.3$ seat and centre it. Make sure to install the disk in the direction indicated in the figure.
- 2) Fit the Teflon washer "B" in the $\varnothing 18.1$ seat.



INSTALLED FILTER UNIT



Filter mesh size: 10µm - Order number: FIC-10
Filter mesh size: 25µm - Order number: FIC-25

- 3) Install the filter element "C" and centre it in the Teflon washer.
- 4) Fit the second supporting disk "A" such as to ensure that the side with the thermo-sealed mesh is in contact with the filter element "C" (see figure). Upon request, the filter unit is also available with a filtration degree of 25 micron.



BSFXX

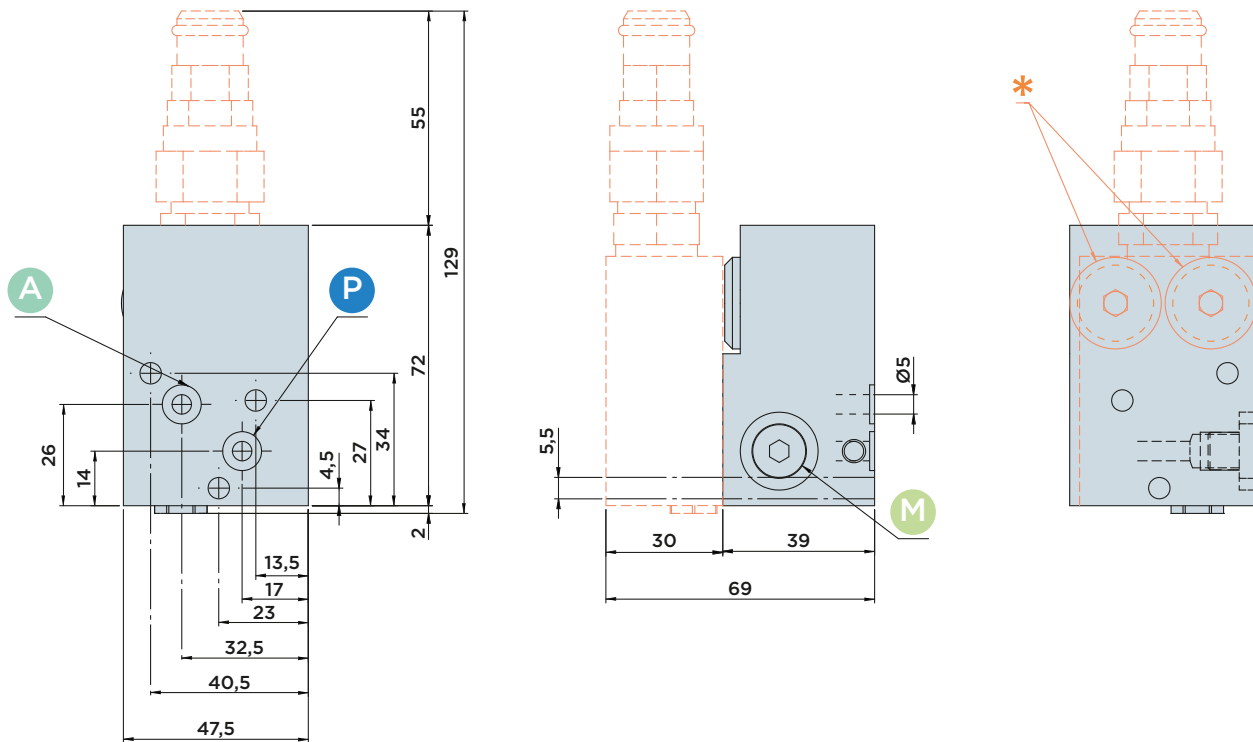
FLANGED FILTER BLOCK FOR VSQM30R AND COMPATIBLE SEQUENCE VALVES

A : Outlet

P : Inlet

M : Pressure gauge socket

*
Filter inspection/
replacement caps



Like all slide or gate valves, to maintain reliable performance, cycle after cycle, sequence valves **REQUIRE CLEAN OIL.**

Designed to meet the need to keep the oil flowing through the sequences clean, the flanged filter block BSFxx is fit with an inserted double filter that can be inspected and replaced.

With the BSFxx filter block installed, the sequences can guarantee reliable, long-term performance and most operating anomalies inherent to sequenced circuits are eliminated.

NOTE BSFxx blocks can be installed on any VSQM30R interface without requiring any modifications: just replace the securing screws of the old VSQM30R valves with the longer screws provided.

By replacing the old sequences with new ones equipped with BSFxx filter block, even old units will operate more reliably: the “used” oil passing through the sequences will be filtered perfectly, thus ensuring stable sequence performance.

Included in the scope of supply:

- O-Rings Ø6.75x1.78
- Order number: BFS filter mesh size (10 or 25)
- Example: BSF10 filter block - filter mesh size: 10 micron
- BSF25 filter block - filter mesh size: 25 micron
- Mounting screws M5x80 DIN 912/12.9 grade



HYDROBLOCK