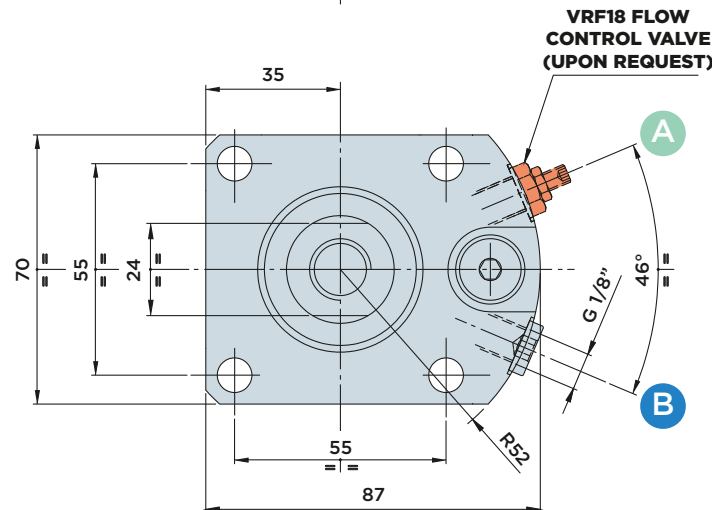
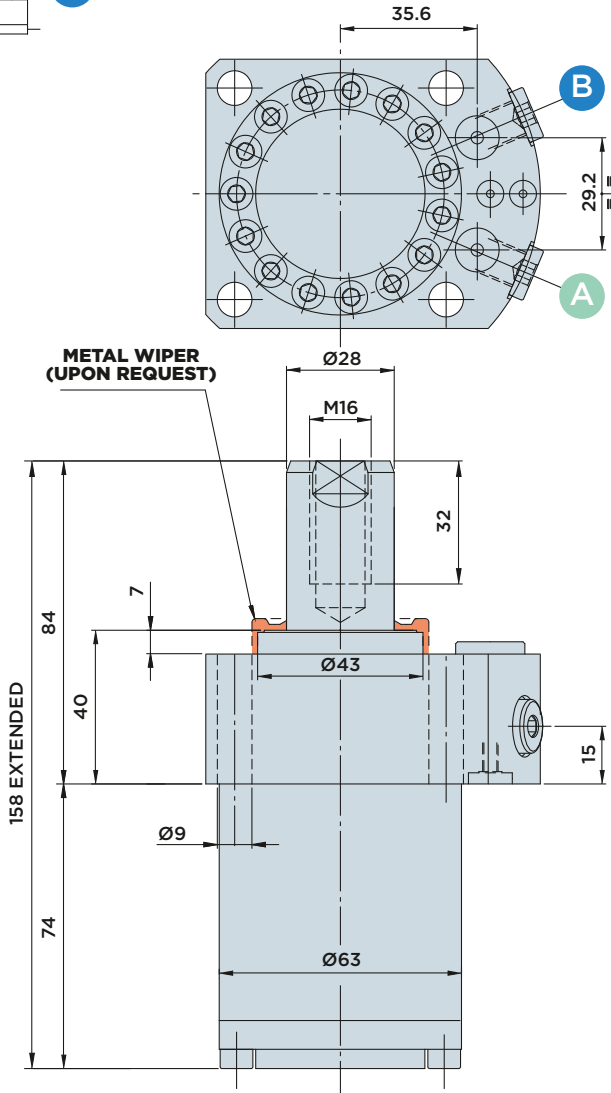
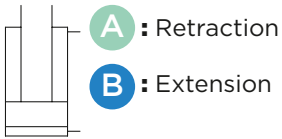


# CT28.0 FD

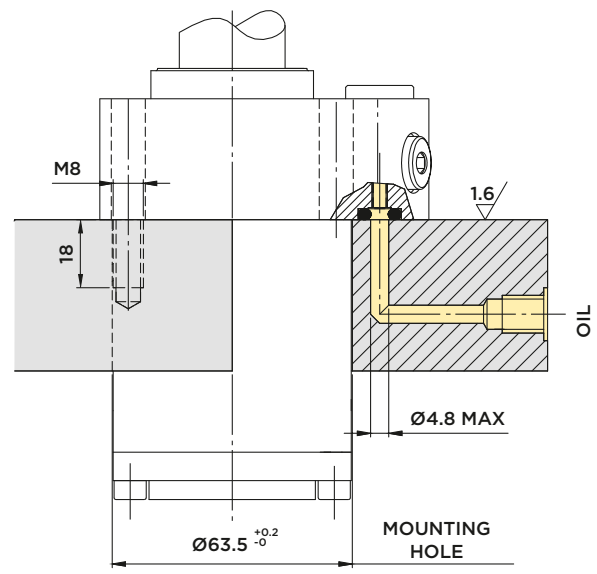


DOUBLE-ACTING PULL/PUSH CYLINDER WITH **UPPER FLANGE**  
AND **ANTIROTATION DEVICE**

MAX. OPERATING PRESSURE = 500BAR



## INSTALLATION DIMENSIONS WITH O-RING CONNECTION



### Included in the scope of supply:

- Mounting screws M8x45 DIN 912/12.9 grade
- O-rings  $\text{Ø}4.34 \times 3.53$

### Variants:

- Overload clutch (upon request).
- Metal wiper (upon request).

### Material:

- Piston/rod: Case-hardened steel, ground.
- Body: Free machining steel, nitrocarburized.

### Options:

- Different swinging angles available upon request (order code as for the SR series, see page 58 Example: CT28.0FDR90)
- The cylinder can also be ordered without antirotation device (order no. CT28.0FDN)

### Note:

Clamping force diagram, see page 145

| STROKE<br>mm | EFFECTIVE PISTON AREA |        | TOTAL OIL VOLUME |        |      |
|--------------|-----------------------|--------|------------------|--------|------|
|              | Cm <sup>2</sup>       |        | Cm <sup>3</sup>  |        |      |
|              | RETRAC.               | EXTEN. | RETRAC.          | EXTEN. |      |
| <b>TOTAL</b> | 28                    | 9.75   | 15.9             | 27.3   | 44.5 |



HYDROBLOCK

# CT28.0 CD

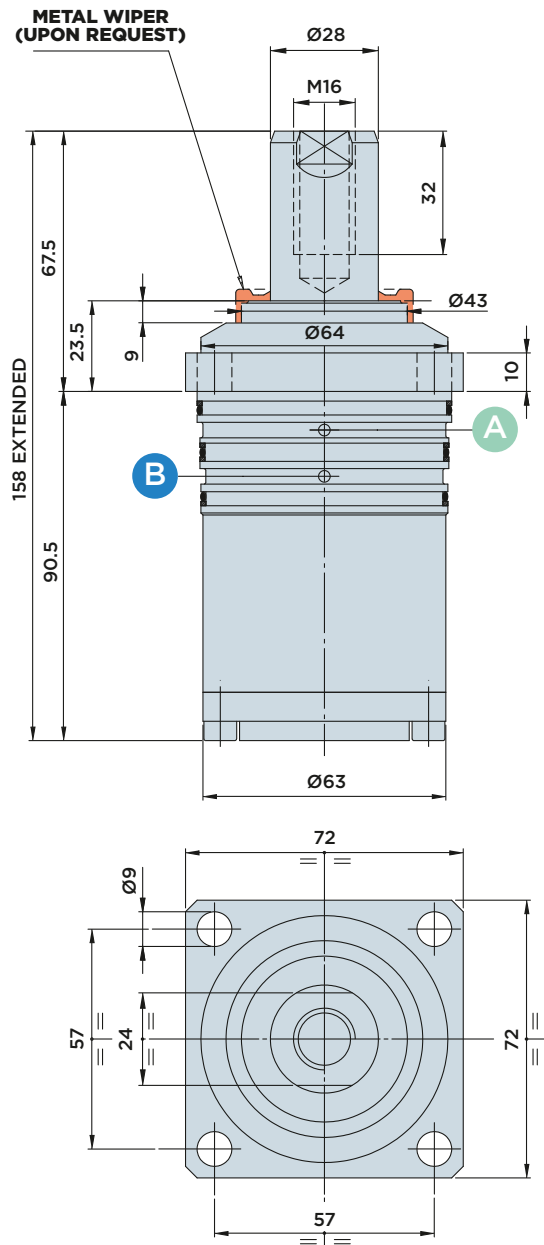


DOUBLE-ACTING PULL/PUSH CYLINDER WITH **CARTRIDGE BODY**  
AND **ANTIROTATION DEVICE**

MAX. OPERATING PRESSURE = 500BAR

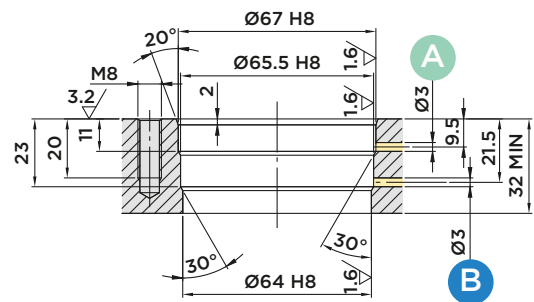
**A** : Retraction

**B** : Extension

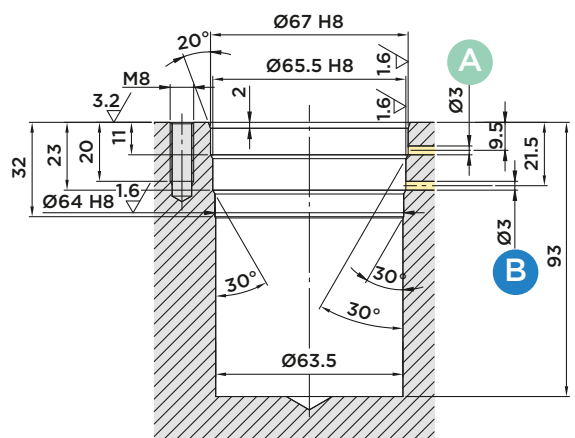


## INSTALLATION DIMENSIONS

### Through-hole mounting



### Blind hole mounting



### Options:

- Different swinging angles available upon request  
(order code as for the SR series, see page 58  
Example: CT28.0CDR90)
- The cylinder can also be ordered without antirotation device (order no. CT28.0CDN)

### Included in the scope of supply:

- Mounting screws M8x25 DIN 912/12.9 grade

### Material:

- Piston/rod: Case-hardened steel, ground.
- Body: Free machining steel, nitrocarburized.

### Note:

Clamping force diagram, see page 145

| STROKE<br>mm | EFFECTIVE<br>PISTON AREA |        | TOTAL OIL<br>VOLUME |         |      |
|--------------|--------------------------|--------|---------------------|---------|------|
|              | Cm <sup>2</sup>          |        | Cm <sup>3</sup>     |         |      |
|              | RETRAC.                  | EXTEN. | RETRAZ.             | RETRAC. |      |
| <b>TOTAL</b> | 28                       | 9.75   | 15.9                | 27.3    | 44.5 |



HYDROBLOCK