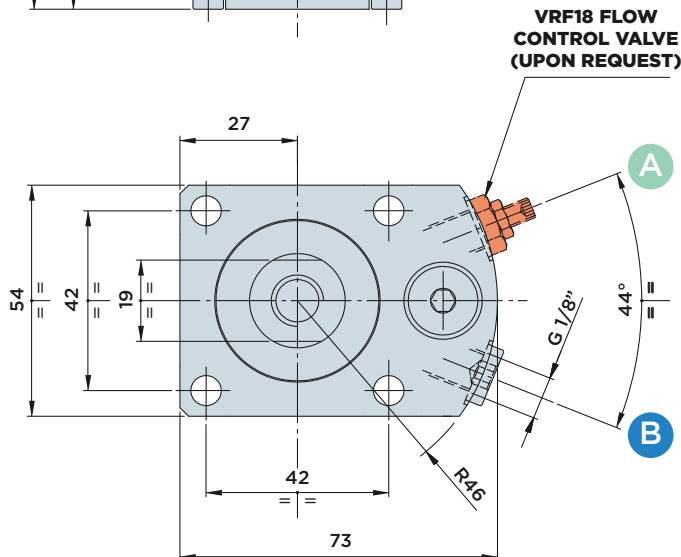
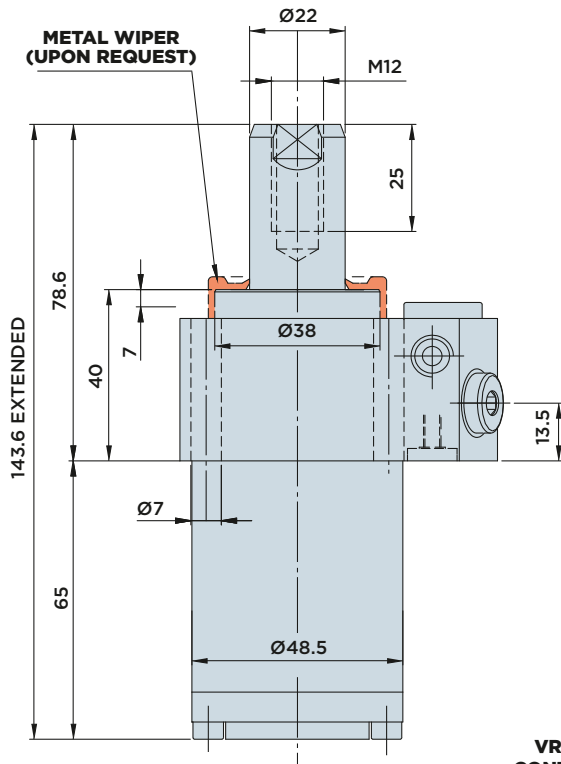
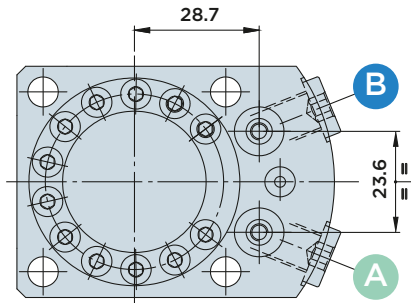
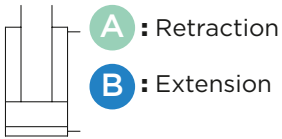


CT22.0 FD

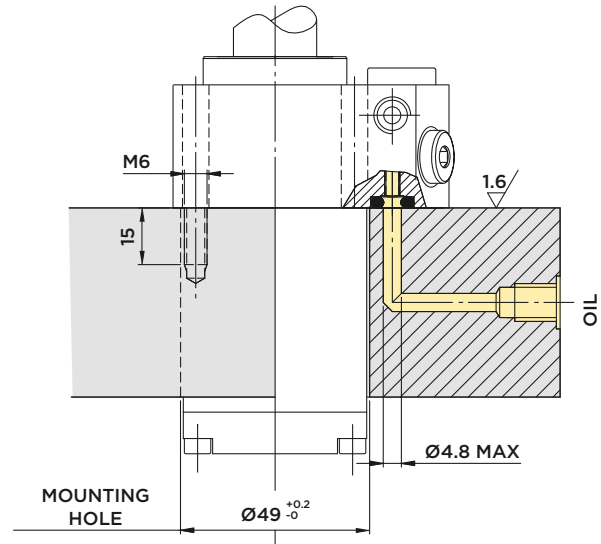


DOUBLE-ACTING PULL/PUSH CYLINDER WITH **UPPER FLANGE**
AND **ANTIROTATION DEVICE**

MAX. OPERATING PRESSURE = 500BAR



INSTALLATION DIMENSIONS WITH O-RING CONNECTION



Included in the scope of supply:

- Mounting screws M6x45 DIN 912/12.9 grade
- O-rings Ø4.34x3.53

Variant:

- Overload clutch (upon request).
- Metal wiper (upon request).

Material:

- Piston/rod: Case-hardened steel, ground.
- Body: Free machining steel, nitrocarburized.

Options:

- Different swinging angles available upon request (order code as for the SR series, see page 58 Example: CT22.0FDR90)
- The cylinder can also be ordered without antirotation device (order no. CT22.0FDN)

Note:

Clamping force diagram, see page 103

STROKE mm	EFFECTIVE PISTON AREA		TOTAL OIL VOLUME		
	Cm ²		Cm ³		
	RETRAC.	EXTEN.	RETRAC.	EXTEN.	
TOTAL	25	5.27	9.07	13.2	22.6



HYDROBLOCK

CT22.0 CD

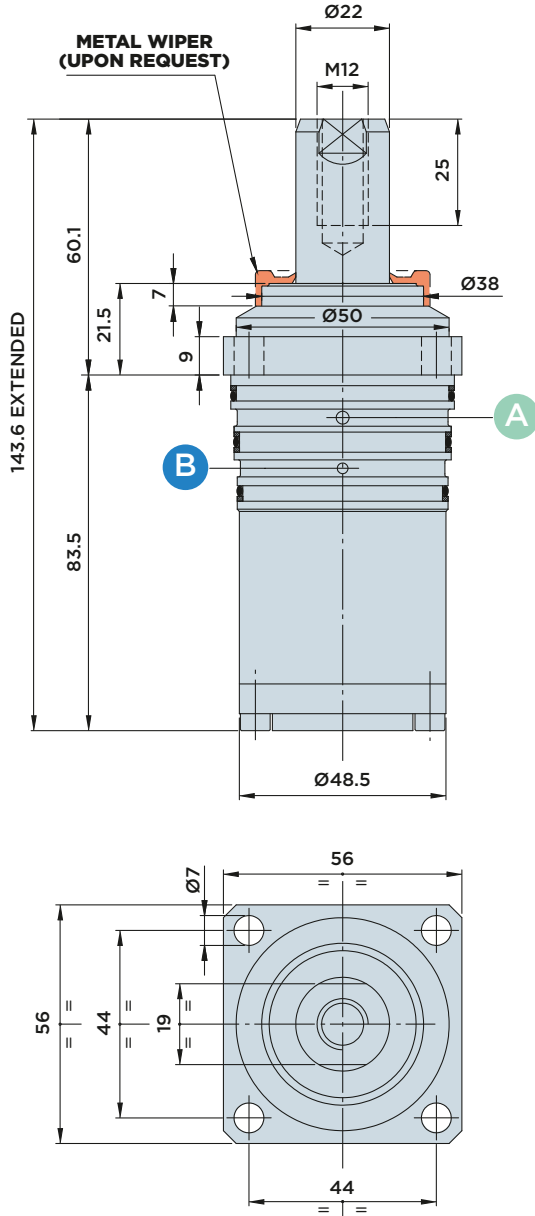


DOUBLE-ACTING PULL/PUSH CYLINDER WITH **CARTRIDGE BODY**
AND **ANTIROTATION DEVICE**

MAX. OPERATING PRESSURE = 500BAR

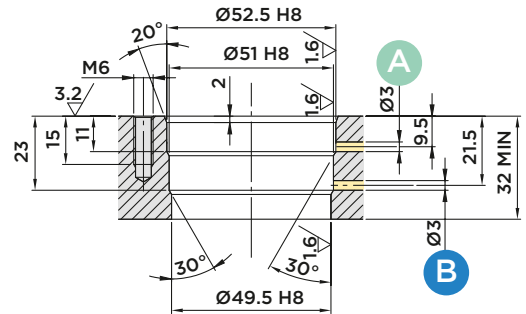
A : Retraction

B : Extension

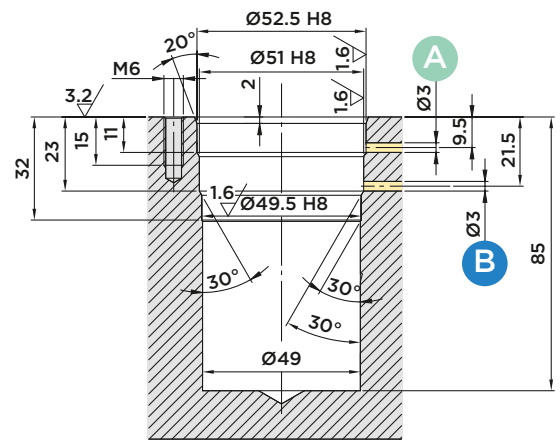


INSTALLATION DIMENSIONS

Through-hole mounting



Blind hole mounting



Options:

- Different swinging angles available upon request (order code as for the SR series, see page 58 Example: CT22.0CDR90)
- The cylinder can also be ordered without antirotation device (order no. CT22.0CDN)

Included in the scope of supply:

- Mounting screws M6x20 DIN 912/12.9 grade

Material:

- Piston/rod: Case-hardened steel, ground.
- Body: Free machining steel, nitrocarburized.

Note:

Clamping force diagram, see page 103

STROKE mm	EFFECTIVE PISTON AREA		TOTAL OIL VOLUME		
	Cm ²		Cm ³		
	RETRAC.	EXTEN.	RETRAC.	EXTEN.	
TOTAL	25	5.27	9.07	13.2	22.6



HYDROBLOCK