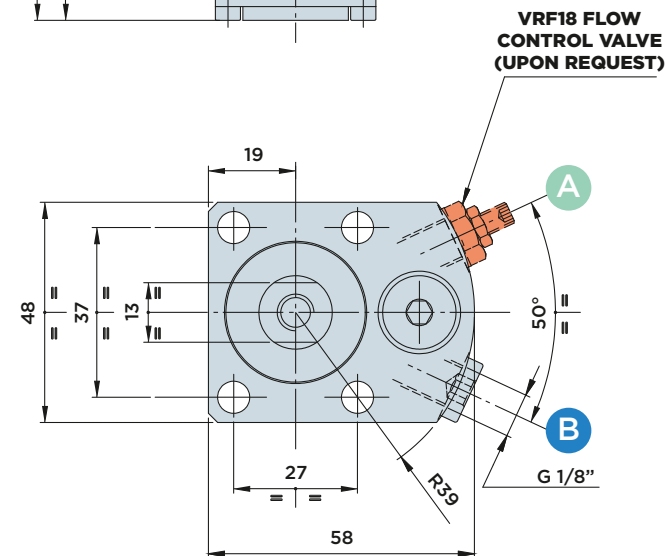
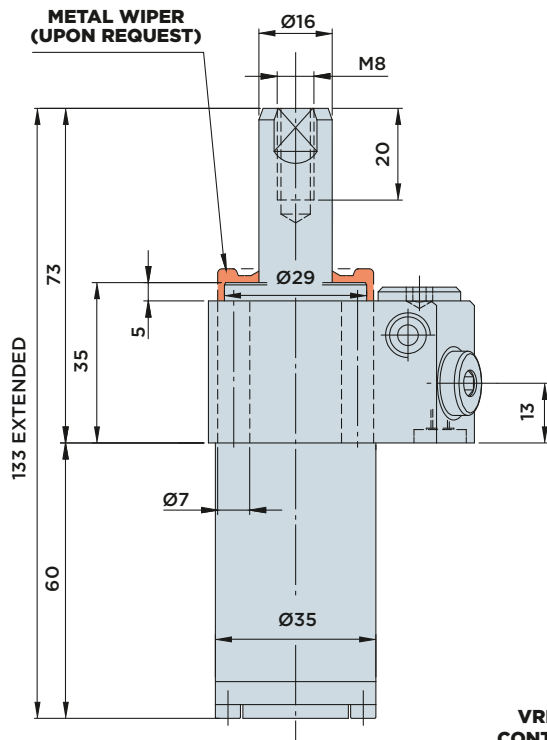
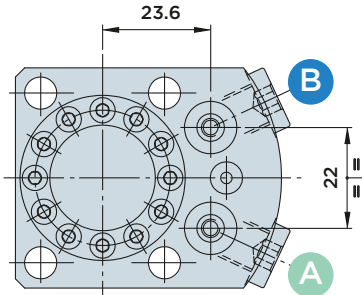
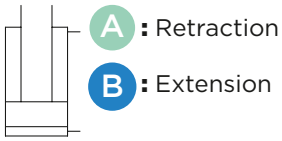


# CT16.0 FD

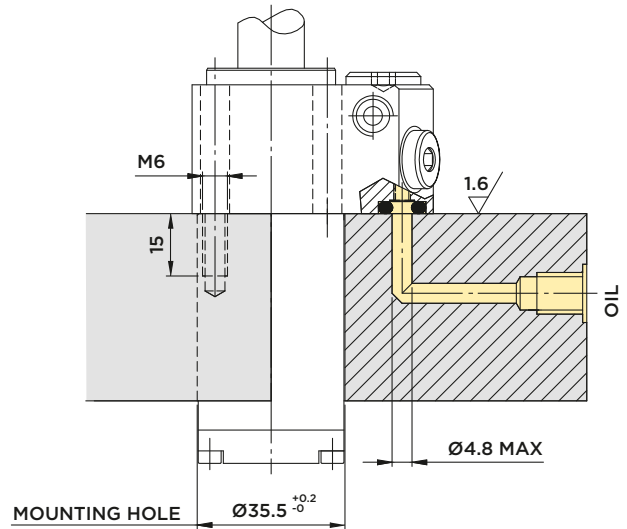


DOUBLE-ACTING PULL/PUSH CYLINDER WITH **UPPER FLANGE**  
AND **ANTIROTATION DEVICE**

MAX. OPERATING PRESSURE = 500BAR



## INSTALLATION DIMENSIONS WITH O-RING CONNECTION



### Included in the scope of supply:

- Mounting screws M6x40 DIN 912/12.9 grade
- O-rings Ø4.34x3.53

### Material:

- Piston/rod: Case-hardened steel, ground.
- Body: Free machining steel, nitrocarburized.

### Options:

- Different swinging angles available upon request (order code as for the SR series, see page 58 Example: CT16.0FDR90)
- The cylinder can also be ordered without antirotation device (order no. CT16.0FDN)

### Note:

Clamping force diagram, see page 65

STROKE mm	EFFECTIVE PISTON AREA		TOTAL OIL VOLUME		
	Cm <sup>2</sup>		Cm <sup>3</sup>		
	RETRAC.	EXTEN.	RETRAC.	EXTEN.	
<b>TOTAL</b>	22	2.51	4.52	5.5	9.9



HYDROBLOCK

# CT16.0 CD

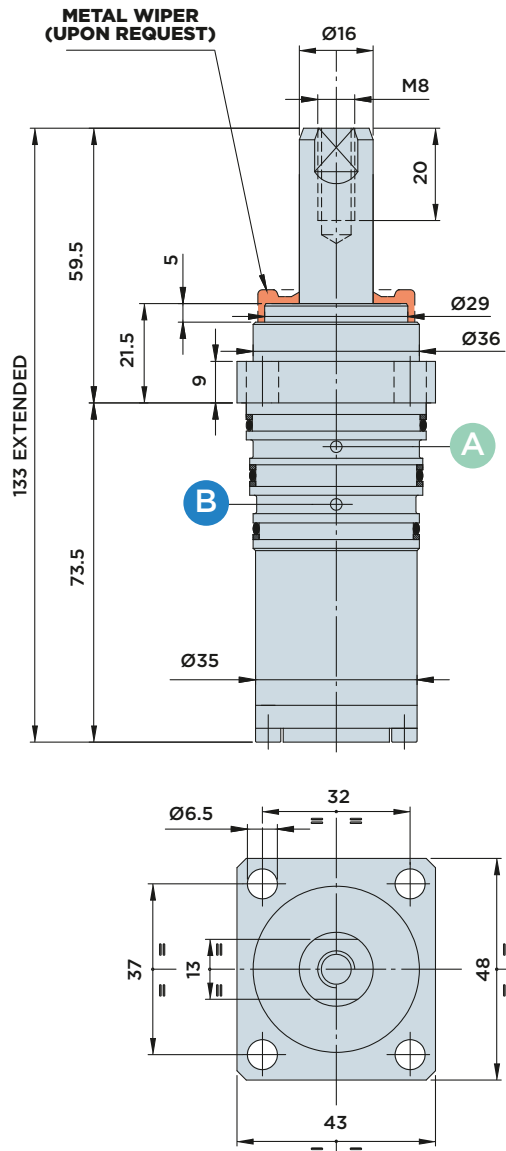


DOUBLE-ACTING PULL/PUSH CYLINDER WITH **CARTRIDGE BODY**  
AND **ANTIROTATION DEVICE**

MAX. OPERATING PRESSURE = 500BAR

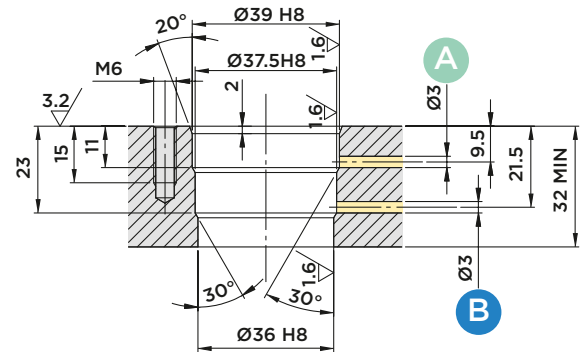
**A** : Retraction

**B** : Extension

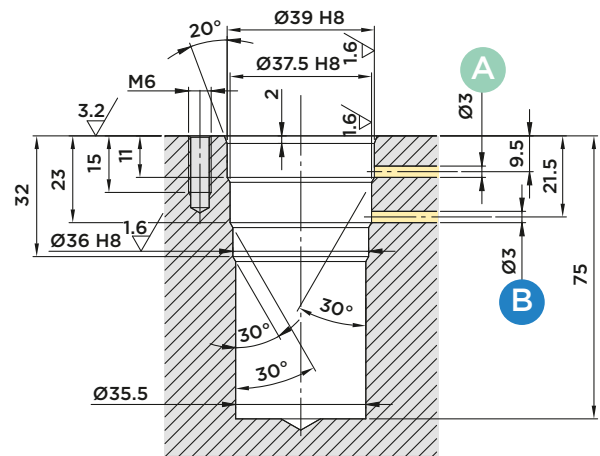


## INSTALLATION DIMENSIONS

### Through-hole mounting



### Blind hole mounting



### Options:

- Different swinging angles available upon request (order code as for the SR series, see page 58 Example: CT16.0CDR90)
- The cylinder can also be ordered without antirotation device (order no. CT16.0CDN).

### Included in the scope of supply:

- Mounting screws M6x20 DIN 912/12.9 grade

### Material:

- Piston/rod: Case-hardened steel, ground.
- Body: Free machining steel, nitrocarburized.

### Note:

Clamping force diagram, see page 65

STROKE mm	EFFECTIVE PISTON AREA		TOTAL OIL VOLUME		
	Cm <sup>2</sup>		Cm <sup>3</sup>		
	RETRAC.	EXTEN.	RETRAC	EXTEN.	
<b>TOTAL</b>	22	2.51	4.52	5.5	9.9



HYDROBLOCK