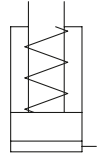


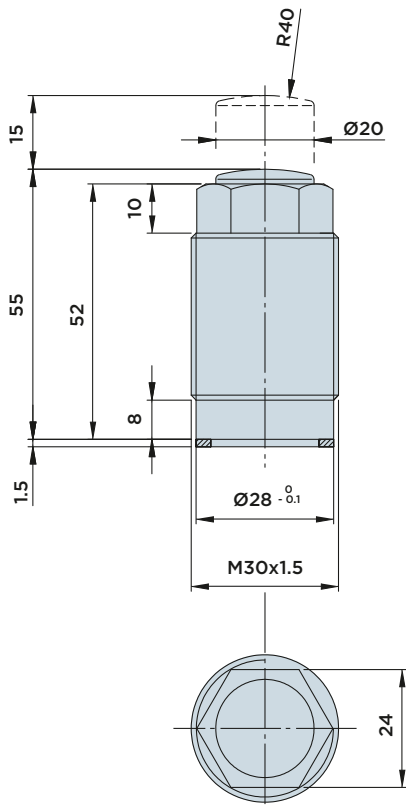
# CR30.15

SINGLE-ACTING CYLINDER WITH **THREADED BODY**

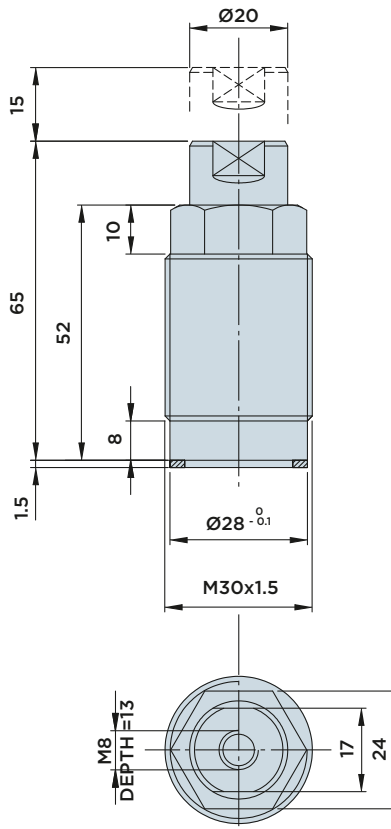
MAX. OPERATING PRESSURE = 400BAR



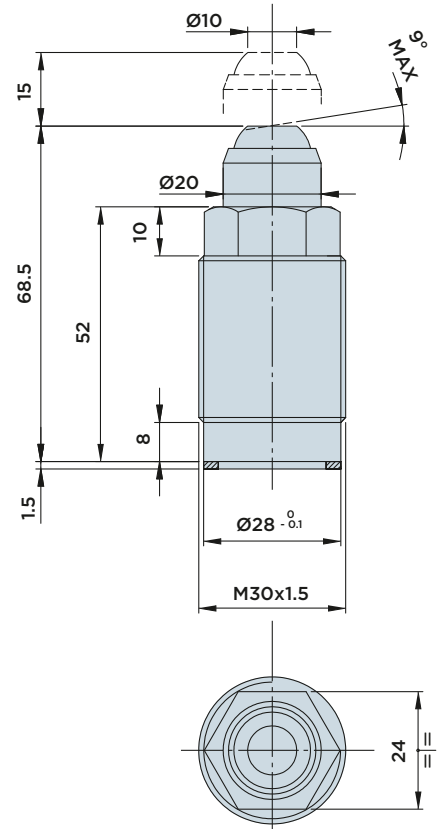
**CR30.15 A**



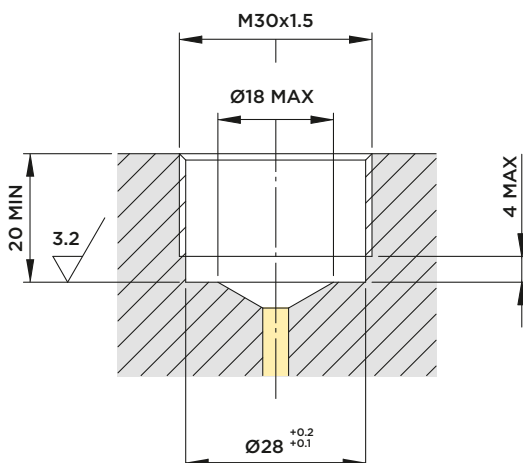
**CR30.15 B**



**CR30.15 S**



## INSTALLATION DIMENSIONS



### Included in the scope of supply:

- Sealing ring Ø22xØ28x1.5

### Material:

- Piston/rod: Case-hardened steel, ground.
- Body: Free machining steel, nitrocarburized.

### Note:

Make sure not to overload the piston rod when the cylinder is in rest position.

CYLINDER	STROKE mm	EFFECTIVE PISTON AREA	TOTAL OIL VOLUME
		Cm <sup>2</sup>	Cm <sup>3</sup>
CR30.15A	15	3.14	4.7
CR30.15B	15	3.14	4.7



**HYDROBLOCK**