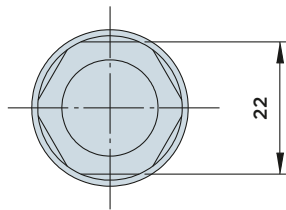
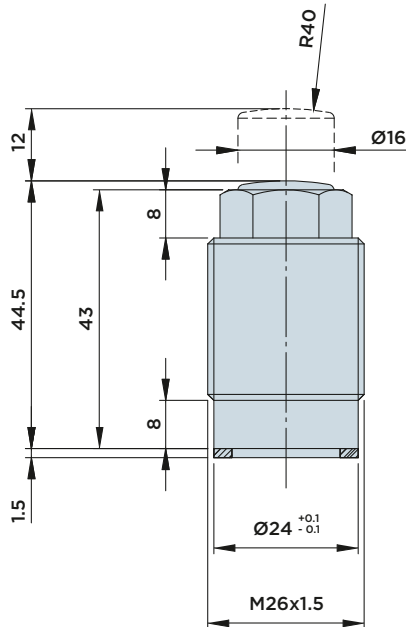


# CR26.12

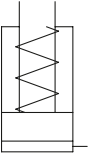
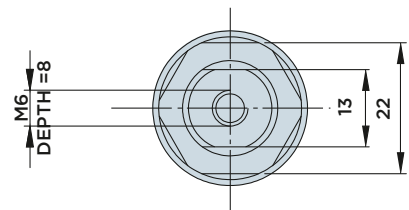
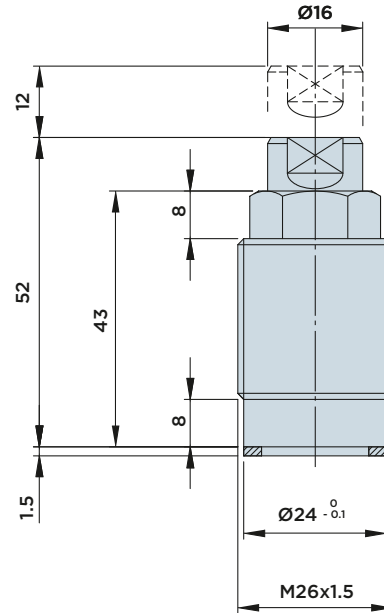
SINGLE-ACTING CYLINDER WITH **THREADED BODY**

MAX. OPERATING PRESSURE = 400BAR

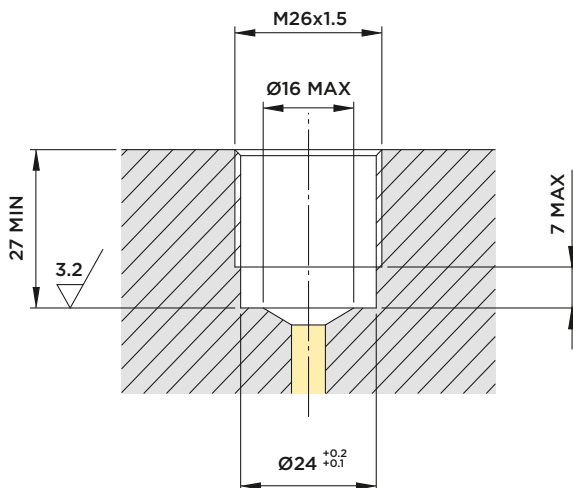
**CR26.12 A**



**CR26.12 B**



**INSTALLATION DIMENSIONS**



**Included in the scope of supply:**

- Sealing ring  $\text{Ø}18 \times \text{Ø}24 \times 1.5$

**Material:**

- Piston/rod: Case-hardened steel, ground.
- Body: Free machining steel, nitrocarburized.

**Options:**

- A version with integrated adjustable pressure pad is available upon request. (order no. CR26.12S)

**Note:**

Make sure not to overload the piston rod when the cylinder is in rest position.

CYLINDER	STROKE mm	EFFECTIVE PISTON AREA	TOTAL OIL VOLUME
		Cm <sup>2</sup>	Cm <sup>3</sup>
CR26.12A	12	2.01	2.4
CR26.12B	12	2.01	2.4

