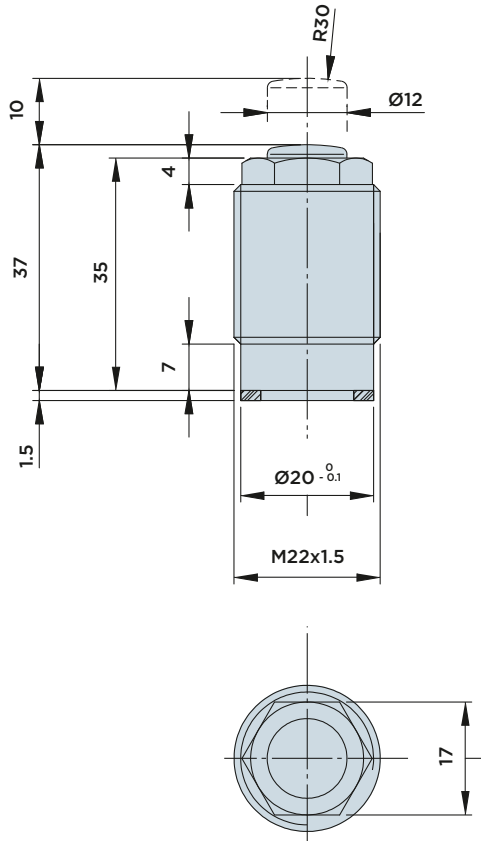


CR22.10

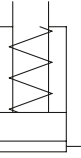
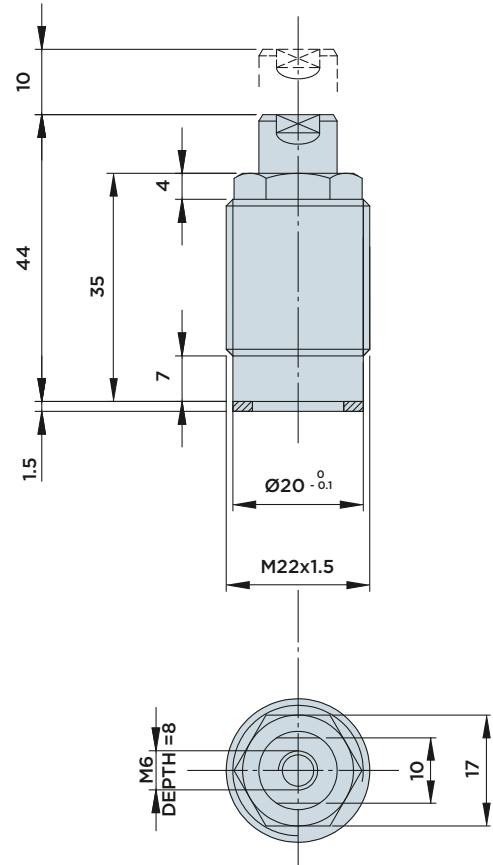
SINGLE-ACTING CYLINDER WITH **THREADED BODY**

MAX. OPERATING PRESSURE = 400BAR

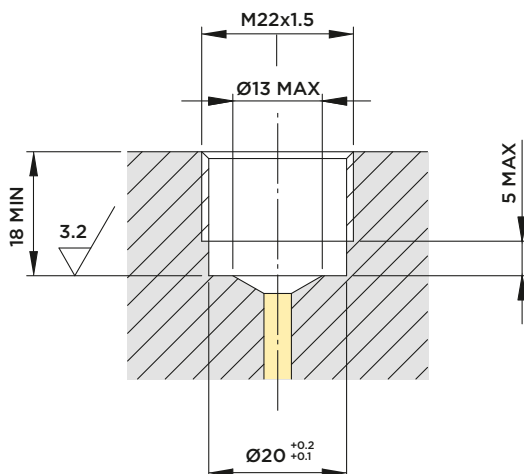
CR22.10 A



CR22.10 B



INSTALLATION DIMENSIONS



Included in the scope of supply:

- Sealing ring $\text{Ø}14 \times \text{Ø}20 \times 1.5$

Material:

- Piston/rod: Case-hardened steel, ground.
- Body: Free machining steel, nitrocarburized.

Note:

Make sure not to overload the piston rod when the cylinder is in rest position.

CYLINDER	STROKE mm	EFFECTIVE PISTON AREA	TOTAL OIL VOLUME
		Cm ²	Cm ³
CR22.10A	10	1.13	1.1
CR22.10B	10	1.13	1.1



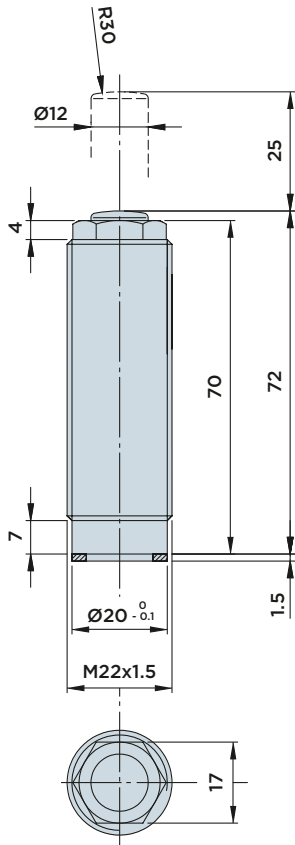
HYDROBLOCK

CR22.25

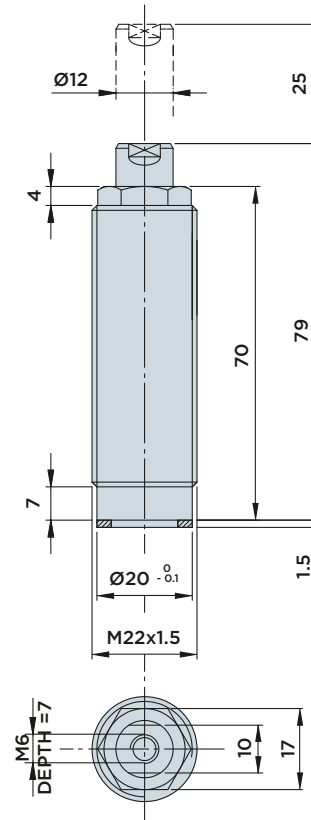
SINGLE-ACTING CYLINDER WITH **THREADED BODY**

MAX. OPERATING PRESSURE = 400BAR

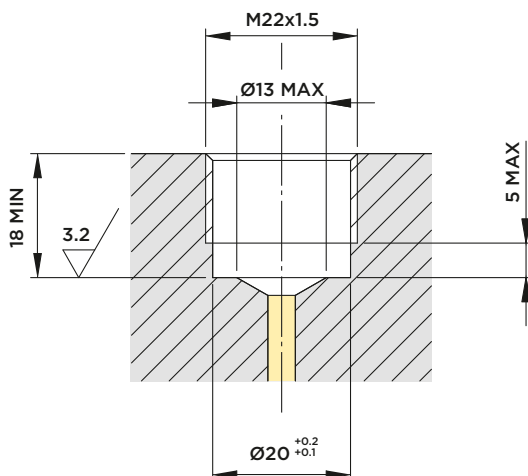
CR22.25 A



CR22.25 B



INSTALLATION DIMENSIONS



Included in the scope of supply:

- Sealing ring Ø14xØ20x1.5

Material:

- Piston/rod: Case-hardened steel, ground.
- Body: Free machining steel, nitrocarburized.

Note:

Make sure not to overload the piston rod when the cylinder is in rest position.

CYLINDER	STROKE mm	EFFECTIVE PISTON AREA	TOTAL OIL VOLUME
		Cm ²	Cm ³
CR22.25A	25	1.13	2.8
CR22.25B	25	1.13	2.8

