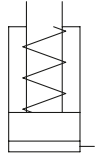


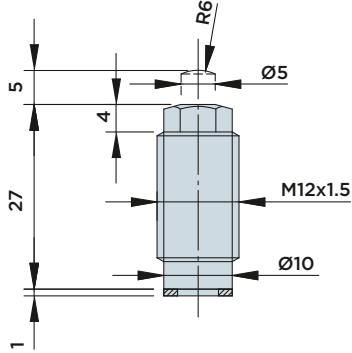
CR12

SINGLE-ACTING CYLINDER WITH **THREADED BODY**

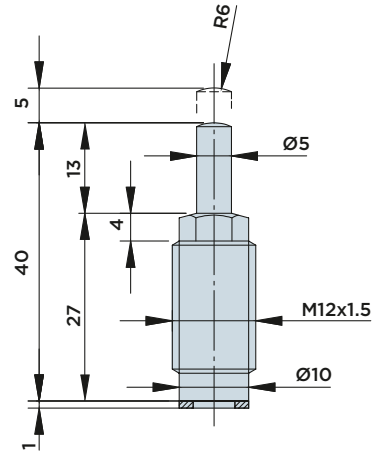
MAX. OPERATING PRESSURE = 400BAR



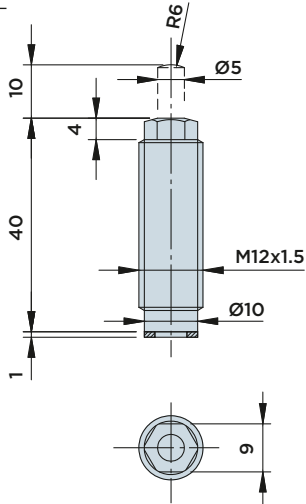
CR12.5 A



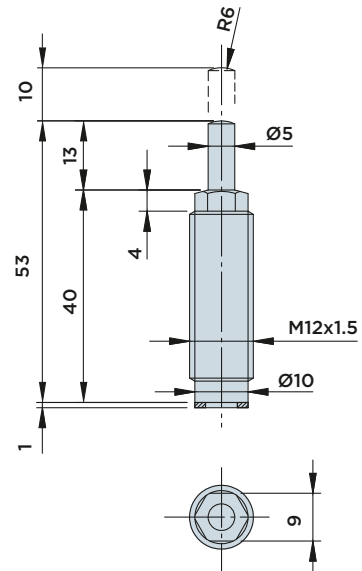
CR12.5 B



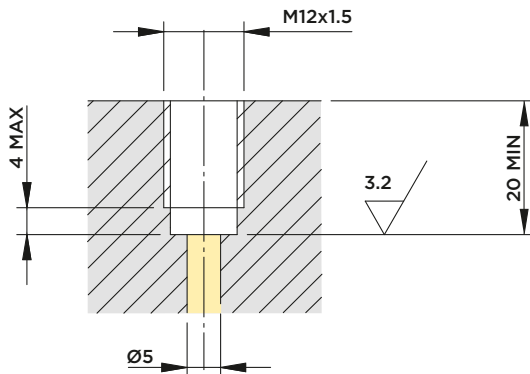
CR12.10 A



CR12.10 B



INSTALLATION DIMENSIONS



The CR12 cylinders are not suitable for supporting lateral loads, the cylinders could be irreparably damaged.

Note:

Make sure not to overload the piston rod when the cylinder is in rest position.

Included in the scope of supply:

- Sealing ring Ø6xØ10x1

Material:

- Piston/rod: Case-hardened steel, ground.
- Body: Free machining steel, nitrocarburized.

CYLINDER	STROKE mm	EFFECTIVE PISTON AREA	TOTAL OIL VOLUME
		Cm ²	Cm ³
CR12.5A	5	0.5	0.25
CR12.5B	5	0.5	0.25
CR12.10A	10	0.5	0.5
CR12.10B	10	0.5	0.5

