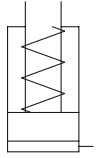


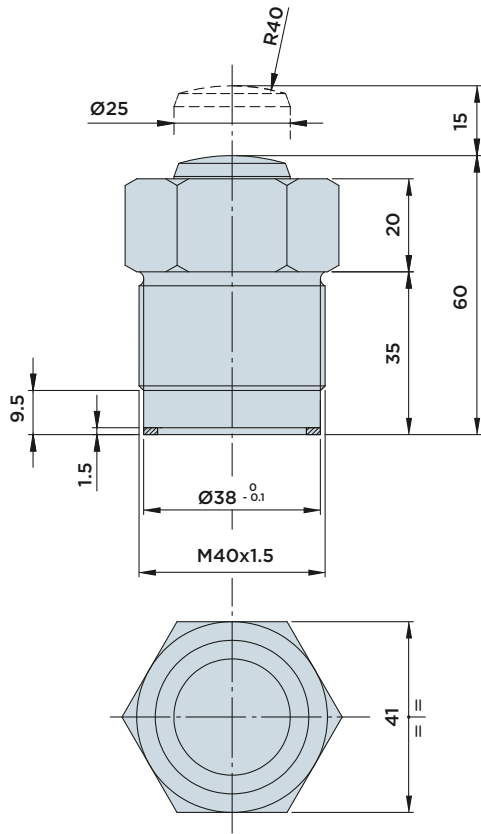
CF40

SINGLE-ACTING CYLINDER WITH **THREADED BODY**

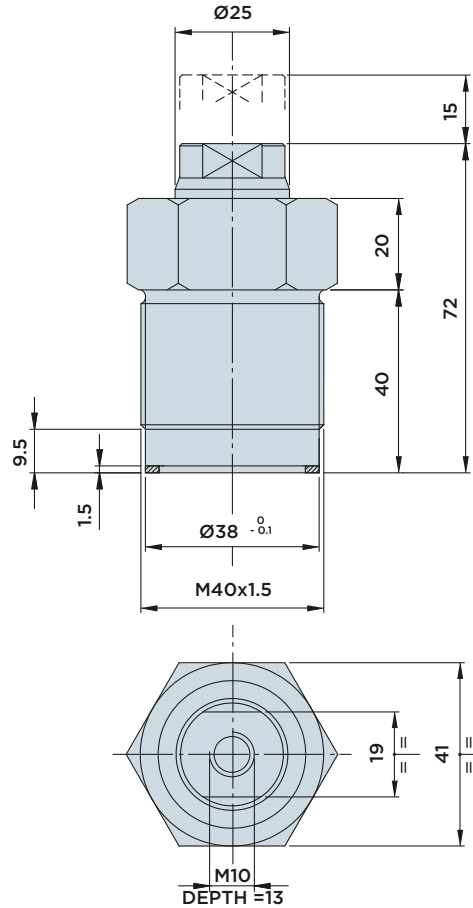
MAX. OPERATING PRESSURE = 500BAR



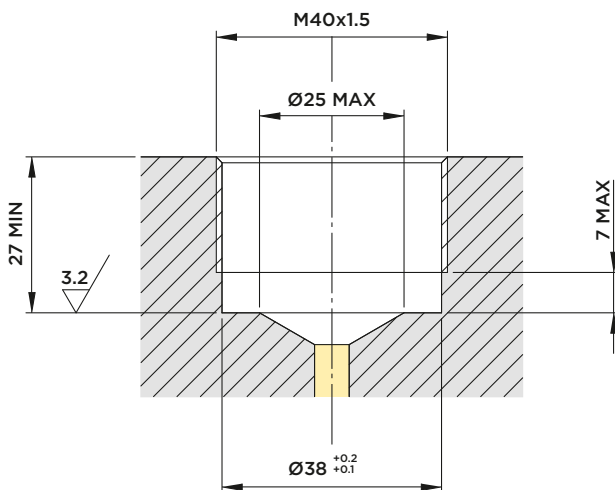
CF40.15 A



CF40.15 B



INSTALLATION DIMENSIONS



Included in the scope of supply:

- Sealing ring Ø32xØ38x1.5

Material:

- Piston/rod: Case-hardened steel, ground.
- Body: Free machining steel, nitrocarburized.

Note:

Make sure not to overload the piston rod when the cylinder is in rest position.

CYLINDER	STROKE mm	EFFECTIVE PISTON AREA	TOTAL OIL VOLUME
		Cm ²	Cm ³
CF40.15	15	4.91	7.4

