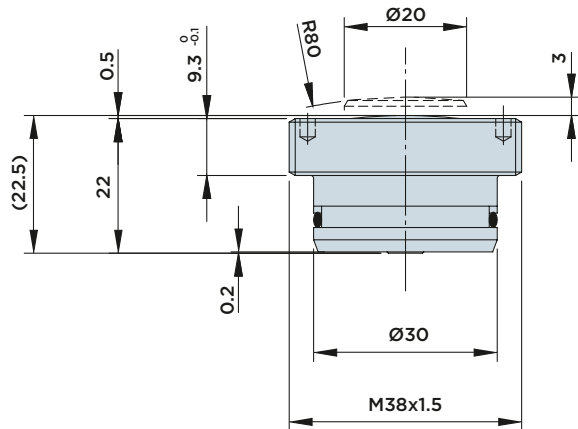


CF38

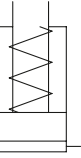
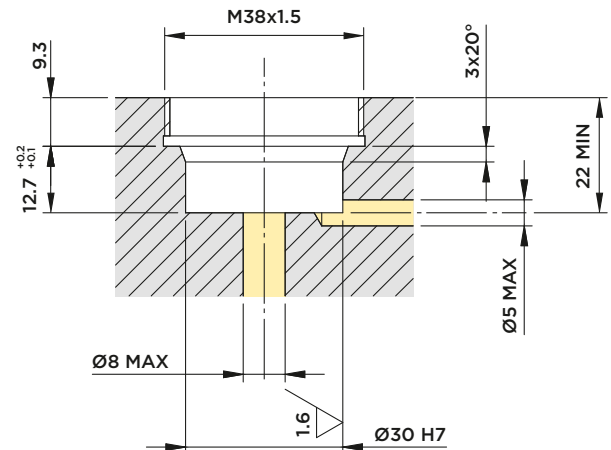
SINGLE-ACTING CYLINDER WITH **THREADED BODY, FLUSH**

MAX. OPERATING PRESSURE = 500BAR

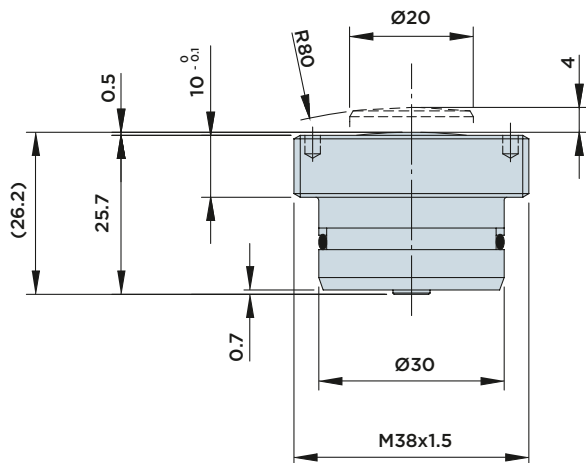
CF38.3



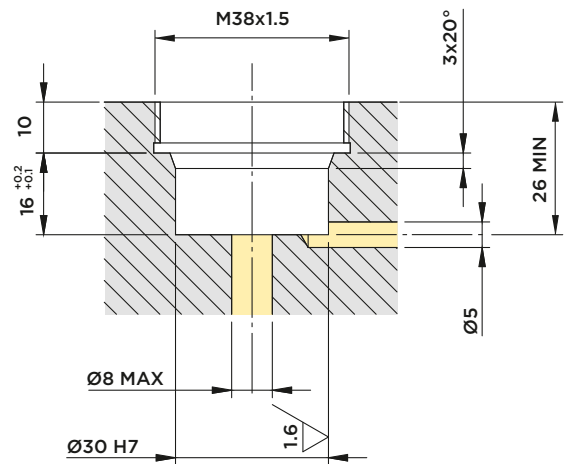
INSTALLATION DIMENSIONS



CF38.4



INSTALLATION DIMENSIONS



Material:

- Piston/rod: Case-hardened steel, ground.
- Body: Free machining steel, nitrocarburized.

NOTE:

- The CF38.3 cylinder featuring a stroke reduced by 3 mm can also be mounted in the seat of the CF38.4 model.
- Make sure not to overload the piston rod when the cylinder is in rest position.

STROKE mm	EFFECTIVE PISTON AREA	TOTAL OIL VOLUME
	Cm ²	Cm ³
3	3.14	0.9
4	3.14	1.3

