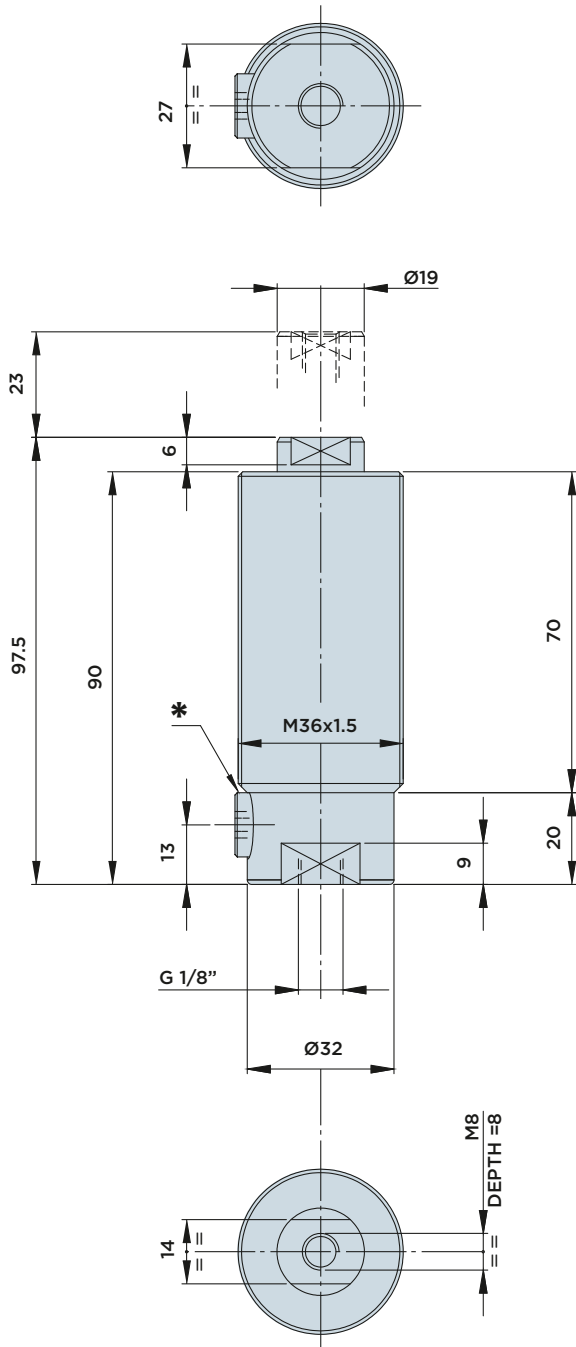
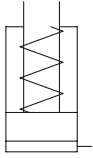


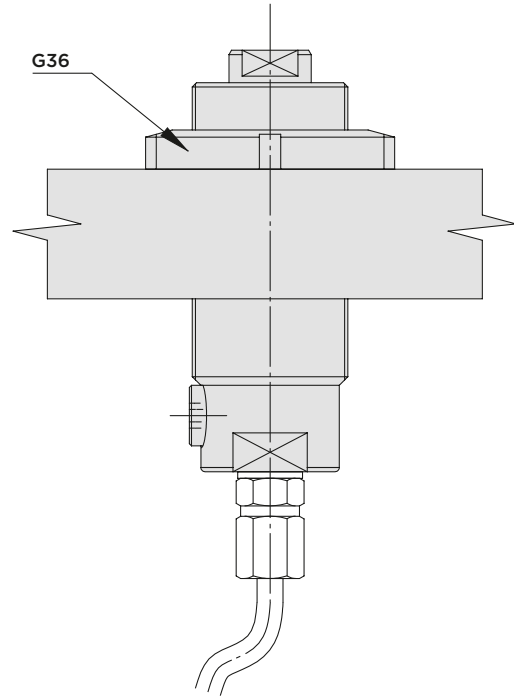
CF36 E23

SINGLE-ACTING CYLINDER WITH **THREADED BODY**

MAX. OPERATING PRESSURE = 400BAR



INSTALLATION EXAMPLE



* The G1/8" plug cannot be used

Material:

- Piston/rod: Case-hardened steel, ground.
- Body: Free machining steel, nitrocarburized.

Accessories (upon request):

- Mounting ring M36x1.5, order no. G36

CYLINDER	STROKE mm	EFFECTIVE PISTON AREA	TOTAL OIL VOLUME
		Cm ²	Cm ³
CF36-E23	23	4.91	11.3



HYDROBLOCK