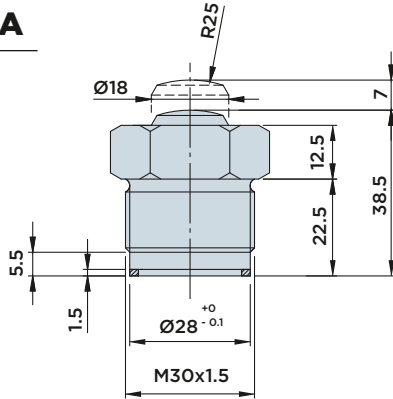


CF30

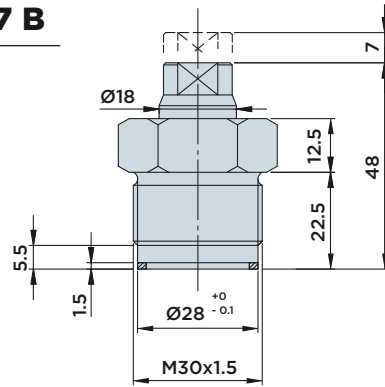
SINGLE-ACTING CYLINDER WITH **THREADED BODY**

MAX. OPERATING PRESSURE = 500BAR

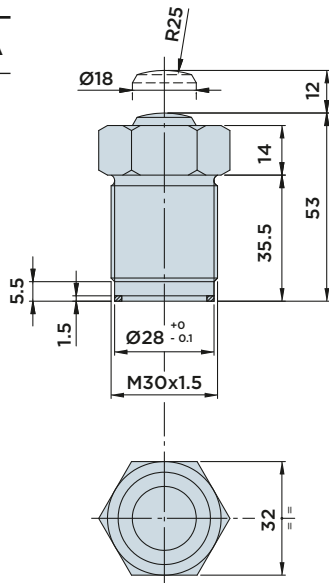
CF30.7 A



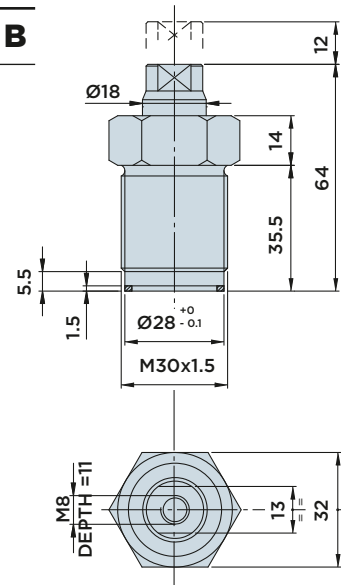
CF30.7 B



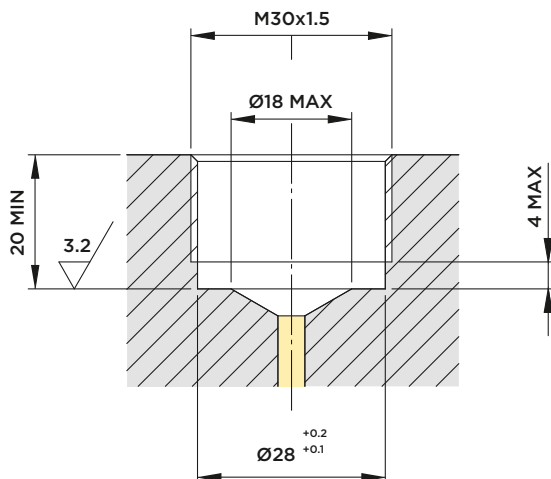
CF30.12 A



CF30.12 B



INSTALLATION DIMENSIONS



Included in the scope of supply:

- Sealing ring Ø22xØ28x1.5

Material:

- Piston/rod: Case-hardened steel, ground.
- Body: Free machining steel, nitrocarburized.

Note:

Make sure not to overload the piston rod when the cylinder is in rest position.

CYLINDER	STROKE mm	EFFECTIVE PISTON AREA	TOTAL OIL VOLUME
		Cm ²	Cm ³
CF30.7	7	2.54	1.8
CF30.12	12	2.54	3.1

