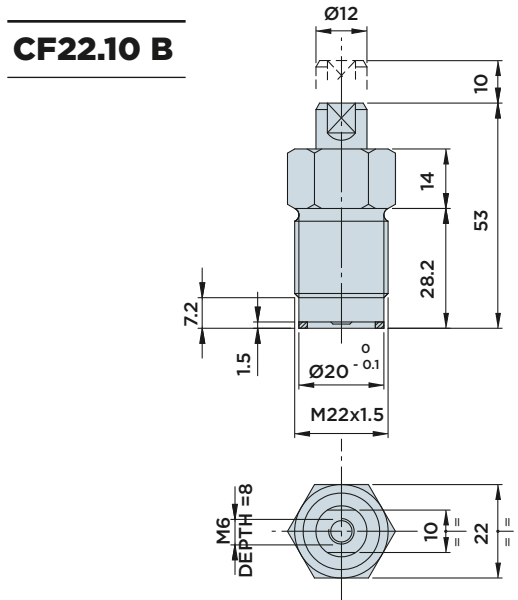
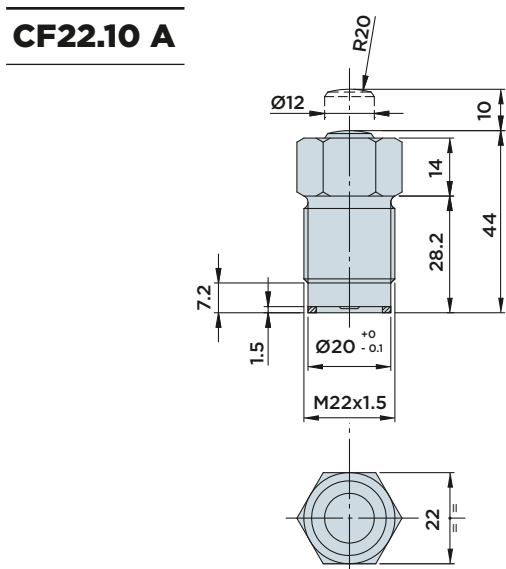
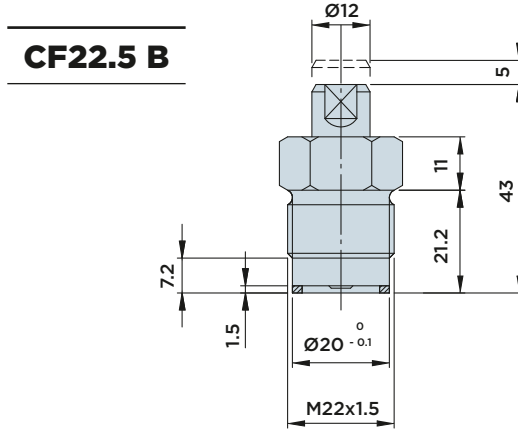
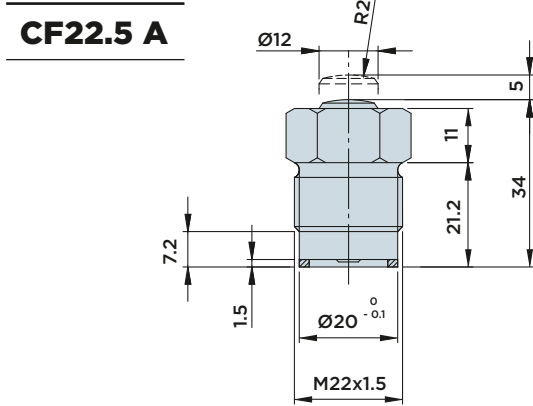
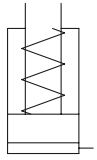


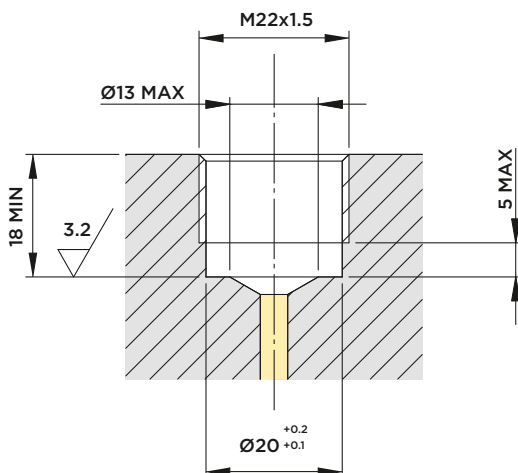
CF22

SINGLE-ACTING CYLINDER WITH **THREADED BODY**

MAX. OPERATING PRESSURE = 500BAR



INSTALLATION DIMENSIONS



Included in the scope of supply:

- Sealing ring Ø14xØ20x1.5

Material:

- Piston/rod: Case-hardened steel, ground.
- Body: Free machining steel, nitrocarburized.

Note:

Make sure not to overload the piston rod when the cylinder is in rest position.

CYLINDER	STROKE mm	EFFECTIVE PISTON AREA	TOTAL OIL VOLUME
		Cm ²	Cm ³
CF22.5	5	1.13	0.6
CF22.10	10	1.13	1.1



HYDROBLOCK