

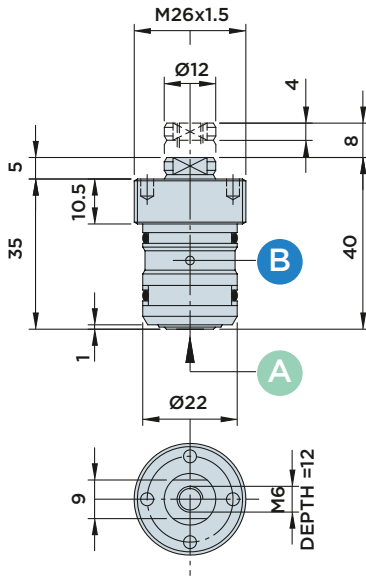
CF12

DOUBLE-ACTING CYLINDER WITH **THREADED BODY, FLUSH**

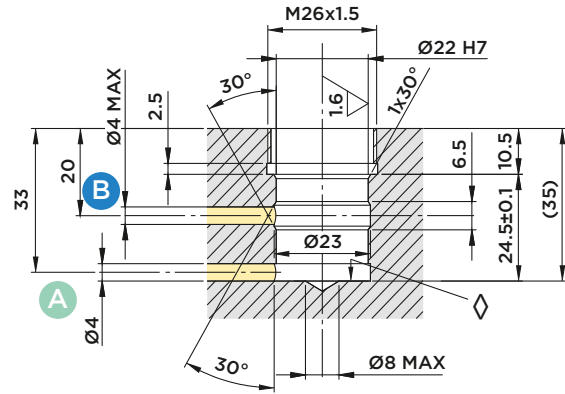
MAX. OPERATING PRESSURE = 500BAR

CF12.8 M26

- A** : Extension
- B** : Retraction



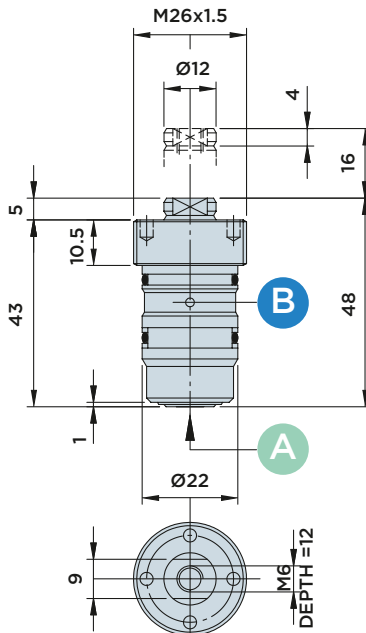
INSTALLATION DIMENSIONS



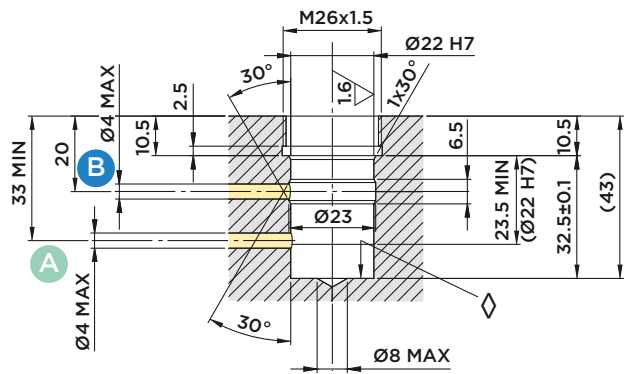
◇ Piston contact surface

CF12.16 M26

- A** : Extension
- B** : Retraction



INSTALLATION DIMENSIONS



◇ Piston contact surface

Double-acting cylinders with flush threaded body are particularly suited for axial clamping of workpieces in restricted space conditions and offer high forces and unparalleled stability during clamping. All models are equipped with a wiper ring on the piston rod in the standard version. Special strokes are available upon request.

Material:

- Piston/rod: Case-hardened steel, ground.
- Body: Free machining steel, nitrocarburized.

STROKE mm	EFFECTIVE PISTON AREA		TOTAL OIL VOLUME	
	Cm ²		Cm ³	
	PUSHING	PULLING	PUSHING	PULLING
8	1.77	0.64	1.4	0.5
16	1.77	0.64	2.8	1



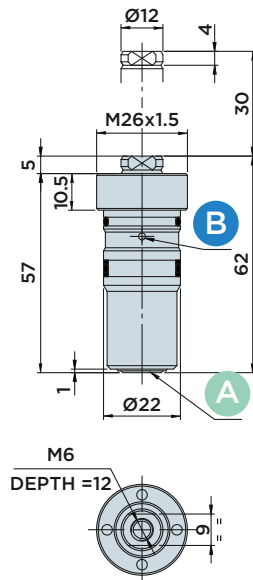
CF12

DOUBLE-ACTING CYLINDER WITH **THREADED BODY, FLUSH**

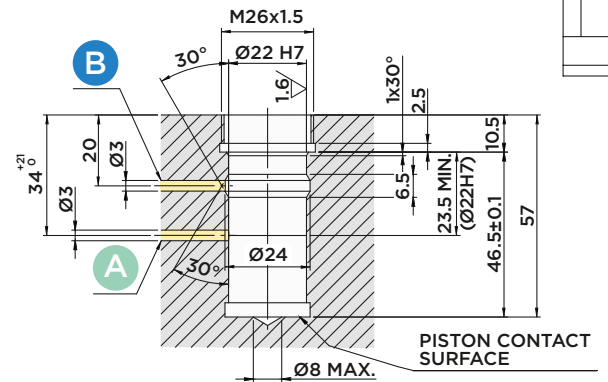
MAX. OPERATING PRESSURE = 500BAR

CF12.30 M26

- A** : Extension
- B** : Retraction



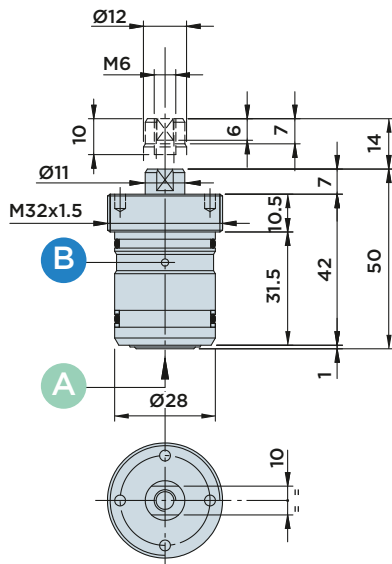
INSTALLATION DIMENSIONS



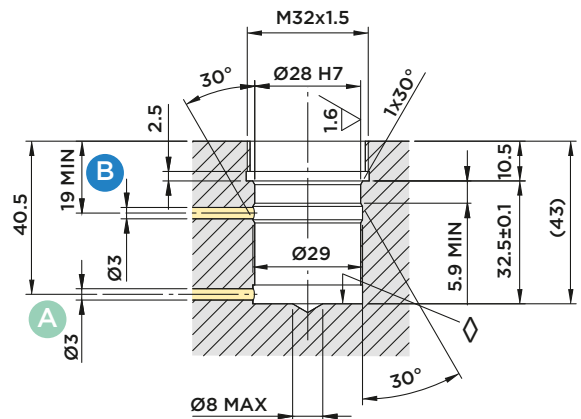
STROKE mm	EFFECTIVE PISTON AREA		TOTAL OIL VOLUME	
	Cm ²		Cm ³	
	PUSHING	PULLING	PUSHING	PULLING
30	1.77	0.64	5.3	1.9

CF12.14 M32

- A** : Extension
- B** : Retraction



INSTALLATION DIMENSIONS



◇ Piston contact surface

STROKE mm	EFFECTIVE PISTON AREA		TOTAL OIL VOLUME	
	Cm ²		Cm ³	
	PUSHING	PULLING	PUSHING	PULLING
14	3.14	2.01	4.4	2.8

Double-acting cylinders with flush threaded body are particularly suited for axial clamping of workpieces in restricted space conditions and offer high forces and unparalleled stability during clamping. All models are equipped with a wiper ring on the piston rod in the standard version. Special strokes are available upon request.

Material:

- Piston/rod: Case-hardened steel, ground.
- Body: Free machining steel, nitrocarburized.



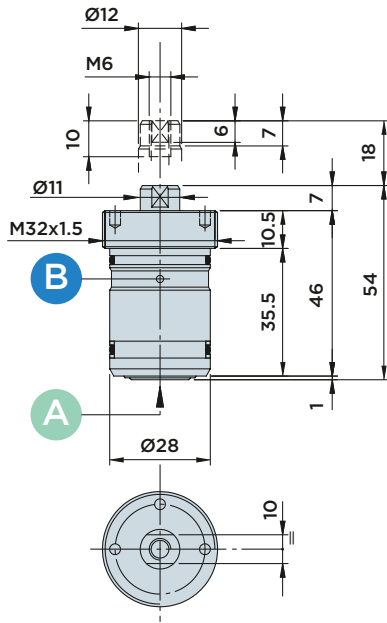
CF12

DOUBLE-ACTING CYLINDER WITH **THREADED BODY, FLUSH**

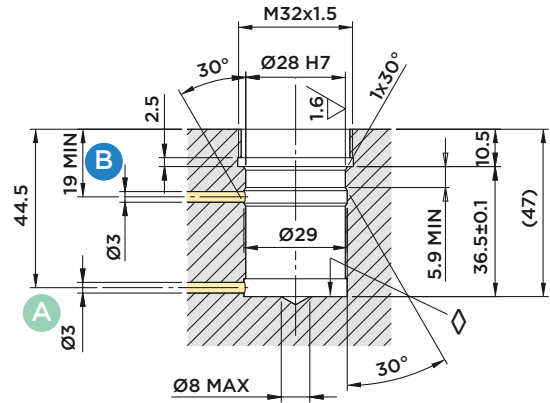
MAX. OPERATING PRESSURE = 500BAR

CF12.18 M32

- A** : Extension
- B** : Retraction



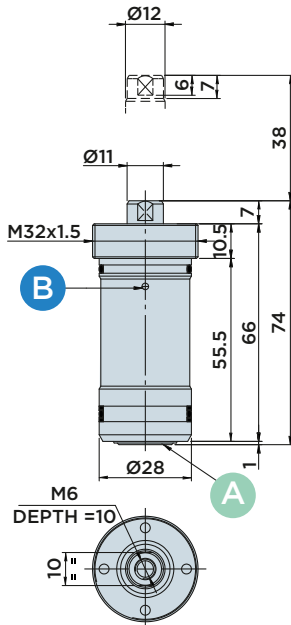
INSTALLATION DIMENSIONS



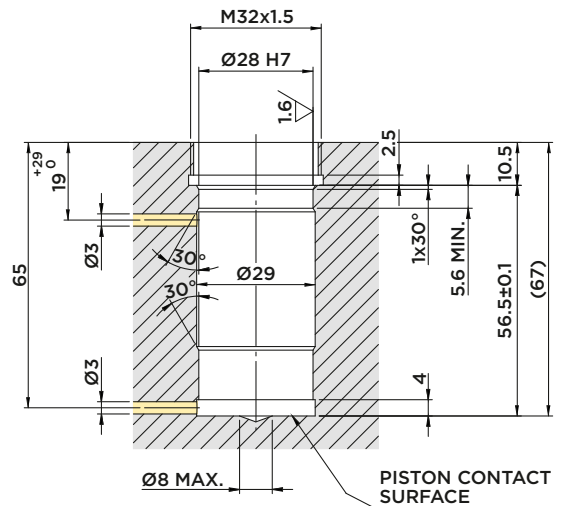
◇ Piston contact surface

CF12.38 M32

- A** : Extension
- B** : Retraction



INSTALLATION DIMENSIONS



Double-acting cylinders with flush threaded body are particularly suited for axial clamping of workpieces in restricted space conditions and offer high forces and unparalleled stability during clamping. All models are equipped with a wiper ring on the piston rod in the standard version. Special strokes are available upon request.

Material:

- Piston/rod: Case-hardened steel, ground.
- Body: Free machining steel, nitrocarburized.

STROKE mm	EFFECTIVE PISTON AREA		TOTAL OIL VOLUME	
	Cm ²		Cm ³	
	PUSHING	PULLING	PUSHING	PULLING
18	3.14	2.01	5.7	3.6
38				



HYDROBLOCK