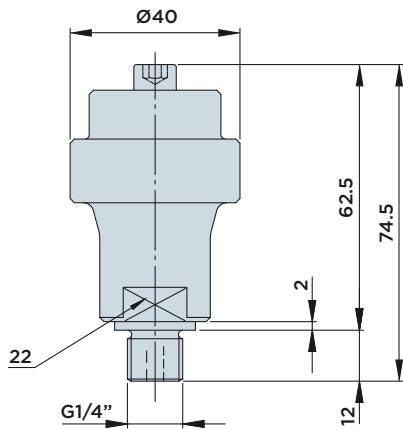


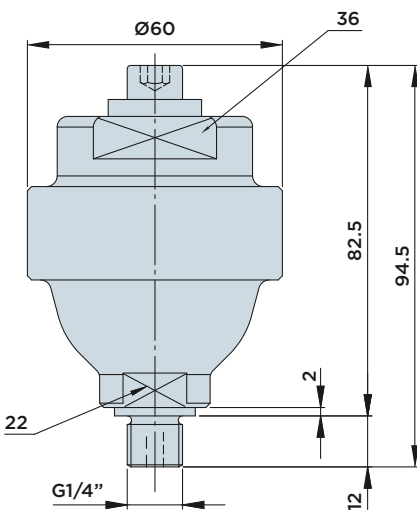
ACC

DIAPHRAGM ACCUMULATORS - HAWE

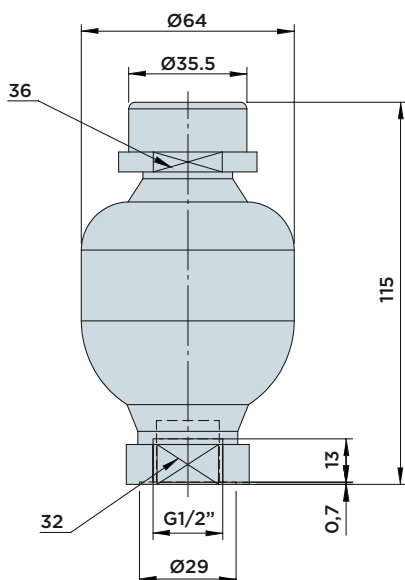
ACC13-1/4



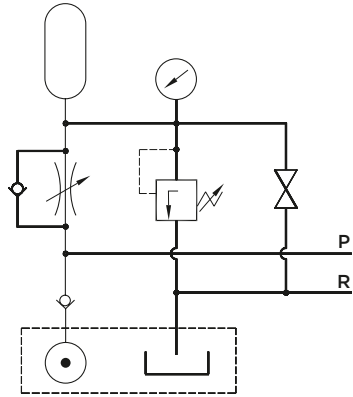
ACC40-1/4



ACC75-1/2



APPLICATION EXAMPLE



Hydraulic accumulators are used in static clamping systems to compensate internal leakage or to minimize pressure variations caused by temperature changes.

ATTENTION:

Hydraulic systems equipped with diaphragm accumulators must be provided with a pressure relief valve and a pressure gauge. In addition, a shut-off valve is to be provided for emptying the accumulator for maintenance or repair purposes. Before operating the accumulator, the minimum hydraulic pressure must exceed the gas pressure by at least 10%. Make sure not to exceed the specified maximum pressure values.

Note:

Hydraulic accumulators cannot be used to compensate substantial external oil leakage. The cause of such leakage must be identified and eliminated.

DIAPHRAGM ACCUMULATORS

TYPE	ACC13-1/4	ACC40-1/4	ACC75-1/2
Ports	Plug connection G1/4"	Plug connection G1/4"	Female thread G1/2"
Volume (cm ³)	13	40	75
Maximum oil pressure (bar)	500	400	250
Maximum gas pressure (bar)	250	250	130
Preload pressure freely selectable (bar)	110	125-400	40-150
Operating temperature (°C)	-10/+80	-10°/+80	-10/+80
Weight (Kg)	0.3	0.7	0.9



HYDROBLOCK