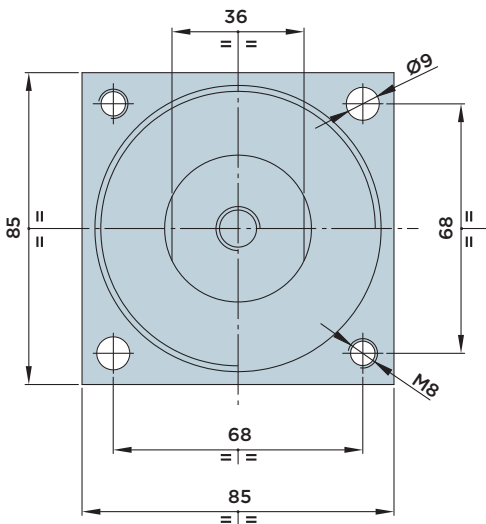
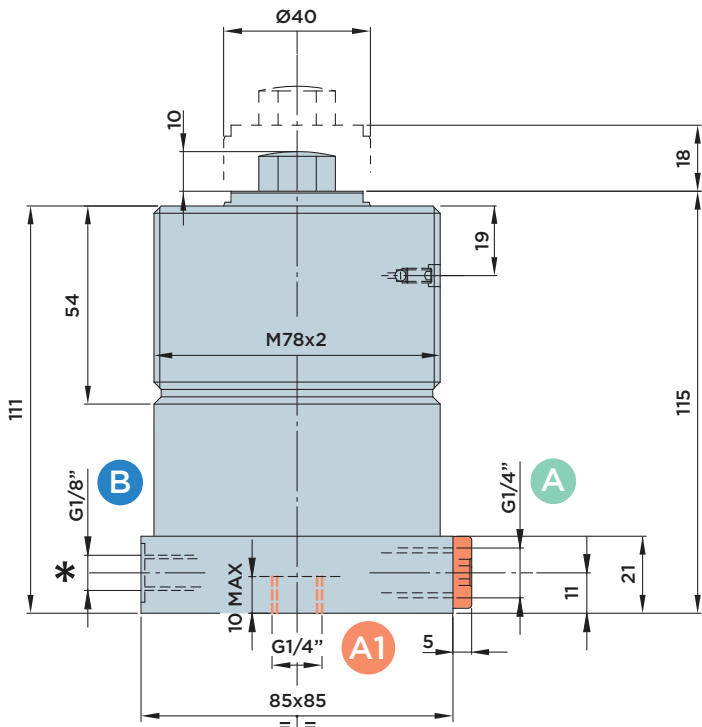
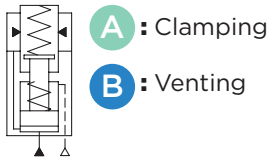


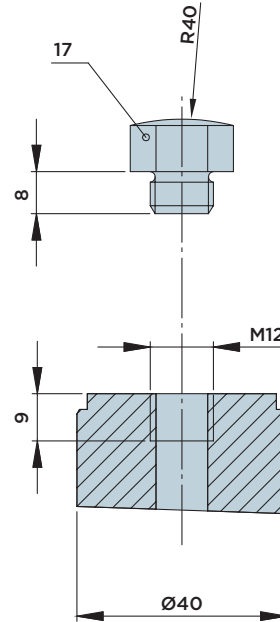
IRPLP 40.0

HYDRAULIC WORK SUPPORT WITH **LOWER FLANGE**

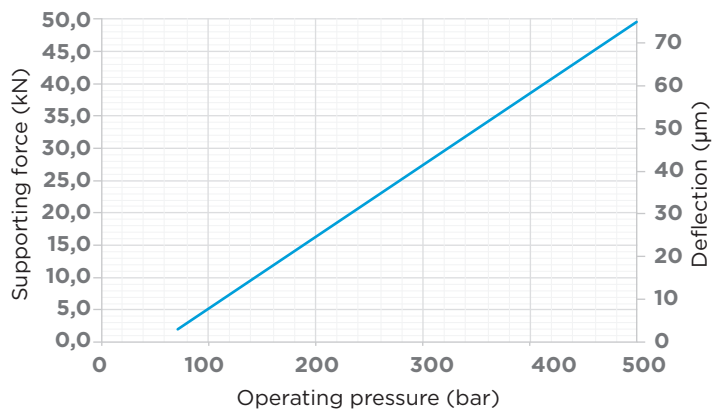
MAX. OPERATING PRESSURE = 500BAR



A1 A version with A1 port at the bottom of the flange is available upon request (order no. IRPLP40.1). In this case, the A port is closed by means of a plug.



FORCE/PRESSURE/DEFLECTION DIAGRAM



* The B port is delivered with a sintered integrated filter in the standard version.

Note:

The maximum admissible flow rate amounts to 1.5 l/min.

Contact force:

- Standard 60±90 N

Included in the scope of supply:

- Mounting screws M8x35 DIN912/12.9 grade

Material:

- Piston/rod: Case-hardened steel, ground.
- Body: Free machining steel, nitrocarburized.

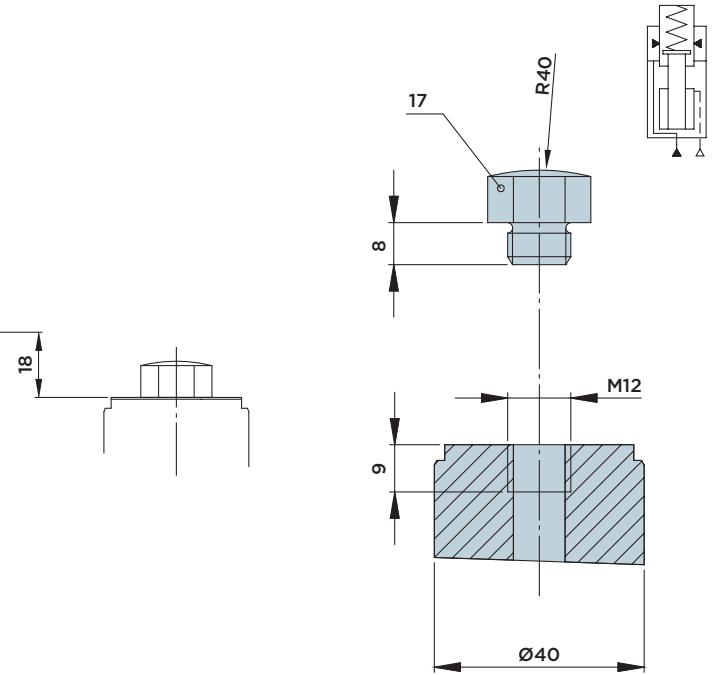
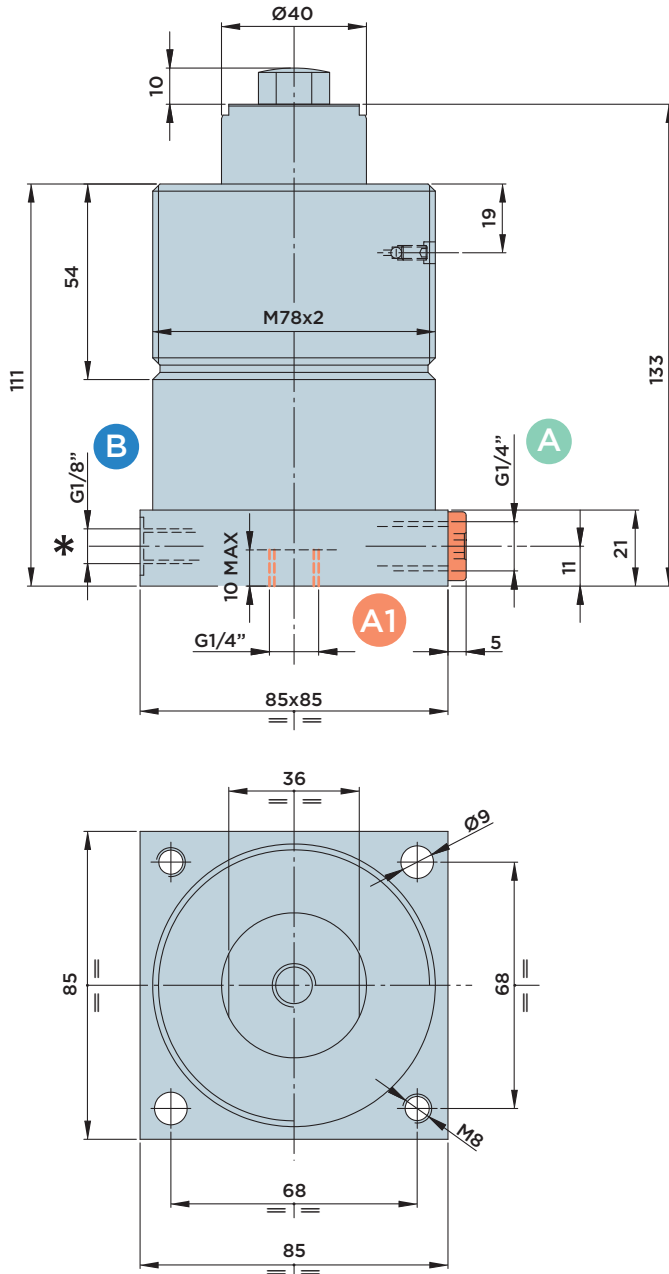
IRPLM 40.0

HYDRAULIC WORK SUPPORT WITH **LOWER FLANGE**

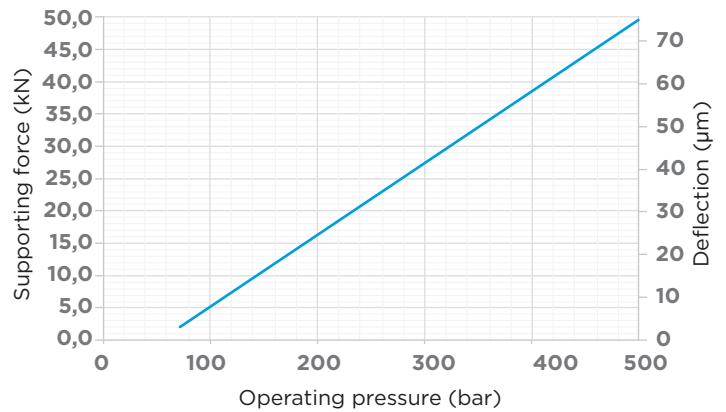
MAX. OPERATING PRESSURE = 500BAR

A : Clamping

B : Venting



FORCE/PRESSURE/DEFLECTION DIAGRAM



* The B port is delivered with a sintered integrated filter in the standard version.

Note:

The maximum admissible flow rate amounts to 1.5 l/min.

Contact force:

- Standard 60±90 N

Included in the scope of supply:

- Mounting screws M8x35 DIN912/12.9 grade

Material:

- Piston/rod: Case-hardened steel, ground.
- Body: Free machining steel, nitrocarburized.

A1 A version with A1 port at the bottom of the flange is available upon request (order no. IRFL40.1). In this case, the A port is closed by means of a plug.



HYDROBLOCK