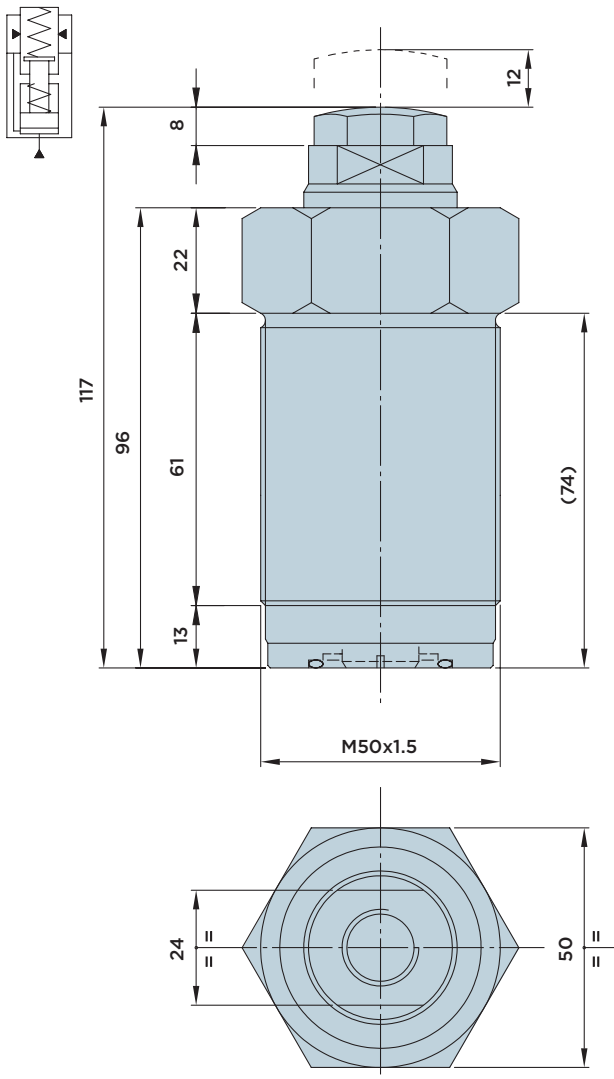


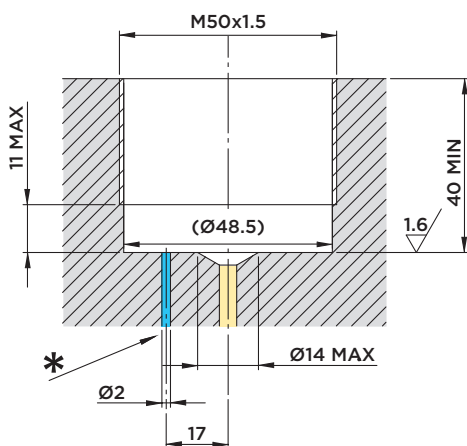
IRFP 32.0

HYDRAULIC WORK SUPPORT WITH **THREADED BODY**

MAX. OPERATING PRESSURE = 500BAR

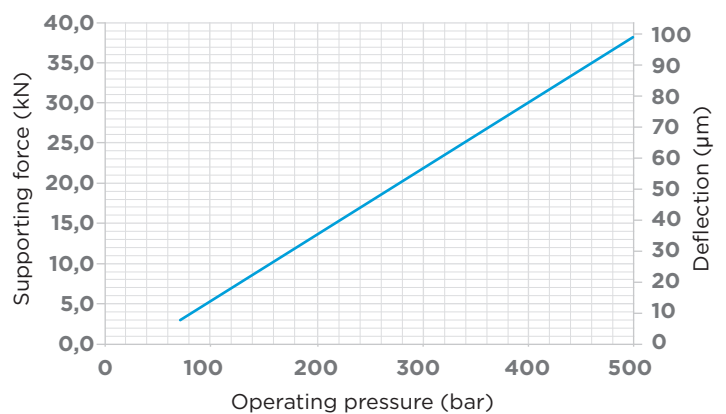


INSTALLATION DIMENSIONS



* Venting: We recommend installing a connection with a vent line leading into an area that is free from liquids and chips.

FORCE/PRESSURE/DEFLECTION DIAGRAM



Note:

The maximum admissible flow rate amounts to 1.5 l/min.

Contact force:

- Standard 35÷60 N

Included in the scope of supply:

- O-Ring Ø25.07x2.62

Material:

- Piston/rod: Case-hardened steel, ground.
- Body: Free machining steel, nitrocarburized.

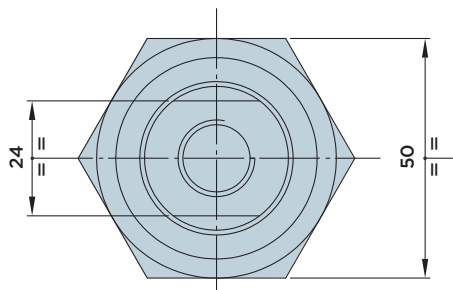
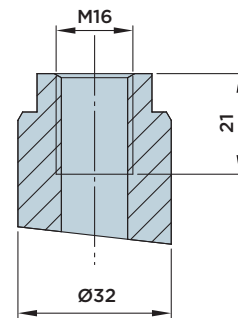
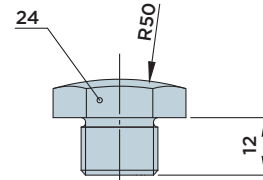
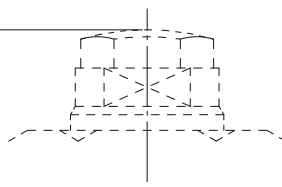
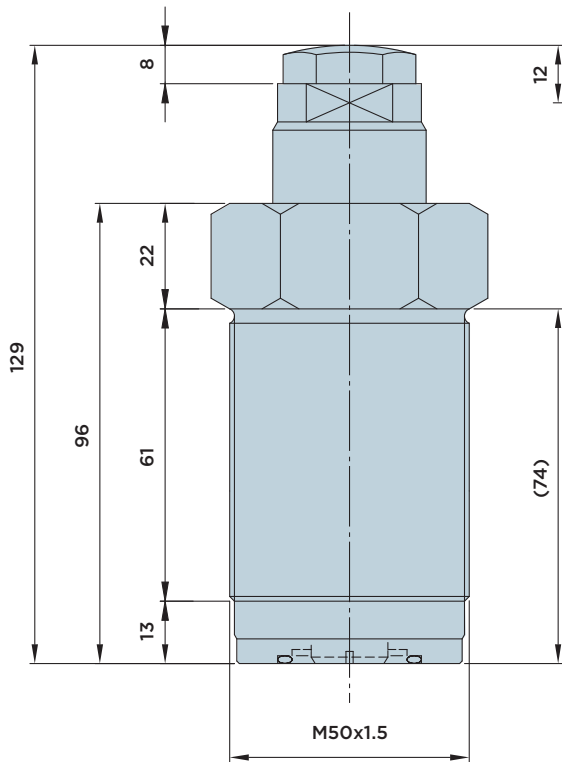


HYDROBLOCK

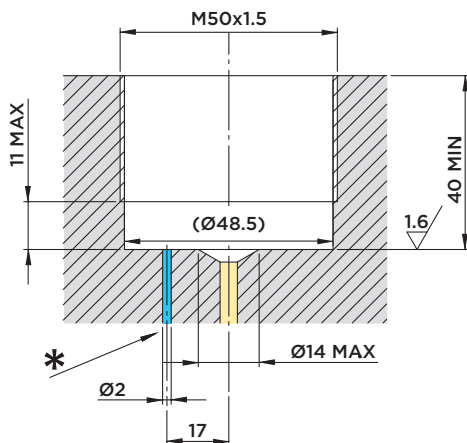
IRFM 32.0

HYDRAULIC WORK SUPPORT WITH **THREADED BODY**

MAX. OPERATING PRESSURE = 500BAR

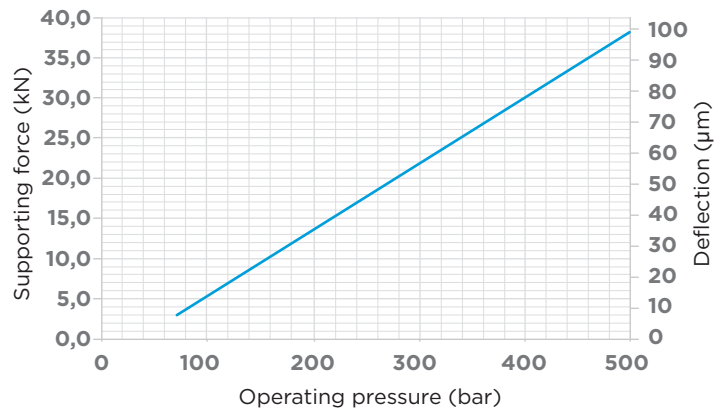


INSTALLATION DIMENSIONS



* Venting: We recommend installing a connection with a vent line leading into an area that is free from liquids and chips.

FORCE/PRESSURE/DEFLECTION DIAGRAM



Note:

The maximum admissible flow rate amounts to 1.5 l/min.

Contact force:

- Standard 35-60 N

Included in the scope of supply:

- O-Ring Ø15.08x2.62

Material:

- Piston/rod: Case-hardened steel, ground.
- Body: Free machining steel, nitrocarburized.

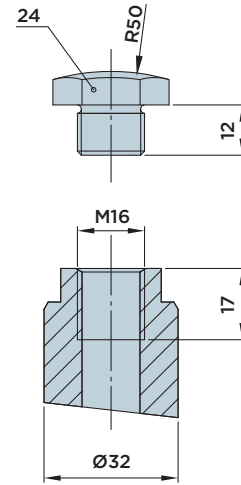
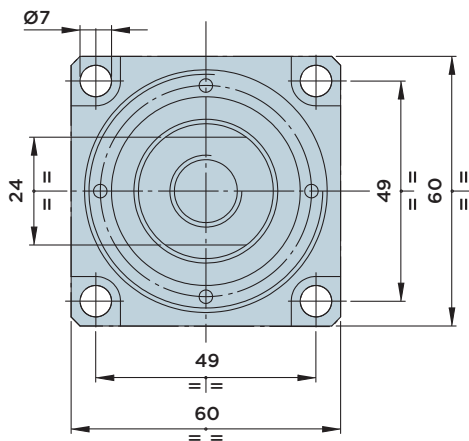
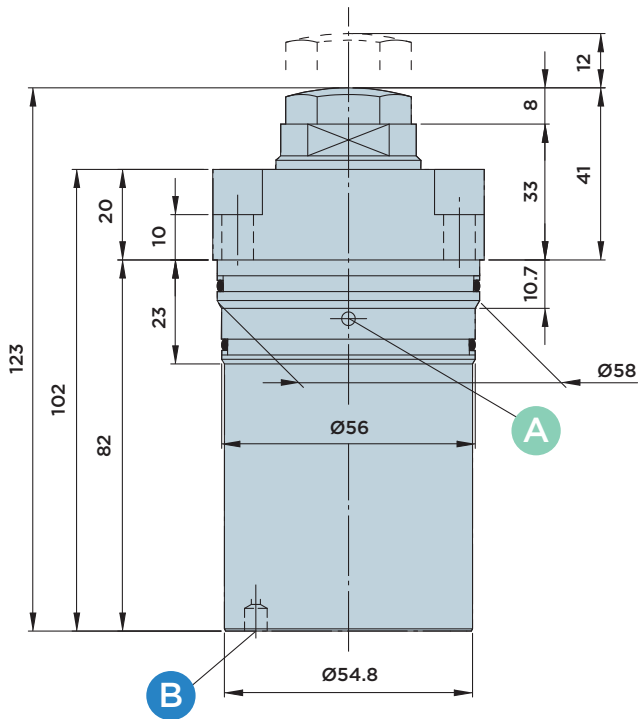
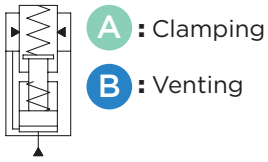


HYDROBLOCK

IRCP 32.0

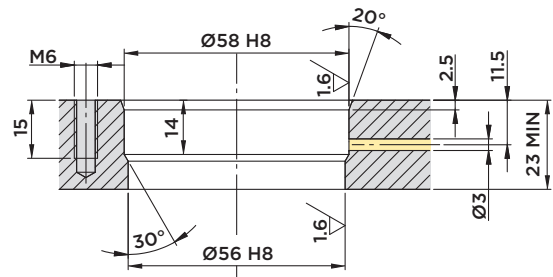
HYDRAULIC WORK SUPPORT WITH **CARTRIDGE BODY**

MAX. OPERATING PRESSURE = 500BAR

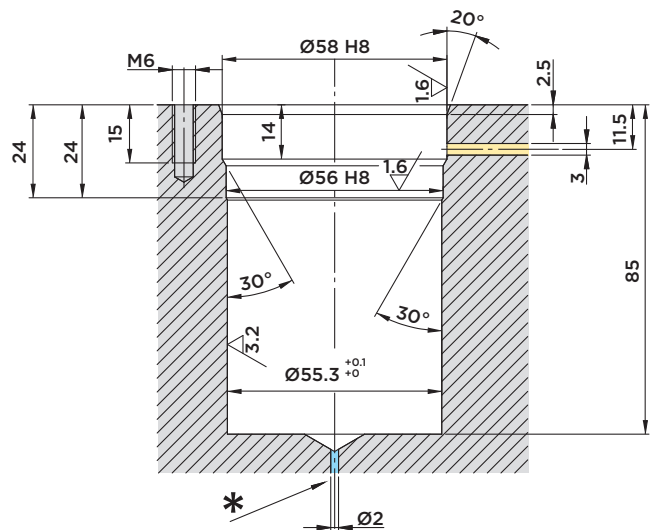


INSTALLATION DIMENSIONS IRCP 32/ IRCM 32

Through-hole mounting



Blind hole mounting



Included in the scope of supply:

- Mounting screws M6x20 DIN912/12.9 grade

Material:

- Piston/rod: Case-hardened steel, ground.
- Body: Free machining steel, nitrocarburized.

- * Venting: We recommend installing a connection with a vent line leading into an area that is free from liquids and chips.



HYDROBLOCK

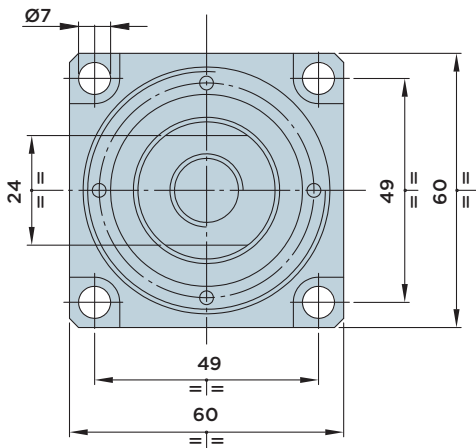
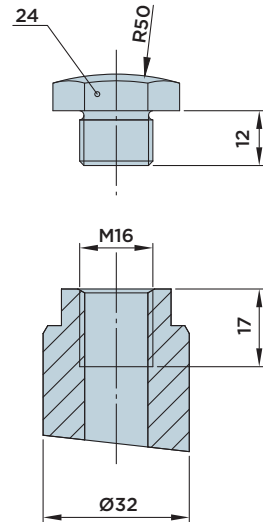
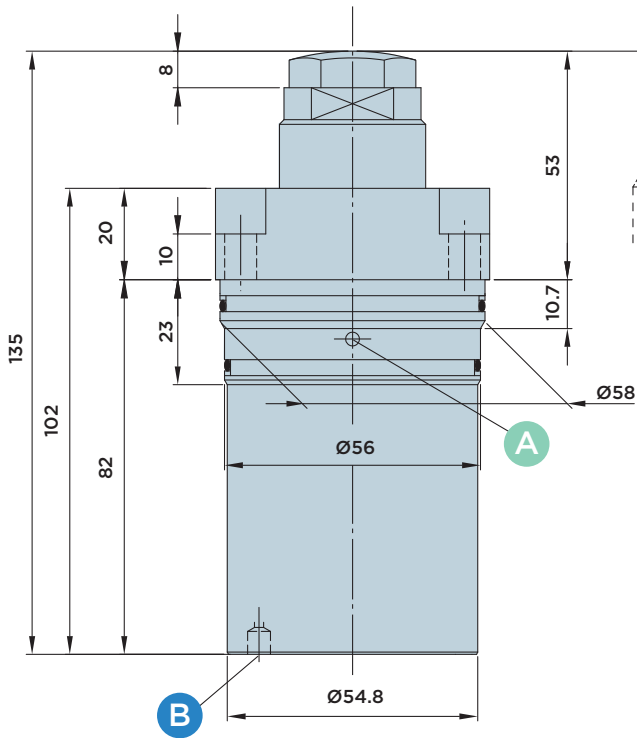
IRCM 32.0

HYDRAULIC WORK SUPPORT WITH **CARTRIDGE BODY**

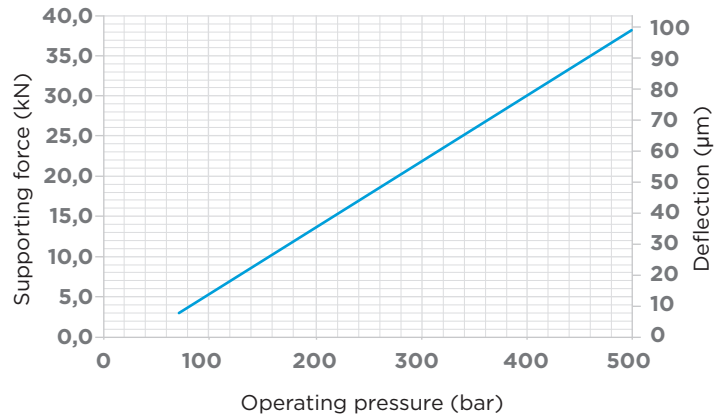
MAX. OPERATING PRESSURE = 500BAR

A : Clamping

B : Venting



FORCE/PRESSURE/DEFLECTION DIAGRAM



Included in the scope of supply:

- Mounting screws M6x20 DIN912/12.9 grade

Material:

- Piston/rod: Case-hardened steel, ground.
- Body: Free machining steel, nitrocarburized.

NOTE:

The maximum admissible flow rate amounts to 1.5 l/min.

Contact force:

- Standard 35±60 N

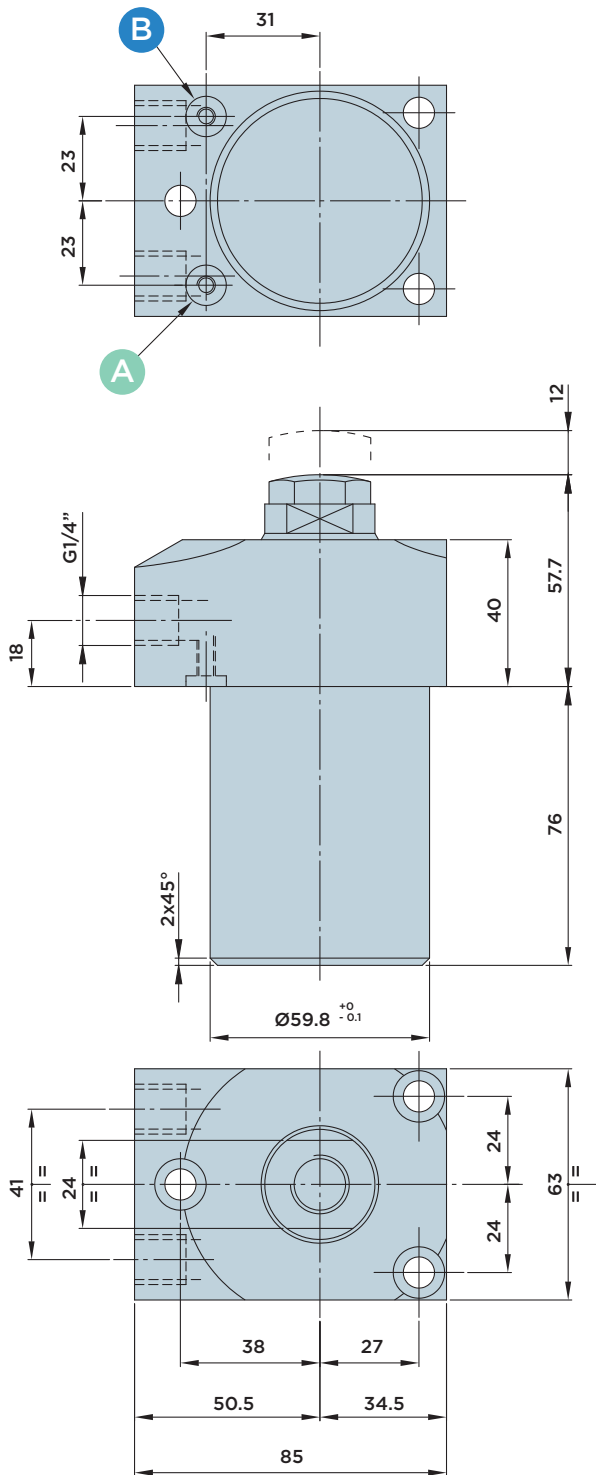
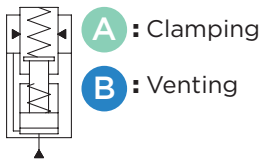


HYDROBLOCK

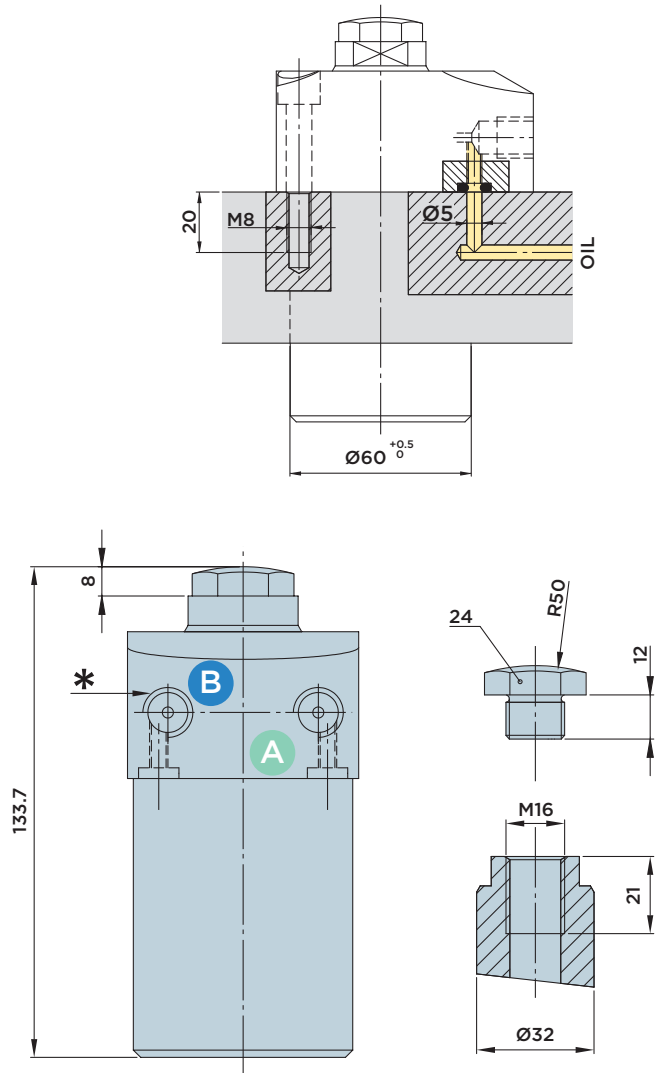
IRFLP 32.0

HYDRAULIC WORK SUPPORT WITH **UPPER FLANGE**

MAX. OPERATING PRESSURE = 500BAR



INSTALLATION DIMENSIONS



* When the external vent port is used, a vent pipe must be connected that leads into an area that is free from liquids and chips.

Note:

The maximum admissible flow rate amounts to 1.5 l/min.

Contact force:

- Standard 35÷60 N

Included in the scope of supply:

- Mounting screws M8x45 DIN912/12.9 grade
- O-rings $\varnothing 4.34 \times 3.53$

Material:

- Piston/rod: Case-hardened steel, ground.
- Body: Free machining steel, nitrocarburized.



HYDROBLOCK

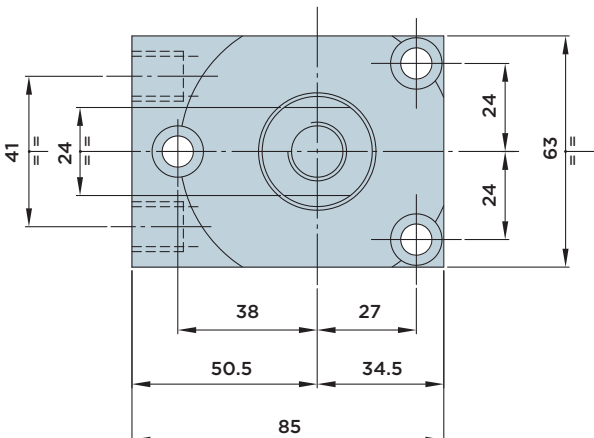
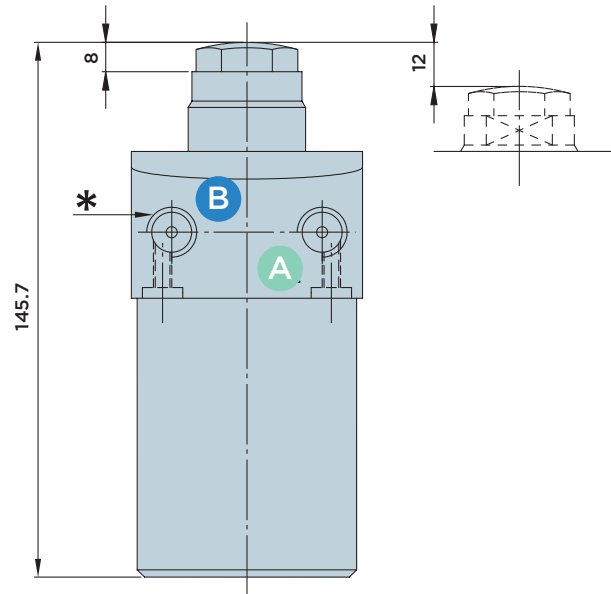
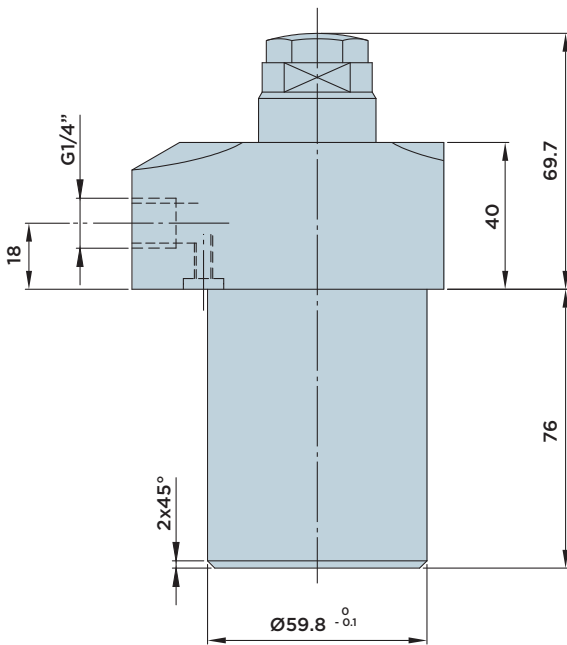
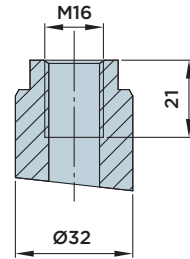
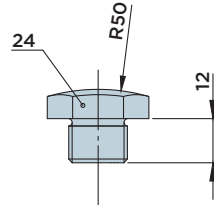
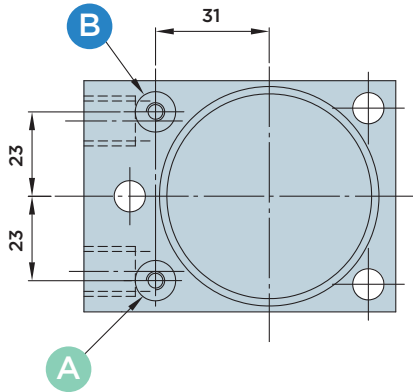
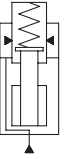
IRFLM 32.0

HYDRAULIC WORK SUPPORT WITH **UPPER FLANGE**

MAX. OPERATING PRESSURE = 500BAR

A : Clamping

B : Venting



FORCE/PRESSURE/DEFLECTION DIAGRAM

