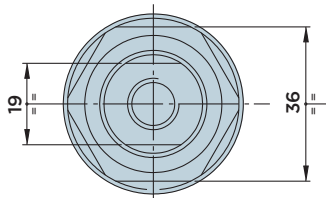
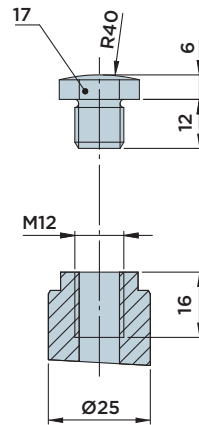
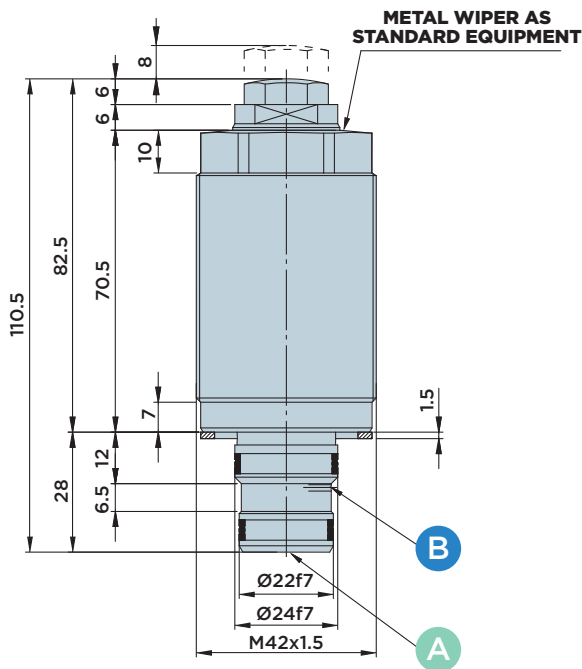
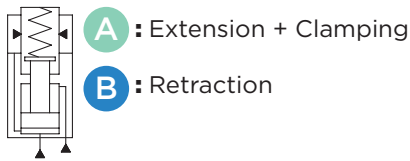


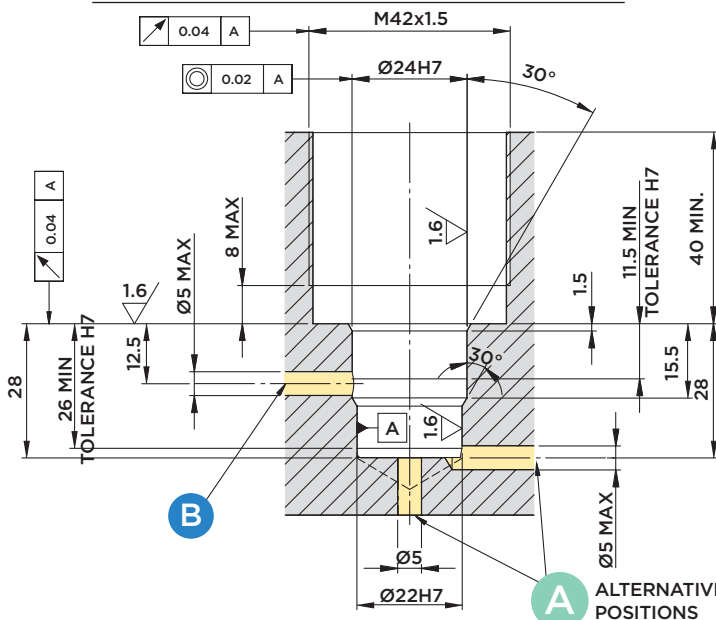
IRFP 25.8D

HYDRAULIC WORK SUPPORT WITH **UPPER FLANGE DOUBLE-ACTING**

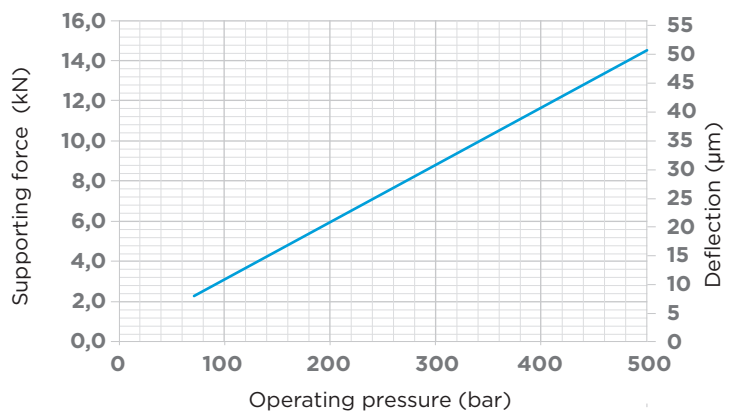
MAX. OPERATING PRESSURE = 500BAR



INSTALLATION DIMENSIONS



FORCE/PRESSURE/DEFLECTION DIAGRAM



Note:

The maximum admissible flow rate amounts to 1.5 l/min.

Contact force:

- Standard 25÷35 N
- Upon request 10÷20 N (order no. IRFP25.8DL)

Included in the scope of supply:

- Sealing ring Ø33.5xØ40x1.5

Material:

- Piston/rod: Case-hardened steel, ground.
- Body: Free machining steel, nitrocarburized.

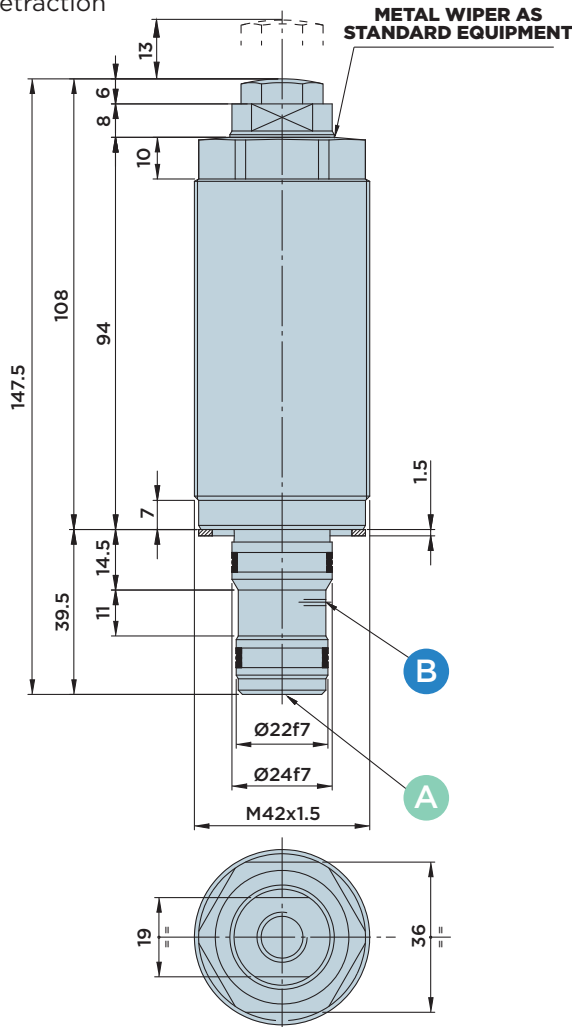
IRFP 25.13D

HYDRAULIC WORK SUPPORT WITH **UPPER FLANGE DOUBLE-ACTING**

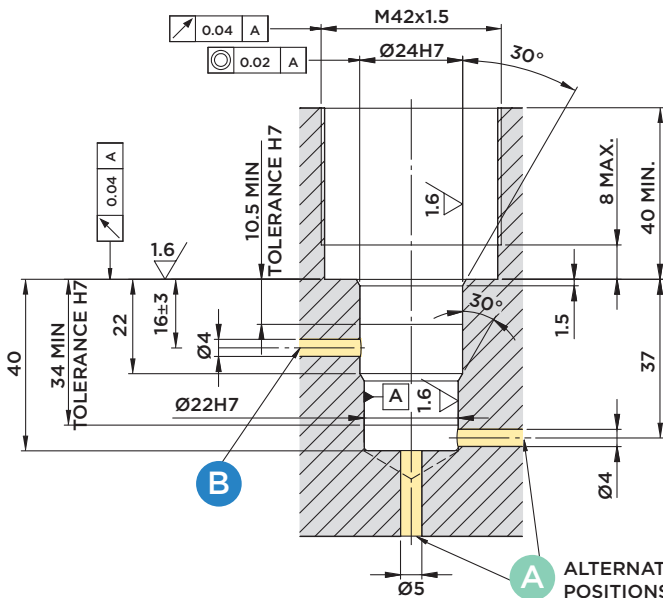
MAX. OPERATING PRESSURE = 500BAR

A : Extension + Clamping

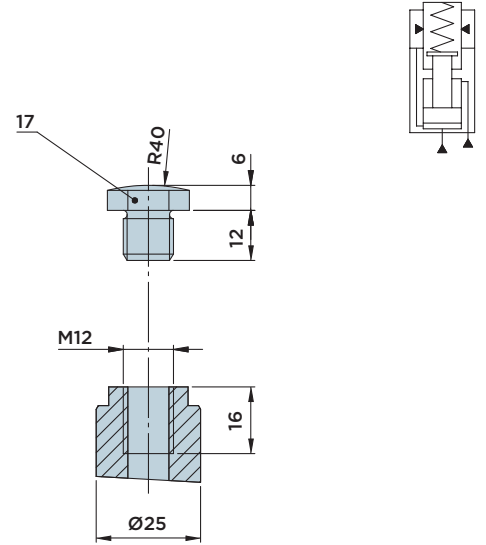
B : Retraction



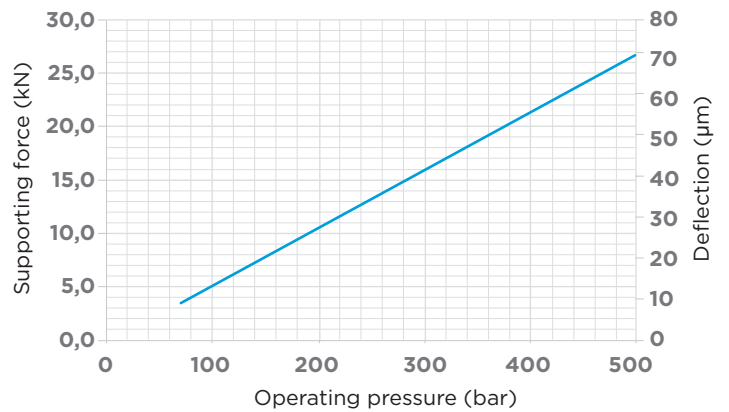
INSTALLATION DIMENSIONS



ALTERNATIVE POSITIONS



FORCE/PRESSURE/DEFLECTION DIAGRAM



Note:

The maximum admissible flow rate amounts to 1.5 l/min.

Contact force:

- Standard 30÷50 N

Included in the scope of supply:

- Sealing ring Ø33.5xØ40x1.5

Material:

- Piston/rod: Case-hardened steel, ground.
- Body: Free machining steel, nitrocarburized.