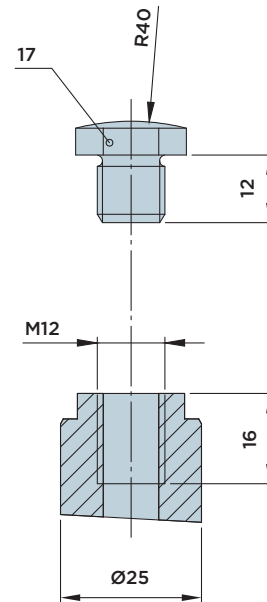
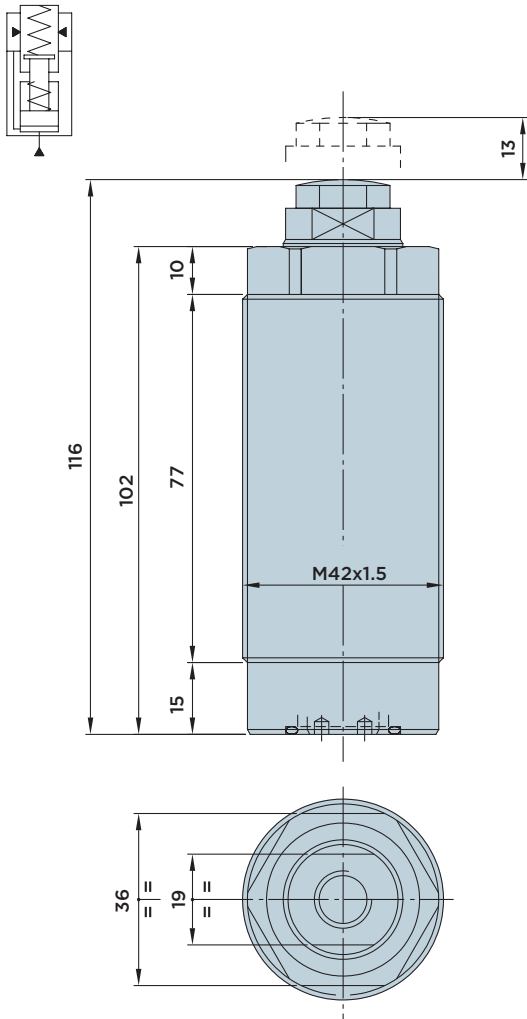


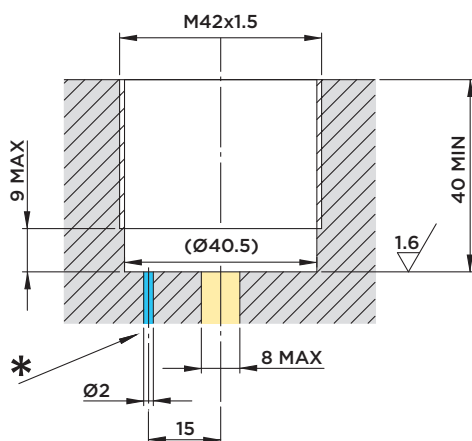
# IRFP 25.1

HYDRAULIC WORK SUPPORT WITH **THREADED BODY**

MAX. OPERATING PRESSURE = 500BAR

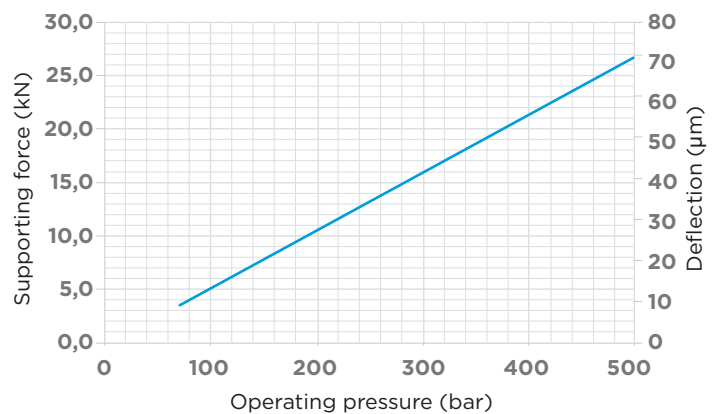


## INSTALLATION DIMENSIONS



\* Venting: We recommend installing a connection with a vent line leading into an area that is free from liquids and chips.

## FORCE/PRESSURE/DEFLECTION DIAGRAM



### Note:

The maximum admissible flow rate amounts to 1.5 l/min.

### Contact force:

- Standard 30÷50 N

### Included in the scope of supply:

- O-Ring Ø18x3 mm

### Material:

- Piston/rod: Case-hardened steel, ground.
- Body: Free machining steel, nitrocarburized.

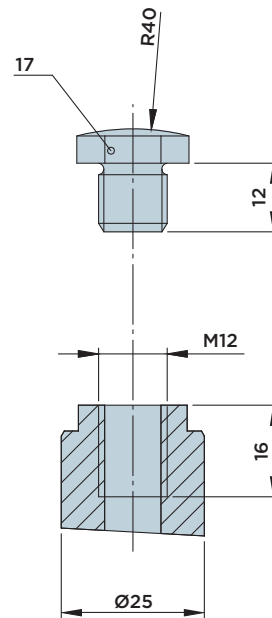
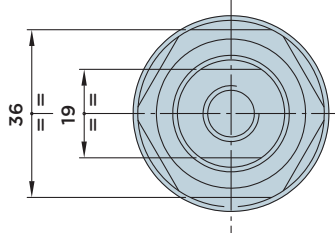
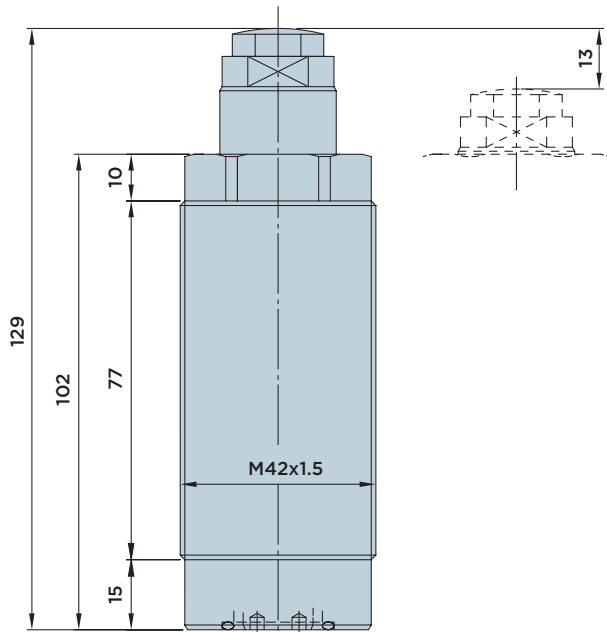


HYDROBLOCK

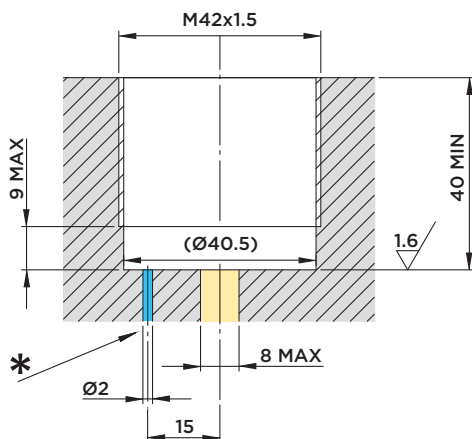
# IRFM 25.1

HYDRAULIC WORK SUPPORT WITH **THREADED BODY**

MAX. OPERATING PRESSURE = 500BAR

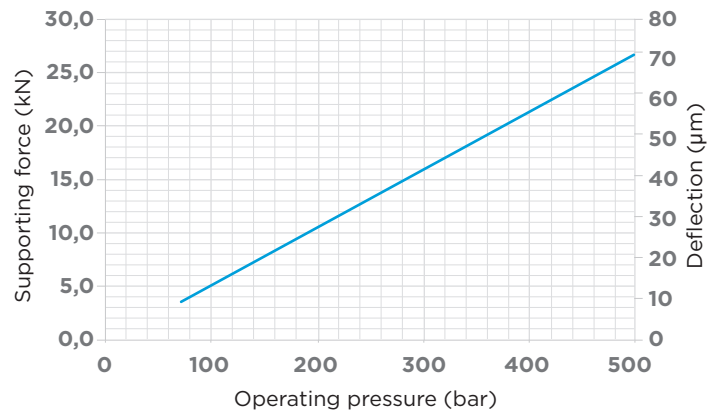


## INSTALLATION DIMENSIONS



\* Venting: We recommend installing a connection with a vent line leading into an area that is free from liquids and chips.

## FORCE/PRESSURE/DEFLECTION DIAGRAM



### Note:

The maximum admissible flow rate amounts to 1.5 l/min.

### Contact force:

- Standard 30÷50 N

### Included in the scope of supply:

- O-Ring Ø9.92x2.62

### Material:

- Piston/rod: Case-hardened steel, ground.
- Body: Free machining steel, nitrocarburized.



HYDROBLOCK