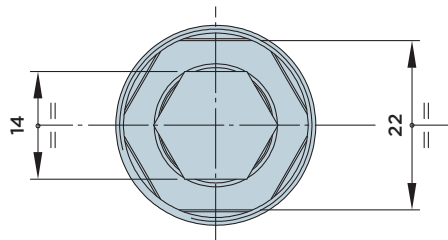
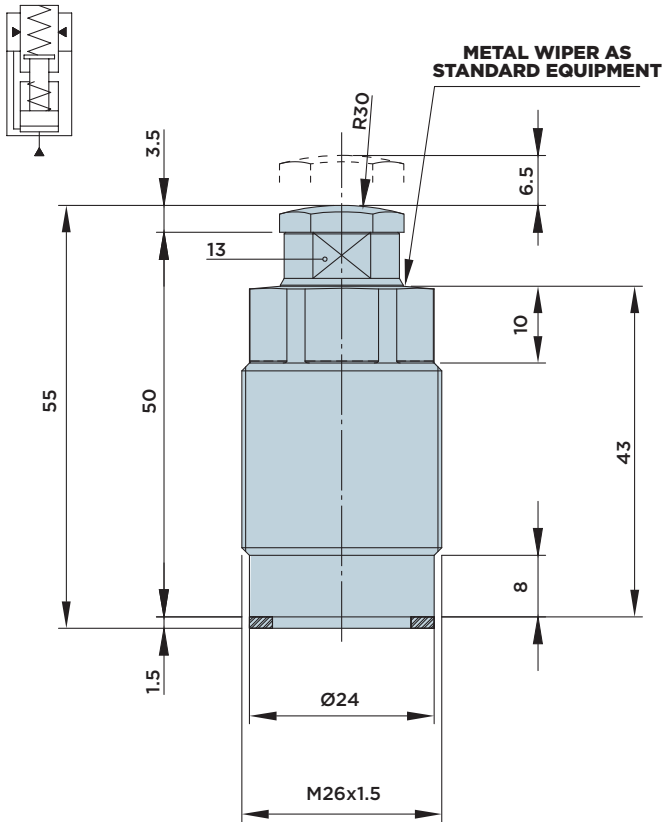


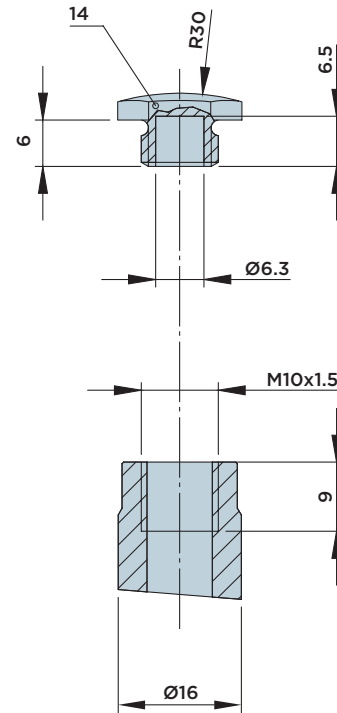
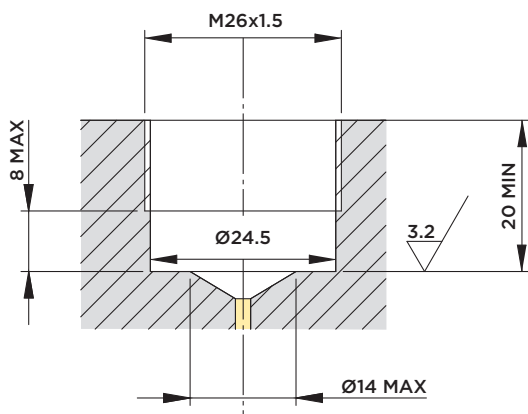
IRFP 16S

HYDRAULIC WORK SUPPORT WITH **THREADED BODY**

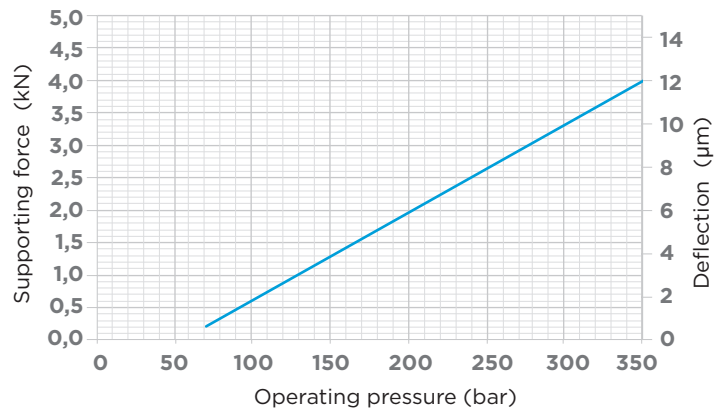
MAX. OPERATING PRESSURE = 350BAR



INSTALLATION DIMENSIONS



FORCE/PRESSURE/DEFLECTION DIAGRAM



Note:

The maximum admissible flow rate amounts to 1.5 l/min.

Contact force:

- Standard 15÷25 N

Included in the scope of supply:

- Sealing ring Ø18xØ24x1.5

Material:

- Piston/rod: Case-hardened steel, ground.
- Body: Free machining steel, nitrocarburized.



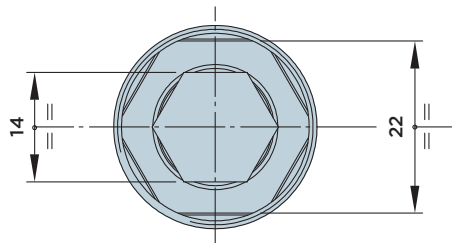
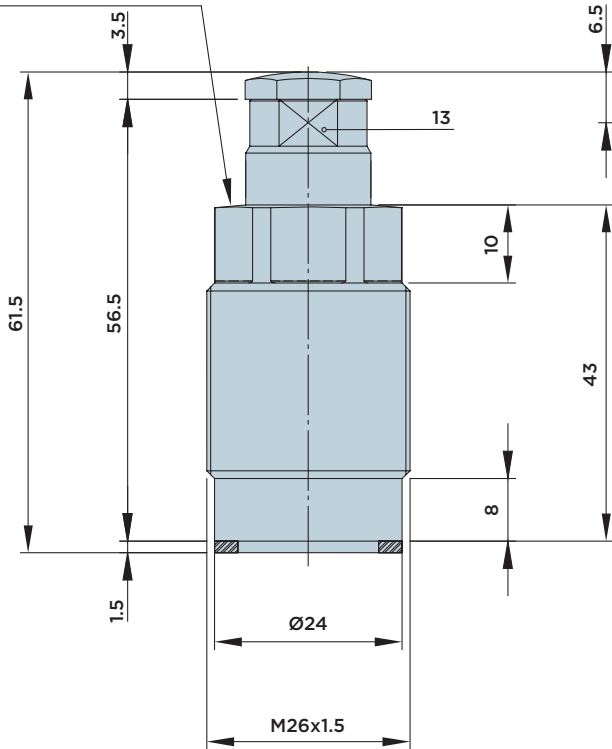
HYDROBLOCK

IRFM 16S

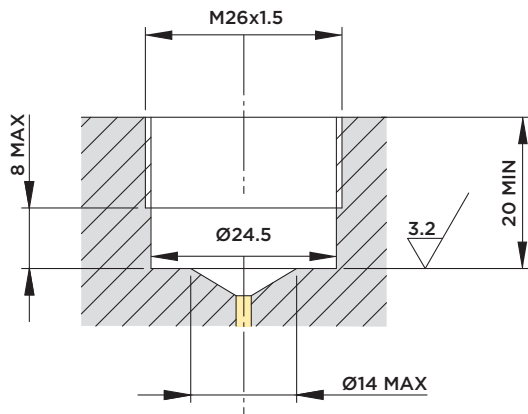
HYDRAULIC WORK SUPPORT WITH **THREADED BODY**

MAX. OPERATING PRESSURE = 350BAR

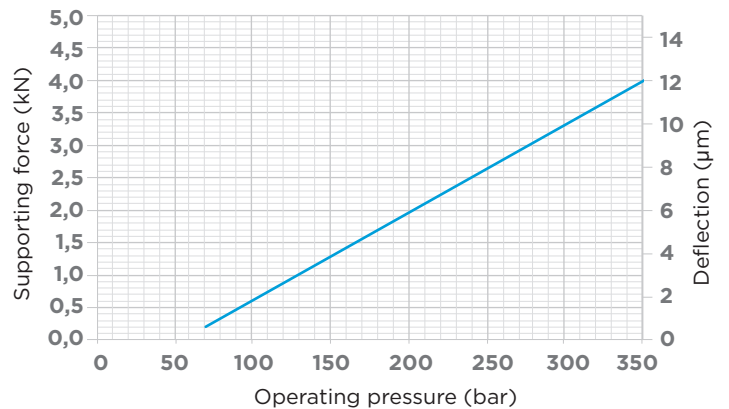
METAL WIPER AS STANDARD EQUIPMENT



INSTALLATION DIMENSIONS



FORCE/PRESSURE/DEFLECTION DIAGRAM



Note:

The maximum admissible flow rate amounts to 1.5 l/min.

Contact force:

- Standard 15÷25 N

Included in the scope of supply:

- Sealing ring Ø18xØ24x1.5

Material:

- Piston/rod: Case-hardened steel, ground.
- Body: Free machining steel, nitrocarburized.



HYDROBLOCK