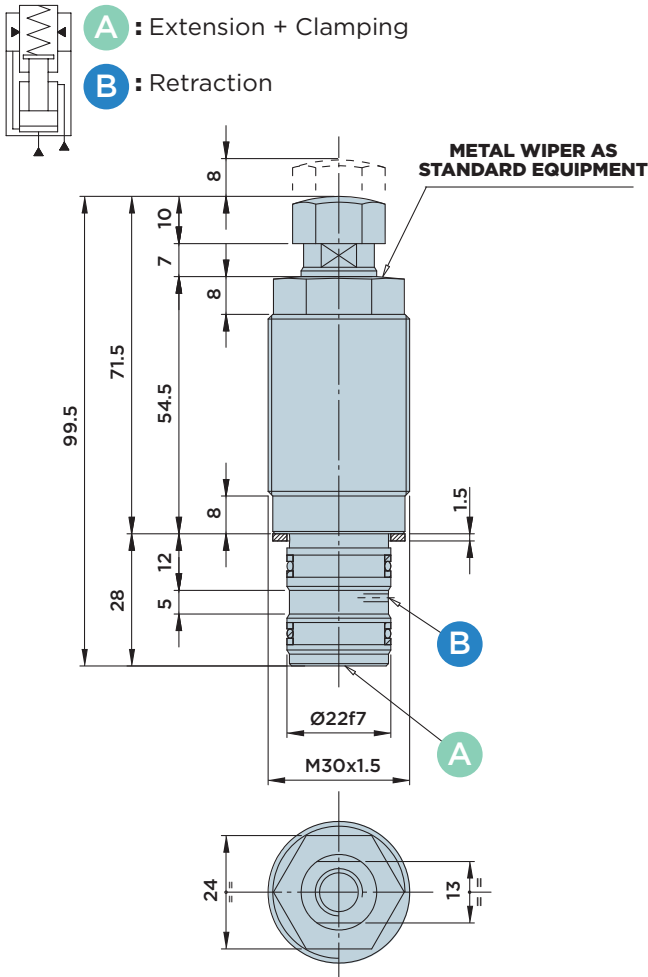


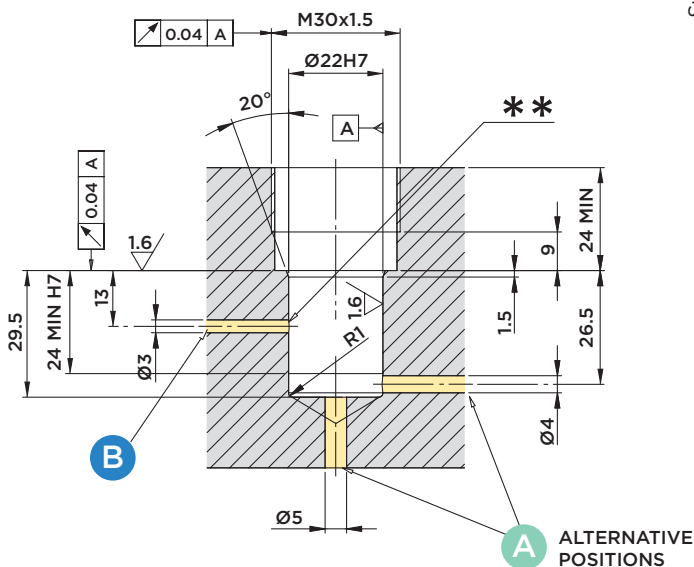
# IRFP 16.8D

HYDRAULIC WORK SUPPORT WITH **UPPER FLANGE DOUBLE-ACTING**

MAX. OPERATING PRESSURE = 500BAR

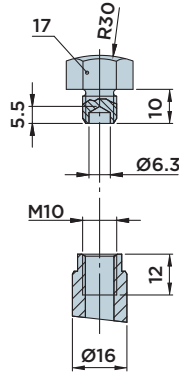


## INSTALLATION DIMENSIONS

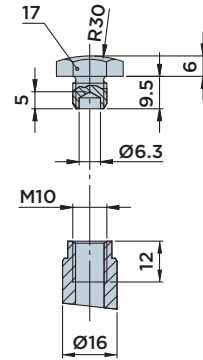


\*\* Debur and round off any edges

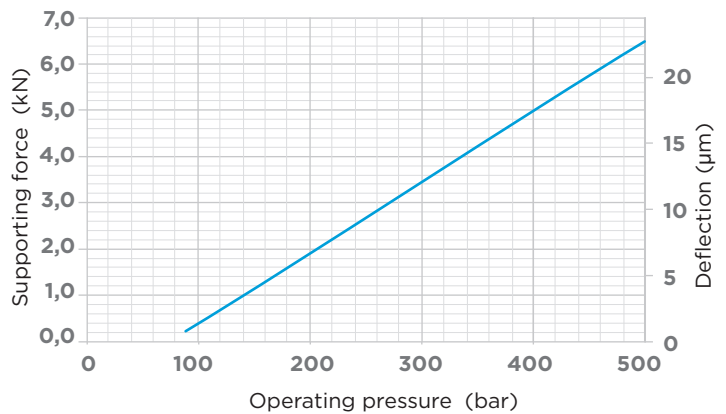
## STANDARD



## UPON REQUEST ORDER CODE IRFP16DK (SIMILAR TO IRFP16.0)



## FORCE/PRESSURE/DEFLECTION DIAGRAM



### Note:

The maximum admissible flow rate amounts to 1.5 l/min.

### Contact force:

- Standard 15÷35 N
- Upon request 10÷20 N (order no. IRFP16.8DL)

### Included in the scope of supply:

- Sealing ring Ø22xØ28x1.5

### Material:

- Piston/rod: Case-hardened steel, ground.
- Body: Free machining steel, nitrocarburized.

### Options:

The cylinder is also available with thin pressure pad h=6mm (see IRFP16.8DK)



HYDROBLOCK

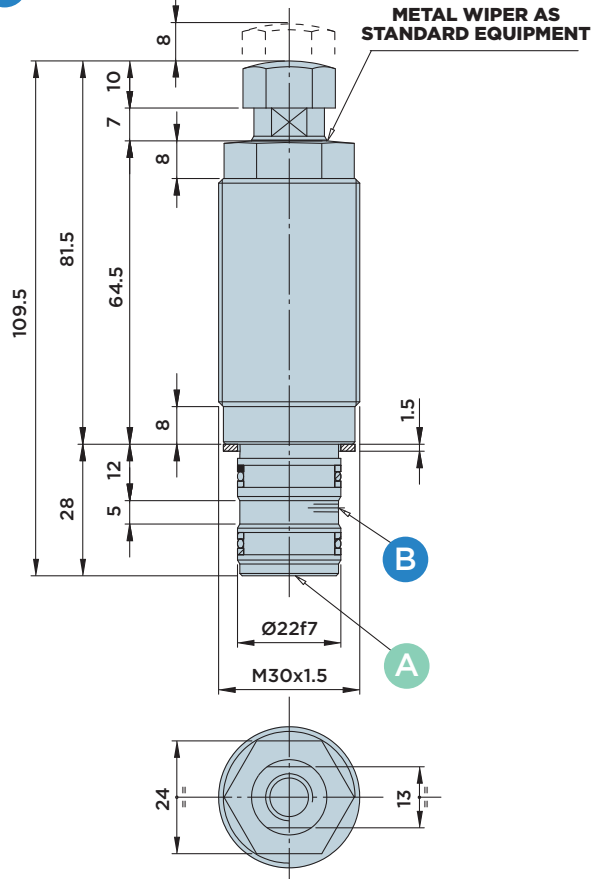
# IRFP 16.8LD

HYDRAULIC WORK SUPPORT WITH **UPPER FLANGE DOUBLE-ACTING**

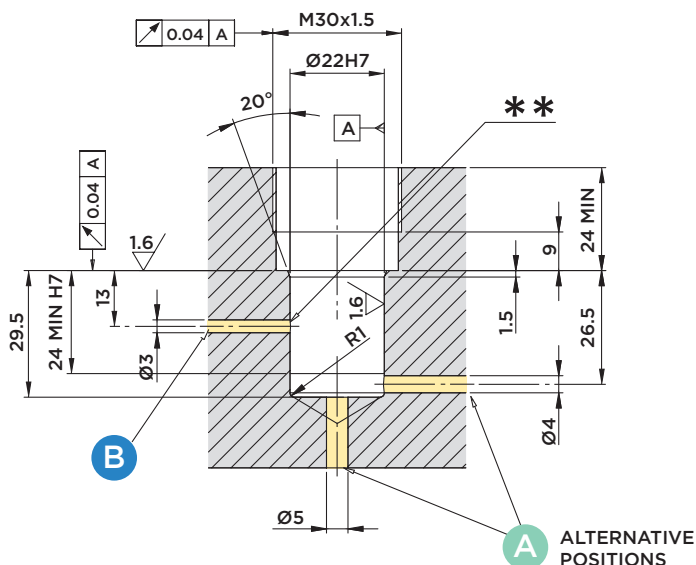
MAX. OPERATING PRESSURE = 500BAR

**A** : Extension + Clamping

**B** : Retraction

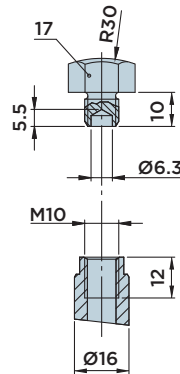


## INSTALLATION DIMENSIONS

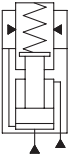
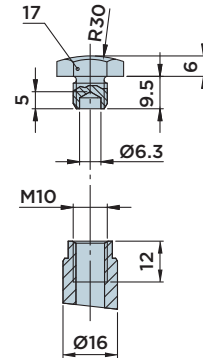


\*\* Debur and round off any edges

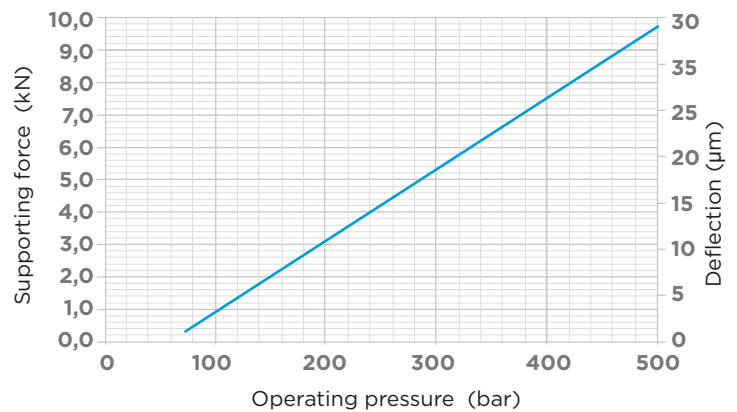
## STANDARD



## UPON REQUEST ORDER CODE IRFP16LDK (SIMILAR TO IRFP16.0)



## FORCE/PRESSURE/DEFLECTION DIAGRAM



### Note:

The maximum admissible flow rate amounts to 1.5 l/min.

### Contact force:

- Standard 15÷35 N
- Upon request 10÷20 N (order no. IRFP16.8DL)

### Included in the scope of supply:

- Sealing ring Ø22xØ28x1.5

### Material:

- Piston/rod: Case-hardened steel, ground.
- Body: Free machining steel, nitrocarburized.

### Options:

The cylinder is also available with thin pressure pad h=6mm (see IRFP16.8DK).



HYDROBLOCK