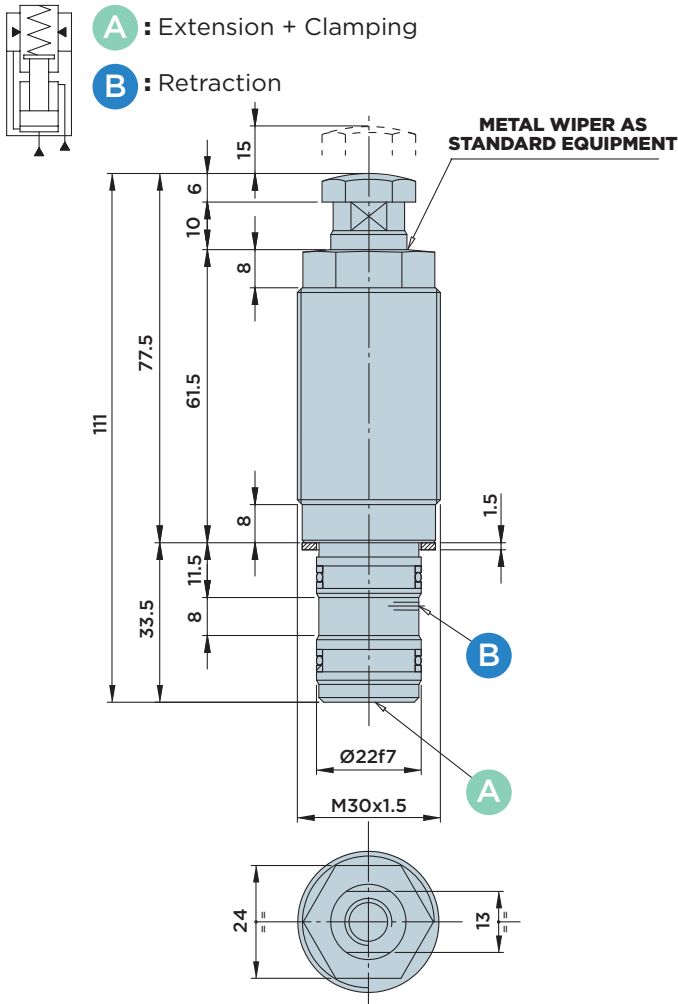


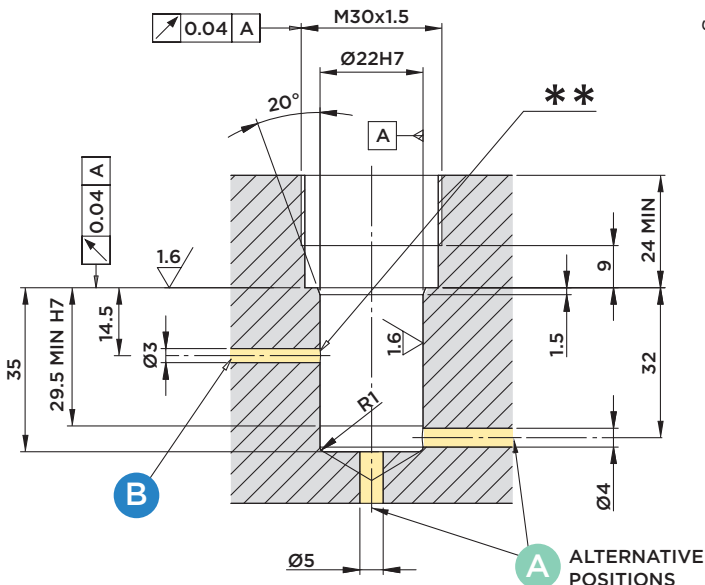
IRFP 16.15D

HYDRAULIC WORK SUPPORT WITH **UPPER FLANGE DOUBLE-ACTING**

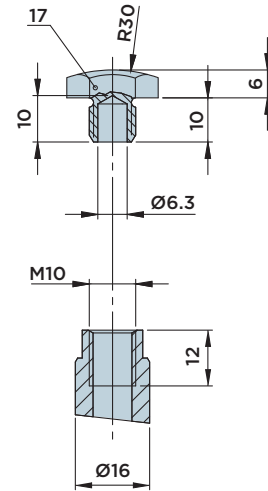
MAX. OPERATING PRESSURE = 500BAR



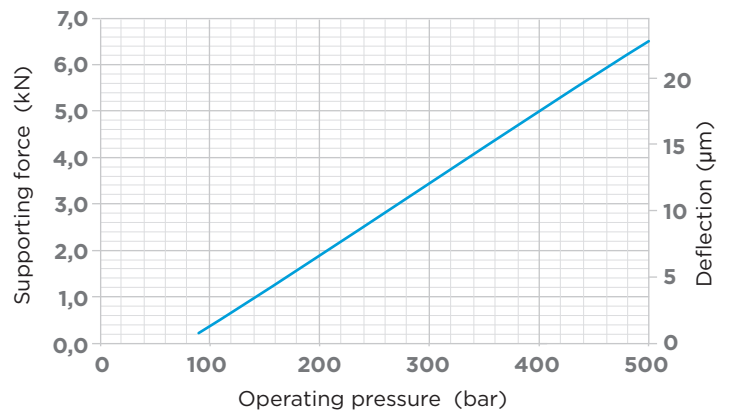
INSTALLATION DIMENSIONS



IRFP16.15D / IRFP 16.15LD



FORCE/PRESSURE/DEFLECTION DIAGRAM



Note:

The maximum admissible flow rate amounts to 1.5 l/min.

Contact force:

- Standard 10÷22 N

Included in the scope of supply:

- Sealing ring Ø22xØ28x1.5

Material:

- Piston/rod: Case-hardened steel, ground.
- Body: Free machining steel, nitrocarburized.

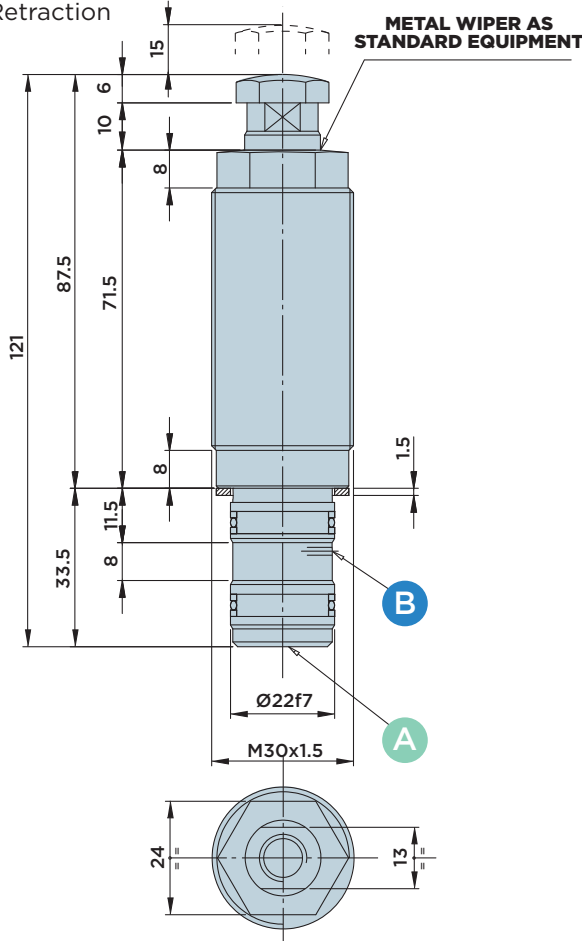
IRFP 16.15LD

HYDRAULIC WORK SUPPORT WITH **UPPER FLANGE DOUBLE-ACTING**

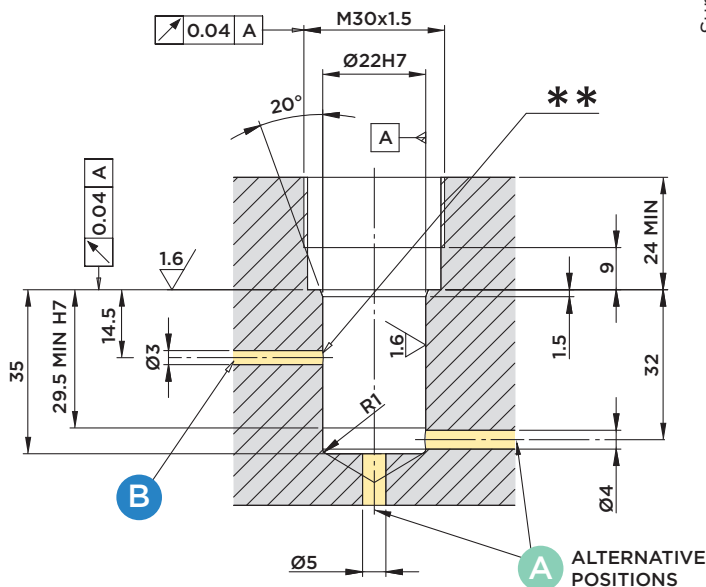
MAX. OPERATING PRESSURE = 500BAR

A : Extension + Clamping

B : Retraction

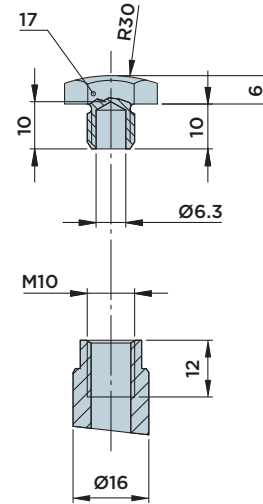


INSTALLATION DIMENSIONS

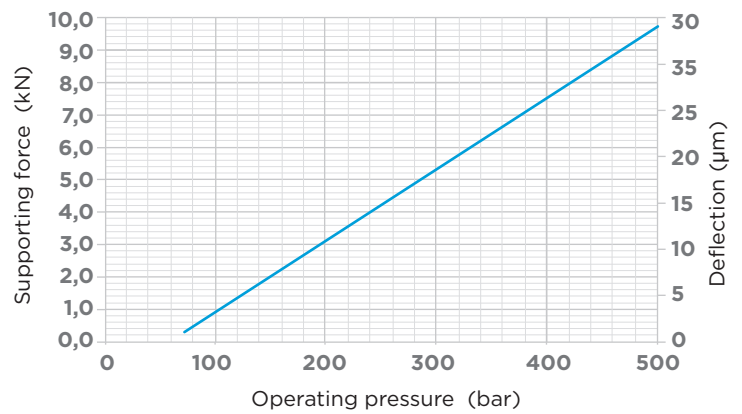


** Deburr and round off any edges

IRFP16.15D / IRFP 16.15LD



FORCE/PRESSURE/DEFLECTION DIAGRAM



Note:

The maximum admissible flow rate amounts to 1.5 l/min.

Contact force:

- Standard 10±22 N

Included in the scope of supply:

- Sealing ring Ø22xØ28x1.5

Material:

- Piston/rod: Case-hardened steel, ground.
- Body: Free machining steel, nitrocarburized.