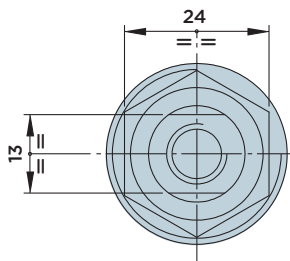
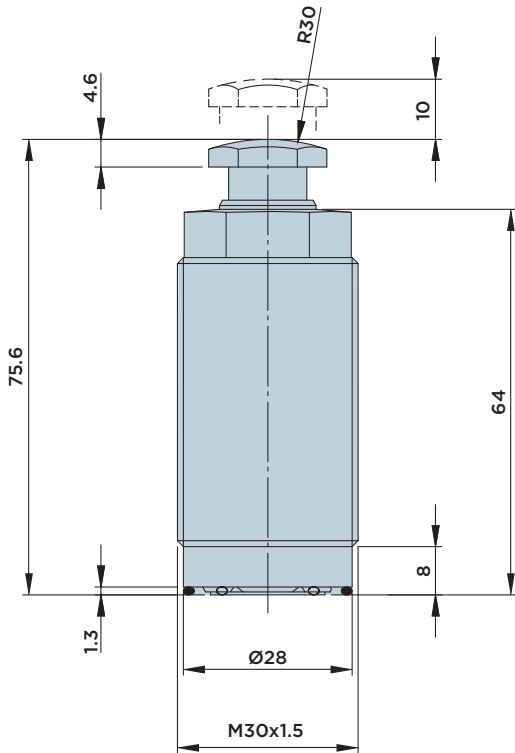


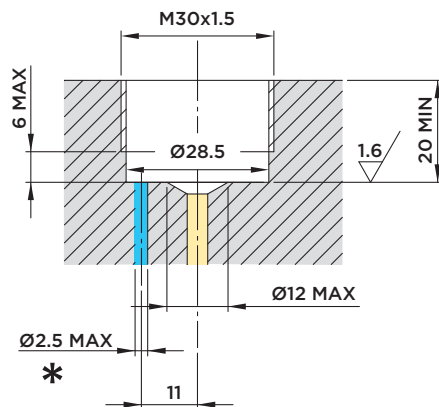
IRFP 16.10A

PRESSURIZED WORK SUPPORTS WITH THREADED BODY

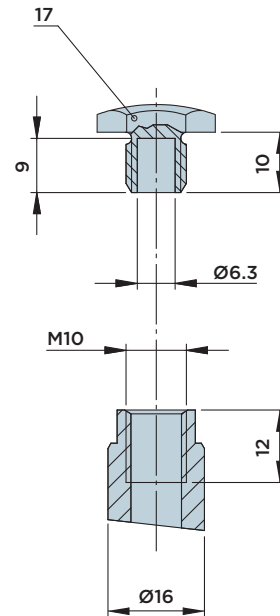
MAX. OPERATING PRESSURE = 500BAR



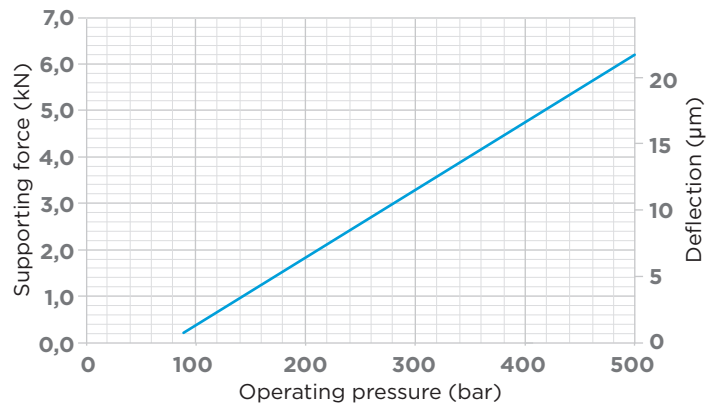
INSTALLATION DIMENSIONS



* Pneumatic supply: see page 281.



FORCE/PRESSURE/DEFLECTION DIAGRAM



Note:

The maximum admissible flow rate amounts to 1.5 l/min.

Contact force:

- Standard 15÷30 N
- Upon request 8÷20 N (order no. IRFM16.10AL)

Included in the scope of supply:

- O-ring Ø14x1.78
- O-ring Ø23.52x1.78

Material:

- Piston/rod: Case-hardened steel, ground.
- Body: Free machining steel, nitrocarburized.

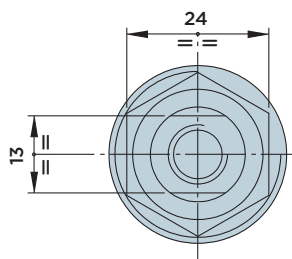
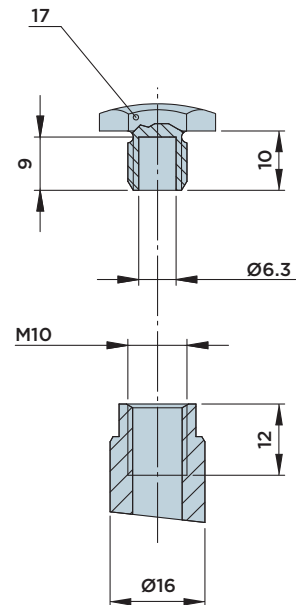
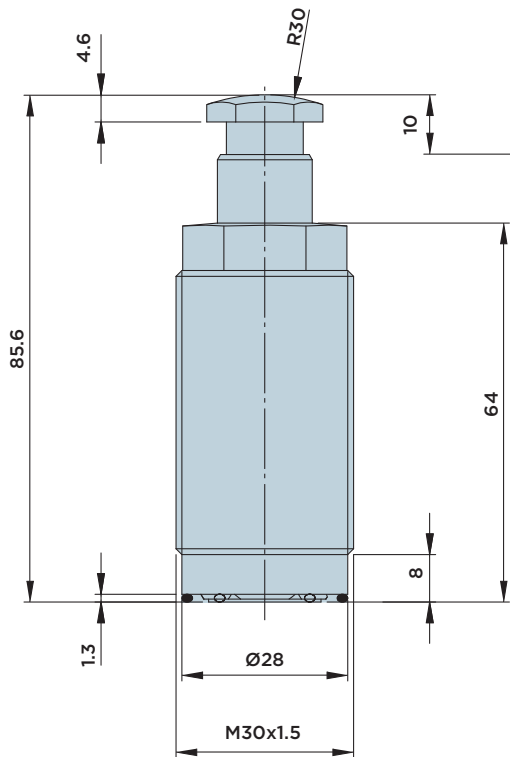


HYDROBLOCK

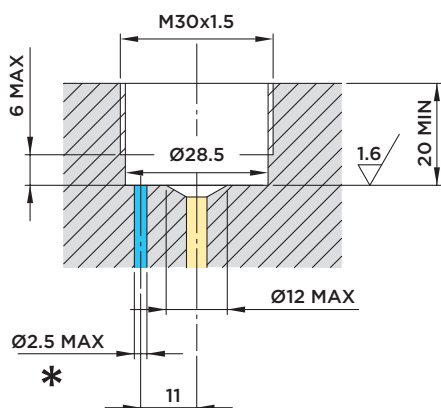
IRFM 16.10A

PRESSURIZED WORK SUPPORTS WITH THREADED BODY

MAX. OPERATING PRESSURE = 500BAR

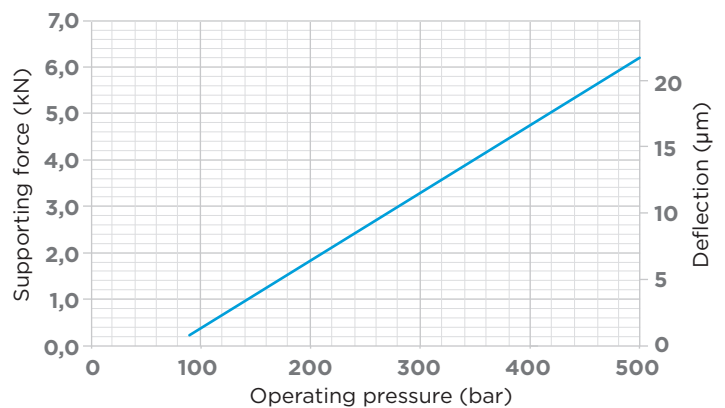


INSTALLATION DIMENSIONS



* Pneumatic supply: see page 281.

FORCE/PRESSURE/DEFLECTION DIAGRAM



Note:

The maximum admissible flow rate amounts to 1.5 l/min.

Contact force:

- Standard 15÷30 N
- Upon request 8÷20 N (order no. IRFM16.10AL)

Included in the scope of supply:

- O-ring Ø14x1.78
- O-ring Ø23.52x1.78

Material:

- Piston/rod: Case-hardened steel, ground.
- Body: Free machining steel, nitrocarburized.



HYDROBLOCK