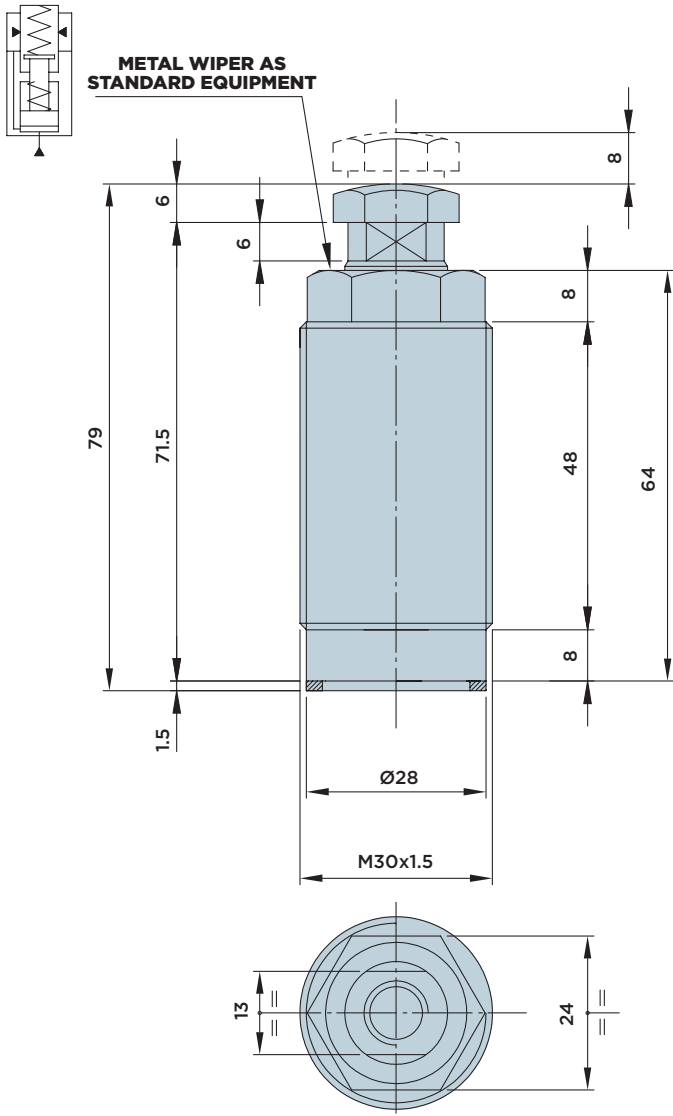


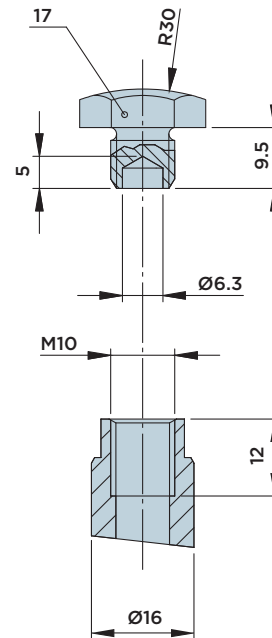
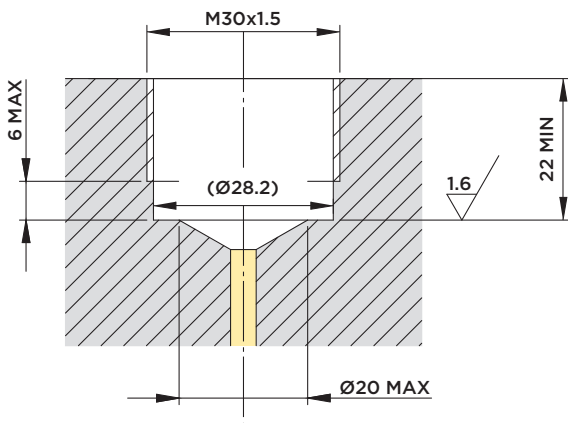
IRFP 16.0

HYDRAULIC WORK SUPPORT WITH **THREADED BODY**

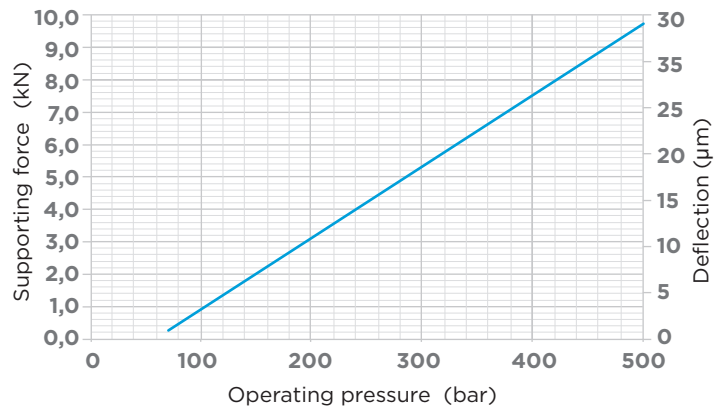
MAX. OPERATING PRESSURE = 500BAR



INSTALLATION DIMENSIONS



FORCE/PRESSURE/DEFLECTION DIAGRAM



Note:

The maximum admissible flow rate amounts to 1.5 l/min.

Contact force:

- Standard 15÷35 N
- Upon request 10÷20 N (order no. IRFP16.0L)

Included in the scope of supply:

- Sealing ring Ø22xØ28x1.5

Material:

- Piston/rod: Case-hardened steel, ground.
- Body: Free machining steel, nitrocarburized.

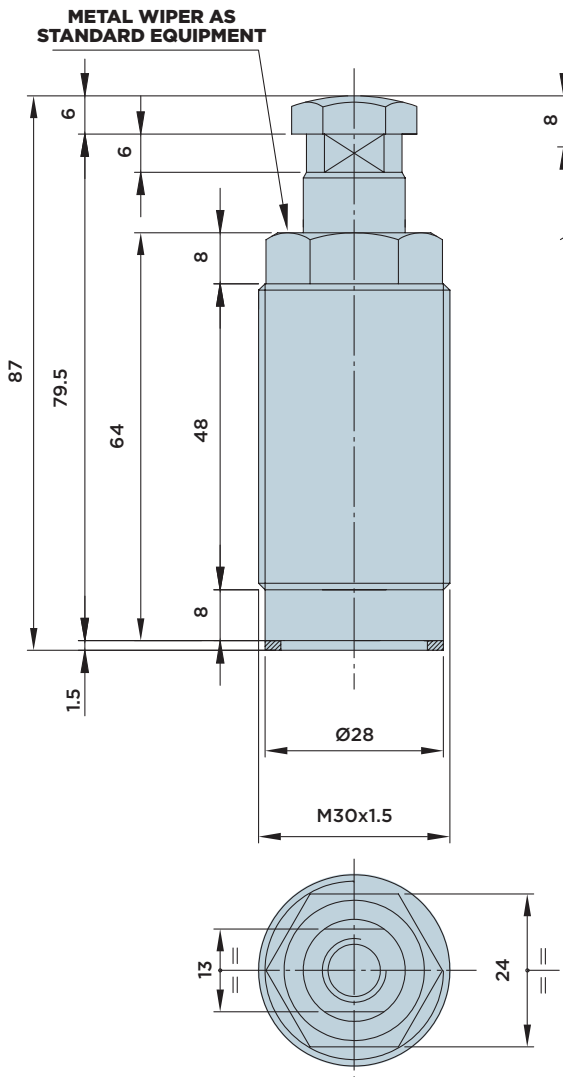


HYDROBLOCK

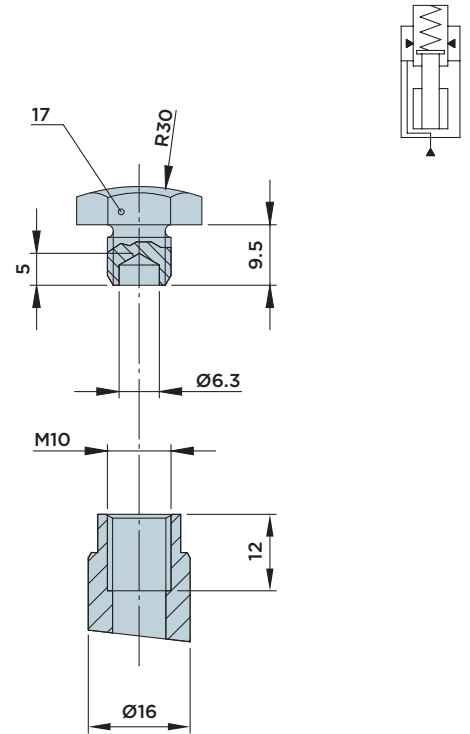
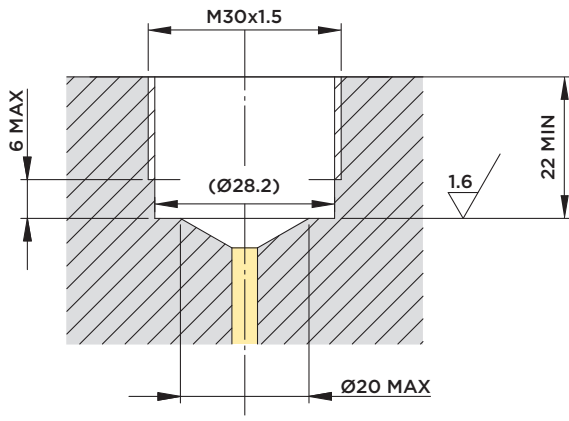
IRFM 16.0

HYDRAULIC WORK SUPPORT WITH **THREADED BODY**

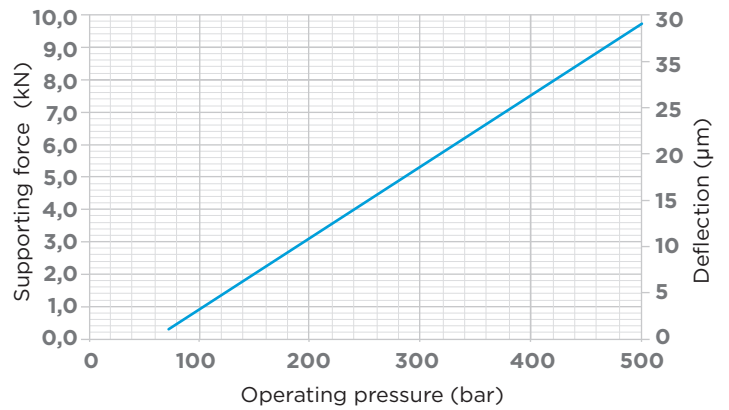
MAX. OPERATING PRESSURE = 500BAR



INSTALLATION DIMENSIONS



FORCE/PRESSURE/DEFLECTION DIAGRAM



Note:

The maximum admissible flow rate amounts to 1.5 l/min.

Contact force:

- Standard 15÷35 N
- Upon request 10÷20 N (order no. IRFM16.0L)

Included in the scope of supply:

- Sealing ring Ø22xØ28x1.5

Material:

- Piston/rod: Case-hardened steel, ground.
- Body: Free machining steel, nitrocarburized.



HYDROBLOCK