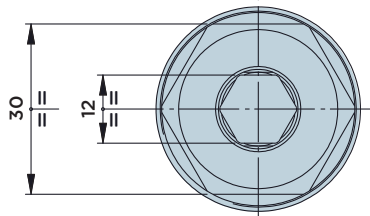
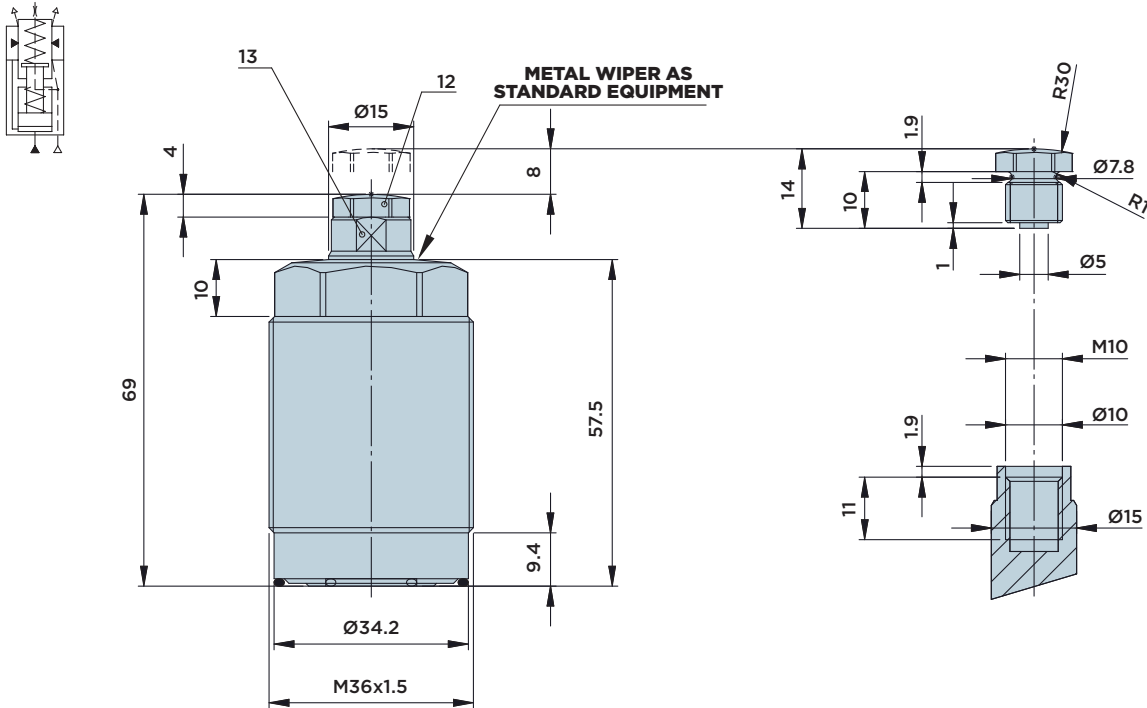


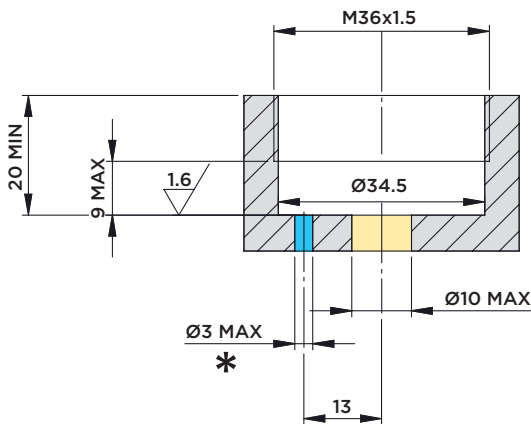
IRFP 15.70

HYDRAULIC WORK SUPPORT WITH **THREADED BODY**

MAX. OPERATING PRESSURE = 70BAR

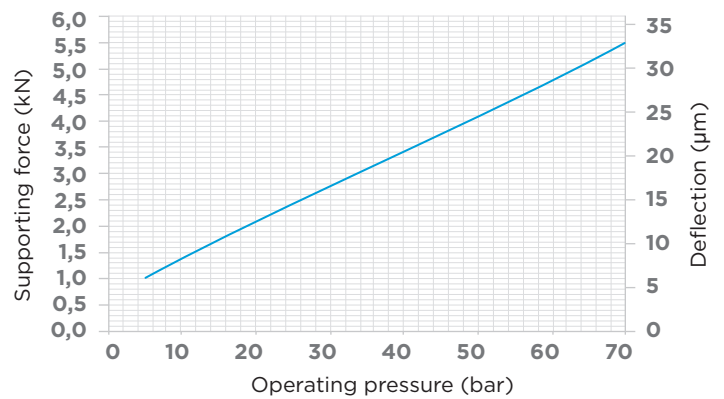


INSTALLATION DIMENSIONS



* Pneumatic supply: see page 281.

FORCE/PRESSURE/DEFLECTION DIAGRAM



Note:

The maximum admissible flow rate amounts to 1.5 l/min.

Contact force:

- Standard 5÷8 N
- Upon request 6÷11 (order no. IRFP15.70H)

Included in the scope of supply:

- O-Ring Ø12.42x1.78
- O-Ring Ø31.42x1.78

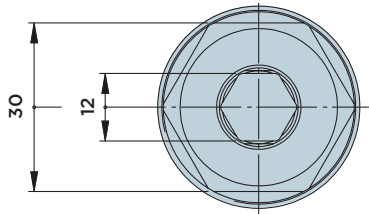
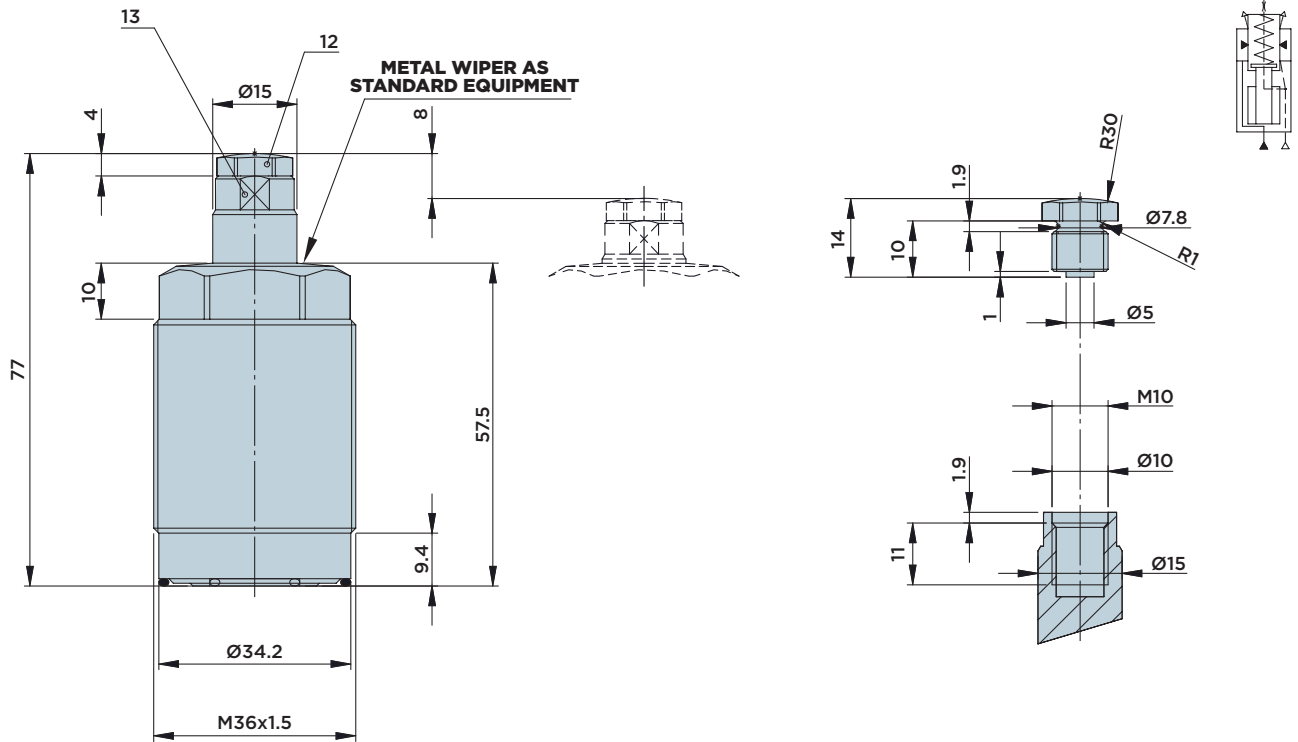
Material:

- Piston/rod: Case-hardened steel, ground.
- Body: Free machining steel, nitrocarburized.

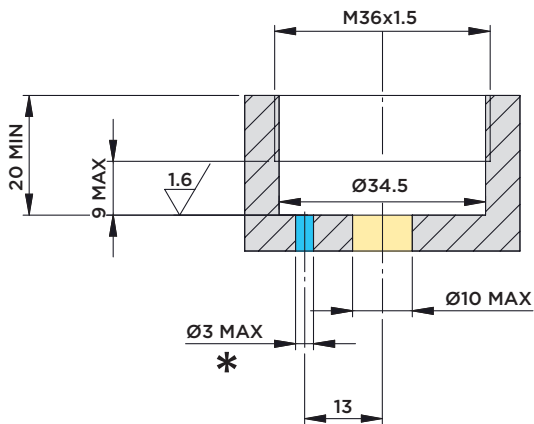
IRFM 15.70

HYDRAULIC WORK SUPPORT WITH **THREADED BODY**

MAX. OPERATING PRESSURE = 70BAR

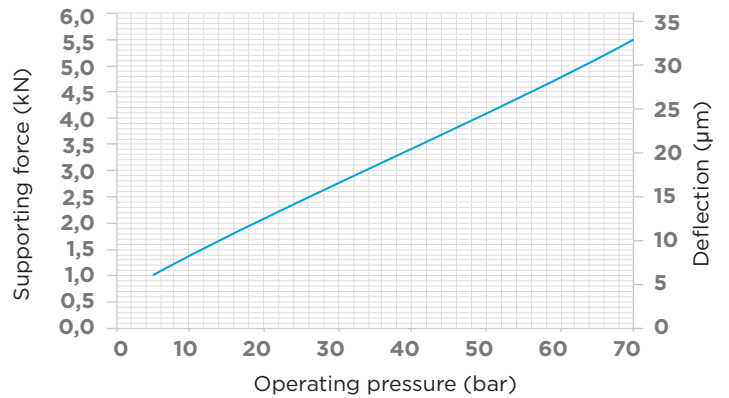


INSTALLATION DIMENSIONS



* Pneumatic supply: see page 281.

FORCE/PRESSURE/DEFLECTION DIAGRAM



Note:

The maximum admissible flow rate amounts to 1.5 l/min.

Contact force:

- Standard 5÷8 N
- Upon request 6÷11 (order no. IRFM15.70H)

Included in the scope of supply:

- O-Ring Ø12.42x1.78
- O-Ring Ø31.42x1.78

Material:

- Piston/rod: Case-hardened steel, ground.
- Body: Free machining steel, nitrocarburized.