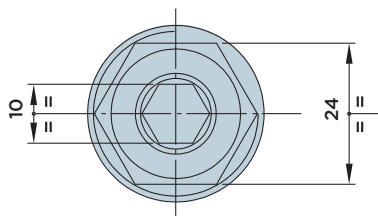
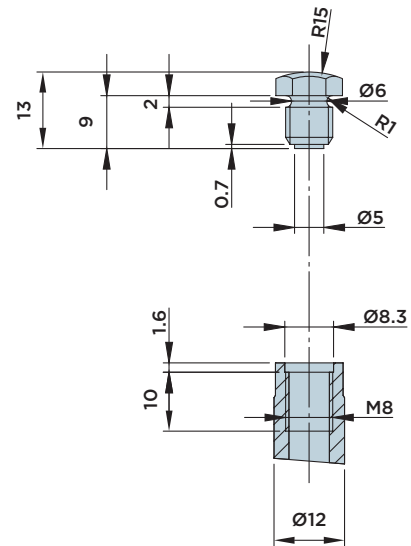
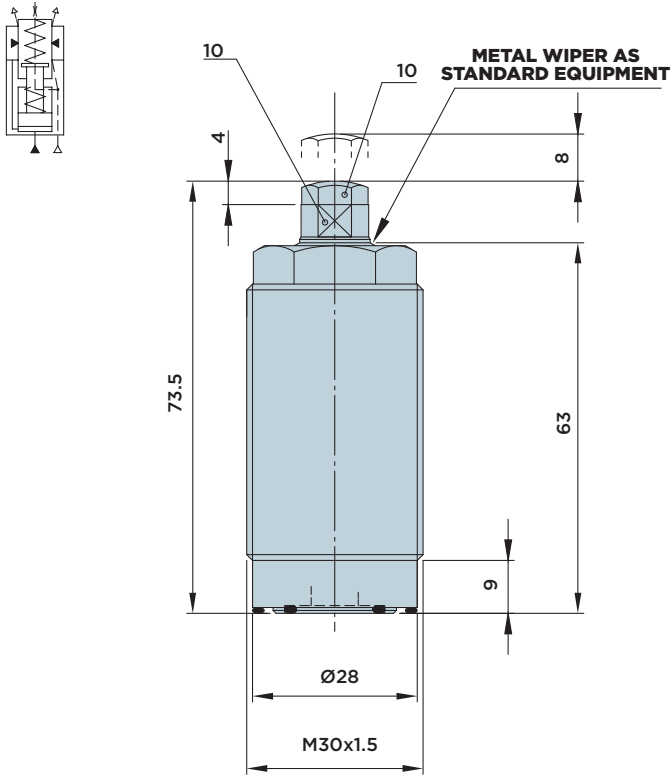


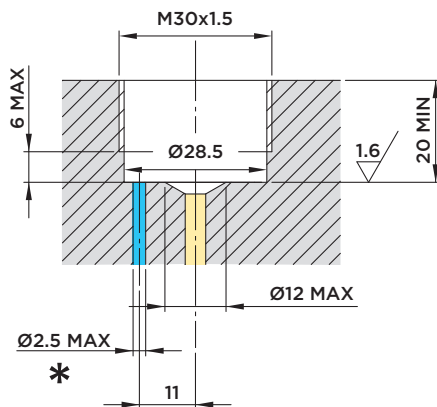
# IRFP 12.70

HYDRAULIC WORK SUPPORT WITH **THREADED BODY**

MAX. OPERATING PRESSURE = 70BAR

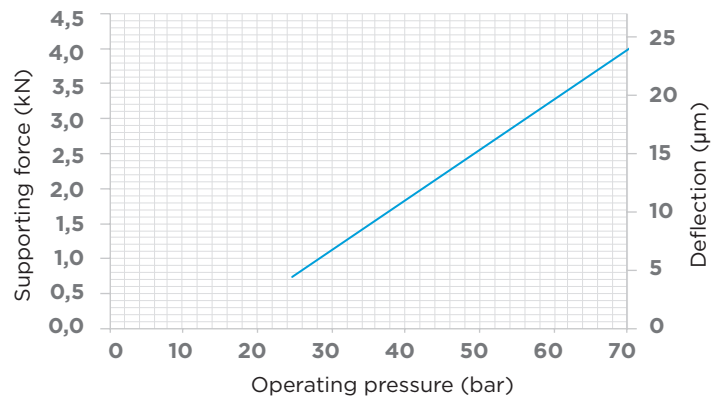


## INSTALLATION DIMENSIONS



\* Pneumatic supply: see page 281.

## FORCE/PRESSURE/DEFLECTION DIAGRAM



### Note:

The maximum admissible flow rate amounts to 1.5 l/min.

### Contact force:

- Standard 10÷16 N
- Upon request 14÷20 (order no. IRFP12.70S)
- Upon request 20÷40 (order no. IRFP12.70H)

### Included in the scope of supply:

- O-Ring Ø14x1.78
- O-Ring Ø25.12x1.78

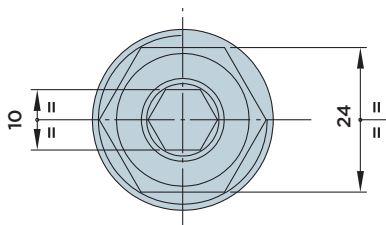
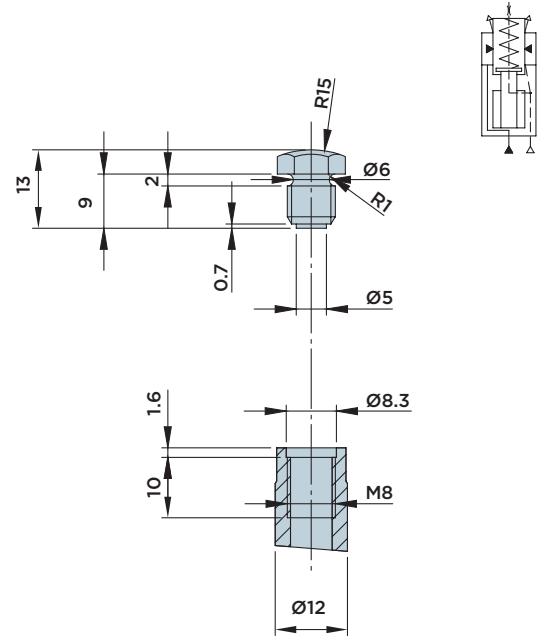
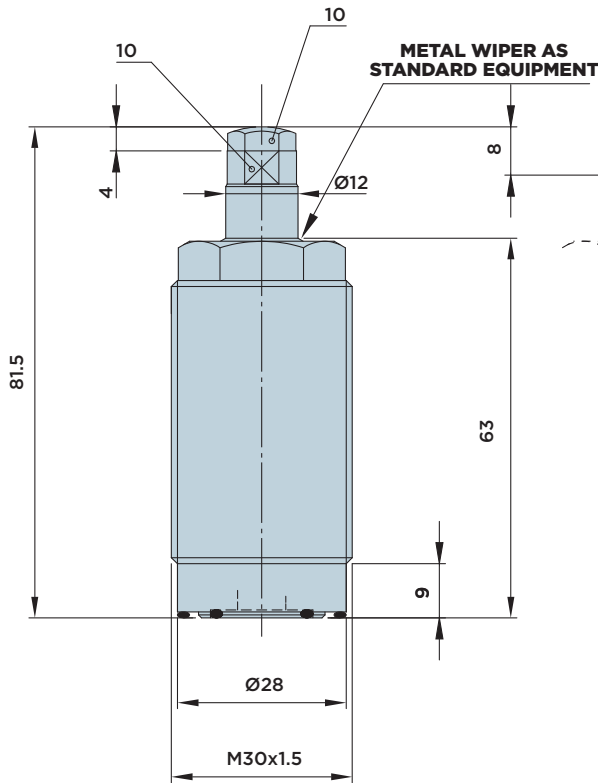
### Material:

- Piston/rod: Case-hardened steel, ground.
- Body: Free machining steel, nitrocarburized.

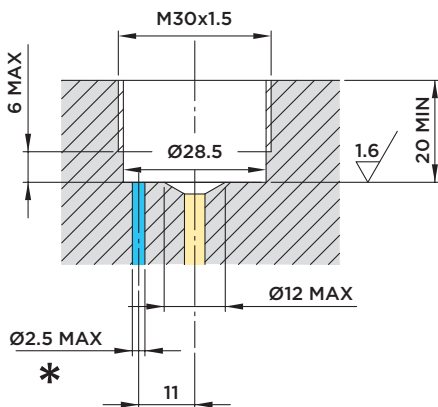
# IRFM 12.70

HYDRAULIC WORK SUPPORT WITH **THREADED BODY**

MAX. OPERATING PRESSURE = 70BAR

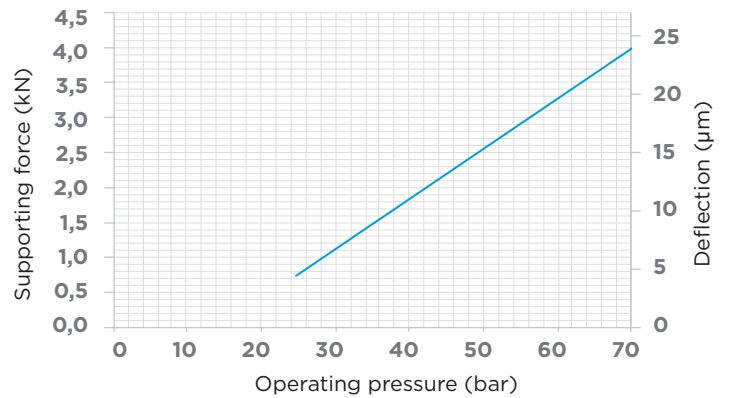


## INSTALLATION DIMENSIONS



\* Pneumatic supply: see page 281.

## FORCE/PRESSURE/DEFLECTION DIAGRAM



### Note:

The maximum admissible flow rate amounts to 1.5 l/min.

### Contact force:

- Standard 10÷16 N
- Upon request 14÷20 (order no. IRFM12.70S)
- Upon request 20÷40 (order no. IRFM12.70H)

### Included in the scope of supply:

- O-Ring Ø14x1.78
- O-Ring Ø25.12x1.78

### Material:

- Piston/rod: Case-hardened steel, ground.
- Body: Free machining steel, nitrocarburized.